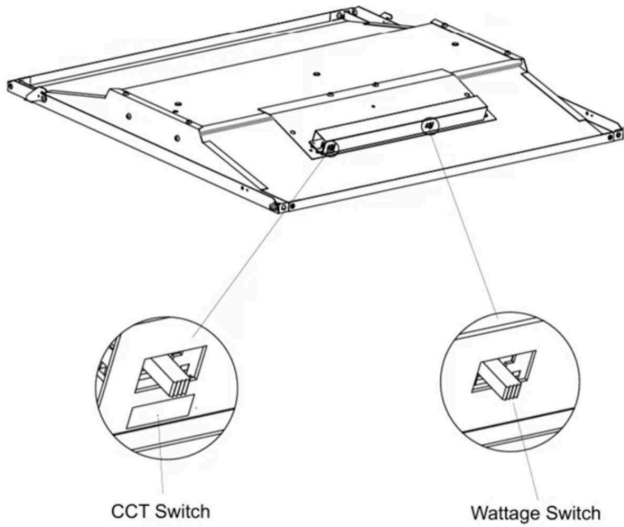
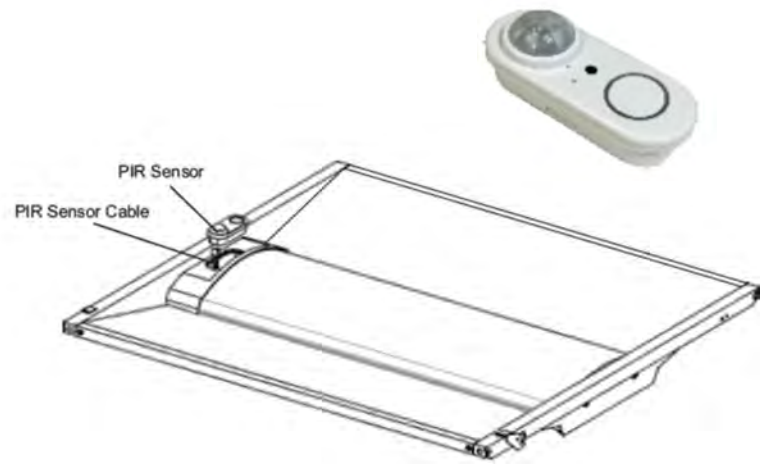


Selection Switches (Troffers and Panels)



Motion Sensor Option (Troffers Only)



LED Troffer Retrofit

- Suitable for 2'x2'h₁₈ and 2'x4' luminaires
- Universal Voltage with 0-10V dimming
- Meets CEC Title 24 JA10
- 3 selectable power levels per Model
- Optional Occupancy Sensor



- Kits completely assembled within frame DLC Listed
- CCT Selectable (3500K-5000K)
- UL 1598C, suitable for dry or damp locations
- 12VDC AUX output
- Compatible with Fulham Emergency Driver FHSCP-UNV-4W-L

Product Models

Model Number	Input Power(W)	Lumens @4000K	Standard CRI	Dimensions (inches)
VTR-22-MU-30-9TW-A	20 / 25 / 30	2640 / 3225 / 3,780	90	23.8 L x 23.8 W x 3.09 H
VTR-24-MU-45-9TW-A	34 / 38 / 45	4488 / 4902 / 5,670	90	47.8 L x 23.8 W x 3.09 H
VTR-14-MU-30-9TW-A	20 / 25 / 30	2640 / 3225 / 3,780	90	23.8 L x 23.8 W x 3.09 H



LED Panel Retrofit

- Suitable for 2'x2'h₁₈ and 2'x4' luminaires
- Universal Voltage with 0-10V dimming
- Meets CEC Title 24 JA10
- 3 selectable power levels per Model

- Kits completely assembled within frame DLC Listed
- CCT Selectable (3500K-5000K)
- UL 1598C, suitable for dry or damp locations
- 12VDC AUX output
- Compatible with Fulham Emergency Driver FHSCP-UNV-4W-L

Product Models

Model Number	Input Power(W)	Lumens @4000K	Standard CRI	Dimensions (inches)
VPR-22-MU-25-9TW-A	18 / 22 / 25	2376 / 2838 / 3150	90	23.8 L x 23.8 W x 2.2 H
VPR-24-MU-36-9TW-A	23 / 30 / 36	3036 / 3870 / 4536	90	47.8 L x 23.8 W x 2.2 H
VPR-14-MU-36-9TW-A	23 / 30 / 36	3036 / 3870 / 4536	90	47.8 L x 23.8 W x 2.2 H

