

SPECIFICATION SHEET : **WHSG2-UNV-T8-IS**

This Is An Original Product From Fulham Co., Inc

Description : WORKHORSE Specifier Grade Series Electronic Ballast, Drop In Replacement for Magnetic Ballast, Parallel Lamp Operation, THD Less Than 10%

This Ballast Will Operate Following Lamps.

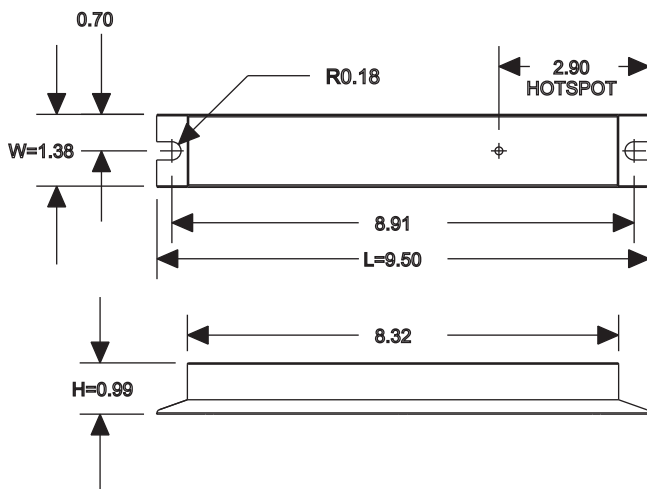


F17T8 / F25T8 / F32T8 / FBO31T8 / F40T8
 F32T8/30W, F32T8/28W, F32T8/25W

ELECTRICAL DATA (With 120 Volt Application)

INPUT VOLT: 120V±10%, 50/60Hz																
LAMP WATTS/TYPE	F17T8	F25T8	F32T8	F40T8	FBO31T8	F32T8/30	F32T8/28	F32T8/25	F17T8	F25T8	F32T8	FBO31T8	F32T8/30	F32T8/28	F32T8/25	
LAMPS OPERATED	1								2							
INPUT WATTS	22.97	28.84	36.96	46.59	35.46	34.11	30.47	30.04	33.52	46.33	60.33	58.17	56.65	50.19	47.25	
LINE CURRENT:	0.194	0.242	0.310	0.390	0.297	0.286	0.255	0.252	0.281	0.388	0.504	0.487	0.474	0.420	0.395	
POWER FACTOR	0.99	0.99	0.99	0.99	0.99	0.99	0.99	0.99	0.99	0.99	0.99	0.99	0.99	0.99	0.99	
BALLAST FACTOR	0.95	1.03	1.01	1.06	1.03	1.02	0.96	0.98	0.95	0.91	0.90	0.91	0.90	0.86	0.95	
EFFICACY FACTOR	4.12	3.56	2.72	2.27	2.90	2.98	3.16	3.25	2.84	1.96	1.50	1.56	1.60	1.71	2.01	
THD	10.1%	9.7%	7.6%	7.0%	8.5%	8.2%	8.8%	8.6%	8.8%	7.2%	6.1%	7.1%	6.2%	6.7%	6.8%	
CURRENT CREST FACTOR																
EMI/RFI COMPLIANCE	FCC PART 18-A (NON-CONSUMER)															
SOUND RATING	"A"															
BALLAST TYPE	INSTANT START															
VOLTAGE TRANSIENTS	ANSI C82.11 - 1993															
INPUT/PROTECTION	FUSE															
OUTPUT/PROTECTION	-															
MIN STARTING TEMP	-18°C (0°F)															
MAX CASE TEMP	70°C (158°F)															
TYPE "HL" APPROVAL	APPROVED FOR HAZARDOUS LOCATION															
ENERGY STAR 4.0	-															
APPROVALS/CLASS	UL/cUL LISTED, CLASS "P", 1 OUTDOOR															

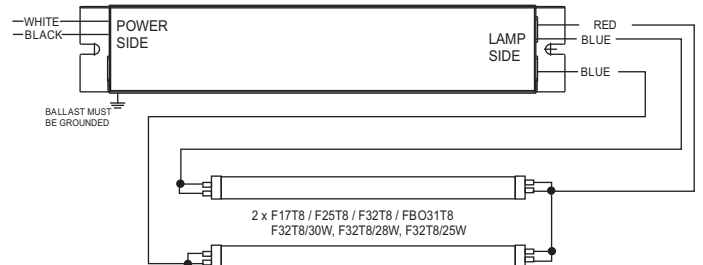
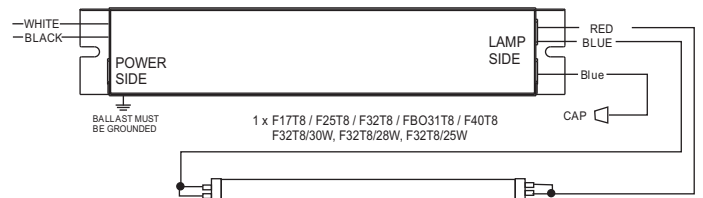
MECHANICAL DATA



Where : L = Length, W = Width, H = Height

WIRING DIAGRAMS

WIRE	BLACK	WHITE	RED	BLUE	YELLOW	BROWN
LENGTH - INCHES	24 ± 1"	24 ± 1"	46 ± 1"	32 ± 1"		



NOTE : This Ballast Case Must Be Grounded

SPECIFICATION SHEET : **WHSG2-UNV-T8-IS**

This Is An Original Product From Fulham Co., Inc

Description : WORKHORSE Specifier Grade Series Electronic Ballast, Drop In Replacement for Magnetic Ballast, Parallel Lamp Operation, THD Less Than 10%

This Ballast Will Operate Following Lamps.

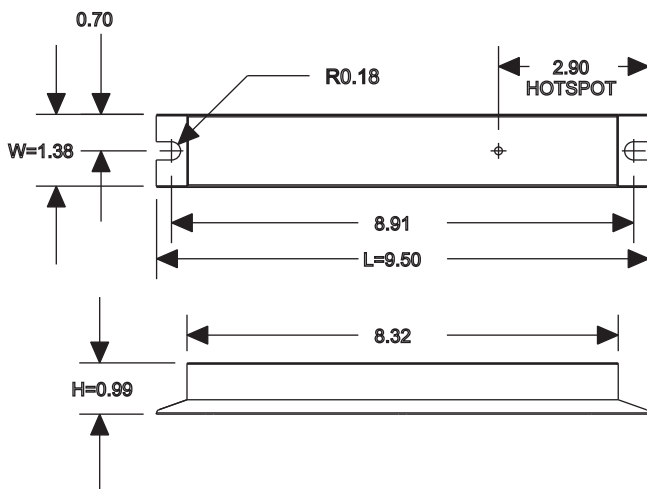


F17T8 / F25T8 / F32T8 / FBO31T8 / F40T8
 F32T8/30W, F32T8/28W, F32T8/25W

ELECTRICAL DATA (With 230 Volt Application)

INPUT VOLT: 230V ± 10% 50/60Hz																
LAMP WATTS/TYPE	F17T8	F25T8	F32T8	F40T8	FBO31T8	F32T8/30	F32T8/28	F32T8/25	F17T8	F25T8	F32T8	FBO31T8	F32T8/30	F32T8/28	F32T8/25	
LAMPS OPERATED	1								2							
INPUT WATTS	22.26	30.11	36.53	43.24	35.23	34.14	31.11	28.42	34.27	47.64	60.48	56.45	54.28	50.24	47.03	
LINE CURRENT:	0.101	0.134	0.161	0.190	0.156	0.151	0.138	0.127	0.152	0.209	0.265	0.248	0.238	0.221	0.207	
POWER FACTOR	0.96	0.98	0.98	0.99	0.98	0.98	0.98	0.98	0.98	0.99	0.99	0.99	0.99	0.99	0.99	
BALLAST FACTOR	1.12	1.12	1.06	1.04	1.05	1.04	1.02	1.04	0.98	0.96	0.89	0.92	0.91	0.89	0.95	
EFFICACY FACTOR	5.01	3.71	2.89	2.40	2.99	3.06	3.27	3.67	2.86	2.01	1.48	1.62	1.67	1.76	2.03	
THD	9.3%	7.8%	7.0%	6.4%	7.1%	7.5%	7.7%	7.7%	7.4%	6.3%	6.5%	7.3%	6.7%	6.2%	6.3%	
CURRENT CREST FACTOR																
EM/RFI COMPLIANCE	FCC PART 18-A (NON-CONSUMER)															
SOUND RATING	"A"															
BALLAST TYPE	INSTANT START															
VOLTAGE TRANSIENTS	ANSI C82.11 - 1993															
INPUT/PROTECTION	FUSE															
OUTPUT/PROTECTION	-															
MIN STARTING TEMP	-18°C (0°F)															
MAX CASE TEMP	70°C (158°F)															
TYPE "HL" APPROVAL	APPROVED FOR HAZARDOUS LOCATION															
ENERGY STAR 4.0	-															
APPROVALS/CLASS	UL/UL LISTED, CLASS "P", 1 OUTDOOR															

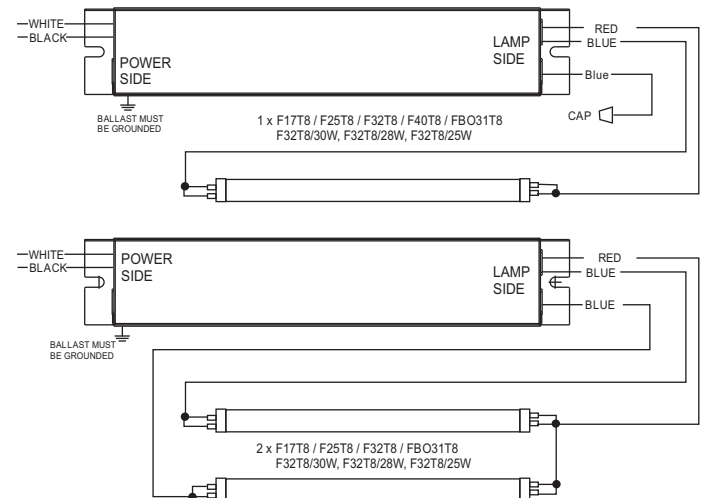
MECHANICAL DATA



Where : L = Length, W = Width, H = Height

WIRING DIAGRAMS

WIRE	BLACK	WHITE	RED	BLUE	YELLOW	BROWN
LENGTH - INCHES	24 ± 1"	24 ± 1"	46 ± 1"	32 ± 1"		



NOTE : This Ballast Case Must Be Grounded

SPECIFICATION SHEET : **WHSG2-UNV-T8-IS**

This Is An Original Product From Fulham Co., Inc

Description : WORKHORSE Specifier Grade Series Electronic Ballast, Drop In Replacement for Magnetic Ballast, Parallel Lamp Operation, THD Less Than 10%

This Ballast Will Operate Following Lamps.

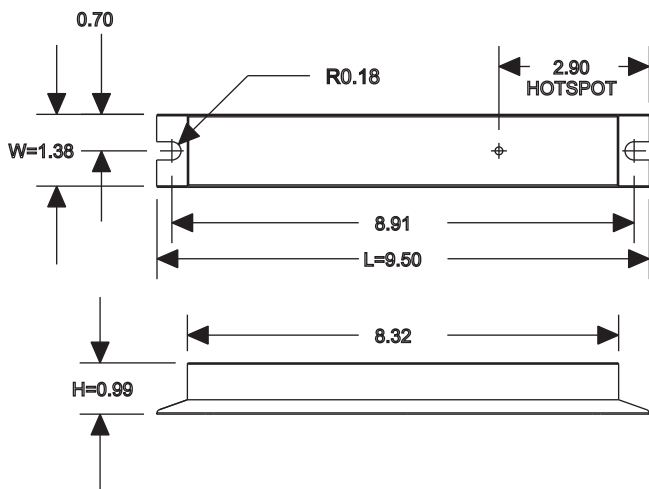


F17T8 / F25T8 / F32T8 / FBO31T8 / F40T8
 F32T8/30W, F32T8/28W, F32T8/25W

ELECTRICAL DATA (With 277 Volt Application)

INPUT VOLT: 277V ± 10% 50/60Hz																
LAMP WATTS/TYPE	F17T8	F25T8	F32T8	F40T8	FBO31T8	F32T8/30	F32T8/28	F32T8/25	F17T8	F25T8	F32T8	FBO31T8	F32T8/30	F32T8/28	F32T8/25	
LAMPS OPERATED	1								2							
INPUT WATTS	23.24	28.79	36.52	45.40	34.97	34.24	30.60	30.61	33.27	45.47	58.43	56.33	55.11	49.29	45.08	
LINE CURRENT	0.091	0.110	0.136	0.168	0.130	0.128	0.115	0.116	0.124	0.168	0.214	0.206	0.202	0.181	0.166	
POWER FACTOR	0.92	0.94	0.97	0.97	0.97	0.96	0.96	0.95	0.96	0.97	0.99	0.99	0.98	0.98	0.98	
BALLAST FACTOR	0.95	1.03	1.01	1.05	1.03	1.03	0.98	1.01	0.96	0.91	0.90	0.91	0.91	0.86	0.91	
EFFICACY FACTOR	4.08	3.57	2.75	2.31	2.93	3.02	3.19	3.29	2.88	2.01	1.55	1.62	1.64	1.74	2.03	
THD	14.6%	12.2%	8.0%	6.2%	9.5%	8.4%	10.4%	10.2%	10.0%	6.3%	6.0%	5.6%	5.9%	6.0%	6.1%	
CURRENT CREST FACTOR																
EM/RFI COMPLIANCE	FCC PART 18-A (NON-CONSUMER)															
SOUND RATING	"A"															
BALLAST TYPE	INSTANT START															
VOLTAGE TRANSIENTS	ANSI C82.11 - 1993															
INPUT/PROTECTION	FUSE															
OUTPUT/PROTECTION	-															
MIN. STARTING TEMP	- 18°C (0°F)															
MAX. CASE TEMP	70°C (158°F)															
TYPE "HL" APPROVAL	APPROVED FOR HAZARDOUS LOCATION															
ENERGY STAR 4.0	-															
APPROVALS/CLASS	UL/cUL LISTED, CLASS "P", 1 OUTDOOR															

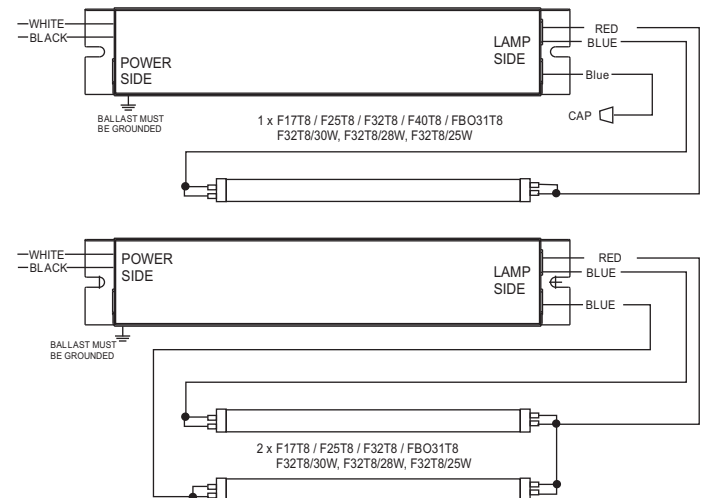
MECHANICAL DATA



Where : L = Length, W = Width, H = Height

WIRING DIAGRAMS

WIRE	BLACK	WHITE	RED	BLUE	YELLOW	BROWN
LENGTH - INCHES	24 ± 1"	24 ± 1"	46 ± 1"	32 ± 1"		



NOTE : This Ballast Case Must Be Grounded