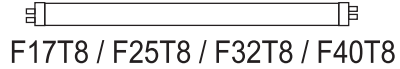


WHCG4-277-T8-IS

Instant Start Fluorescent Ballast

- Solid State Electronic Ballast
- Input Voltage: 277VAC ±10%, 50/60Hz
- Instant Start
- UL / cUL Listed, Class P

This Ballast Will Operate The Following Lamps:



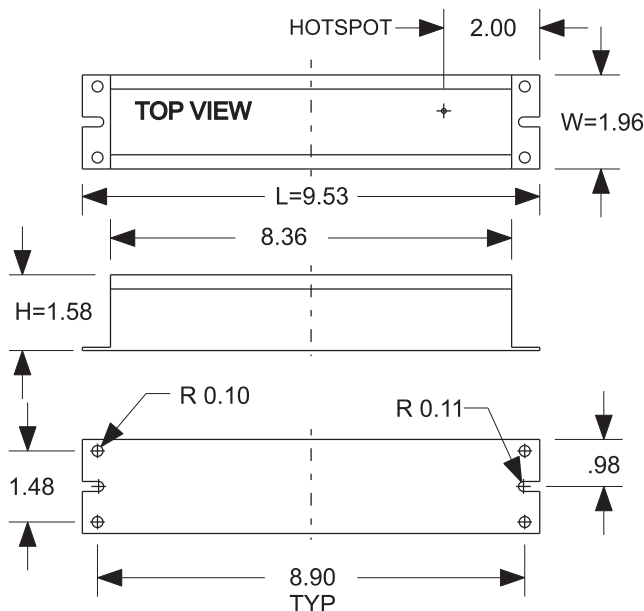
General Specifications

Input Voltage	277VAC ±10%, 50 / 60Hz
Current Crest Factor	<1.7
Lamps Operated	3 or 4 Lamp
EMI / RFI Compliance	FCC Part 18-A
Sound Rating	" A "
Ballast Type	Instant Start
Voltage Transients	ANSI C82.11 - 1993
Input Protection	Fuse
Output Protection	EOL
Min. Operating Temp	-18°C (0°F)
Max. Case Temp	70°C (158°F)
Type "HL" Approval	Approved For Hazardous Location
Approvals Class	UL / cUL Listed, Class "P", 1 Outdoor
Warranty	5 Years from the date of manufacture when properly installed

Electrical Data @277VAC

Lamp Wattage / Type	Lamps Operated	Input Wattage	Line Current	Power Factor	Ballast Factor	Efficacy Factor	THD
F25T8	3	76	0.28	>0.9	1.06	1.395	<20%
F32T8	3	92	0.34	>0.9	0.974	1.058	<20%
F40T8	3	114	0.42	>0.9	0.978	0.857	<20%
F17T8	4	61	0.24	>0.9	0.952	1.561	<20%
F25T8	4	90	0.33	>0.9	0.969	1.077	<20%
F32T8	4	110	0.40	>0.9	0.894	0.813	<20%

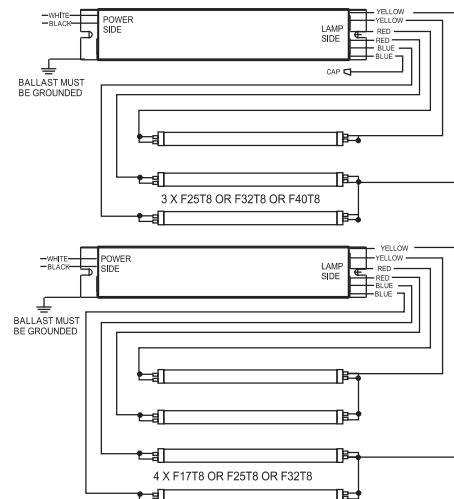
Mechanical Data



Where : L = Length, W = Width, H = Height

Wiring Diagram

Wire Color	Length (inches)	Wire Color	Length (inches)
Black	24" ±1"	Red	48" ±1"
White	24" ±1"	Blue	32" ±1"



Note: This ballast case must be grounded