

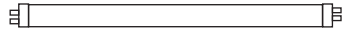
Discontinued
 Contact Fulham for availability. Not for use in new designs.

SPECIFICATION SHEET : WHCG3-120-T8-IS

This Is An Original Product From Fulham Co., Inc

Description : WORKHORSE Commercial Grade Series Electronic Ballast, Drop In Replacement for Magnetic Ballast, Parallel Lamp Operation, THD Less Than 10%

This Ballast Will Operate Following Lamps.



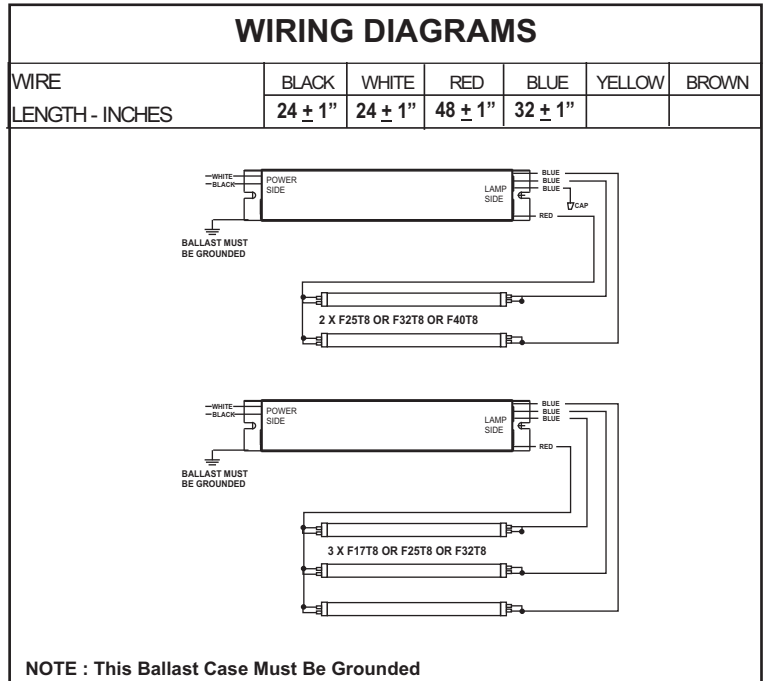
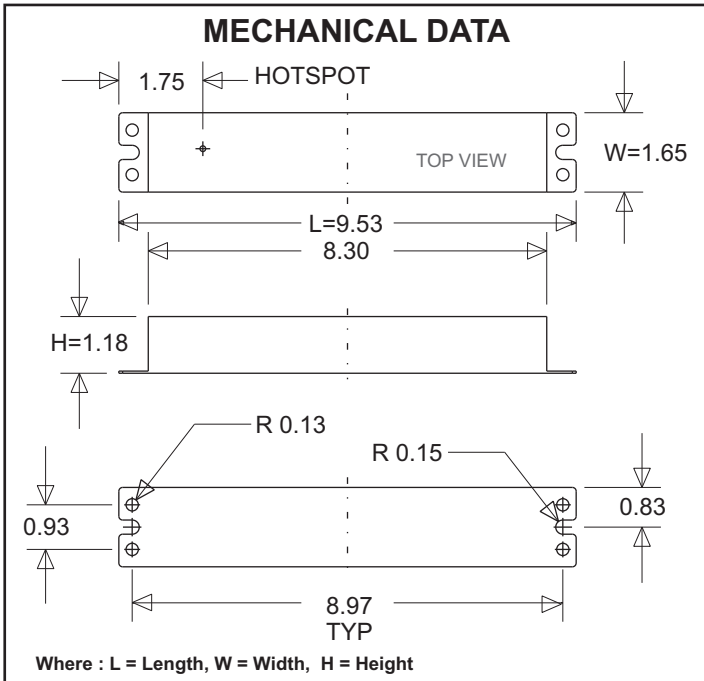
F17T8 / F25T8 / F32T8 (25/28/32W) / F40T8



FBO16T8 / FBO24T8 / FBO31T8

ELECTRICAL DATA (With 120V Application)

INPUT VOLT: 120V ± 10%, 50/60Hz										
LAMP WATTS/TYPE	F40T8	F32T8	F32T8(30W)	F32T8(28W)	F32T8(25W)	FBO31T8	F25T8	FBO24T8	F17T8	FBO16T8
LAMPS OPERATED	1	3								
INPUT WATTS	47	83	77	70	65	80	63	61	47	41
LINE CURRENT:	0.40	0.70	0.65	0.59	0.55	0.67	0.53	0.51	0.40	0.35
POWER FACTOR	0.99	0.99	0.99	0.99	0.99	0.99	0.99	0.99	0.99	0.99
BALLAST FACTOR	1.10	0.86	0.85	0.82	0.87	0.82	0.86	0.81	0.93	0.79
EFFICACY FACTOR	2.34	1.03	1.10	1.18	1.34	1.03	1.35	1.33	1.96	1.92
THD	7.0%	7.8%	7.3%	6.9%	7.1%	7.4%	7.1%	6.8%	6.8%	6.0%
CURRENT CREST FACTOR	< 1.7									
EMI/RFI COMPLIANCE	FCC PART 18-A (Non-Consumer)									
SOUND RATING	"A"									
BALLAST TYPE	INSTANT START									
VOLTAGE TRANSIENTS	ANSI C82.11 - 1993									
INPUT/PROTECTION	FUSE									
OUTPUT/PROTECTION	EOL									
MIN. OPERATING TEMP	-18°C (0°F)									
TYPE "HL" APPROVAL	APPROVED FOR HAZARDOUS LOCATION									
MAX. CASE TEMP	70°C (158°F)									
ENERGY STAR 4.0	-									
APPROVALS/CLASS	UL /cUL LISTED, CLASS " P ", 1 OUTDOOR									



Fulham extends a limited warranty only to the original purchaser or to the first user for a period of 5 years from the date of manufacture when properly installed and operated under normal conditions of use. For complete terms and conditions, please reference the Fulham product catalog (www.fulham.com)
Due to a program of continuous improvement, Fulham reserves the right to make modifications or variations in design or construction to the equipment described.

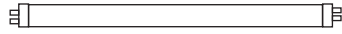
Discontinued
 Contact Fulham for availability. Not for use in new designs.

SPECIFICATION SHEET : WHCG3-120-T8-IS

This Is An Original Product From Fulham Co., Inc

Description : WORKHORSE Commercial Grade Series Electronic Ballast, Drop In Replacement for Magnetic Ballast, Parallel Lamp Operation, THD Less Than 10%

This Ballast Will Operate Following Lamps.



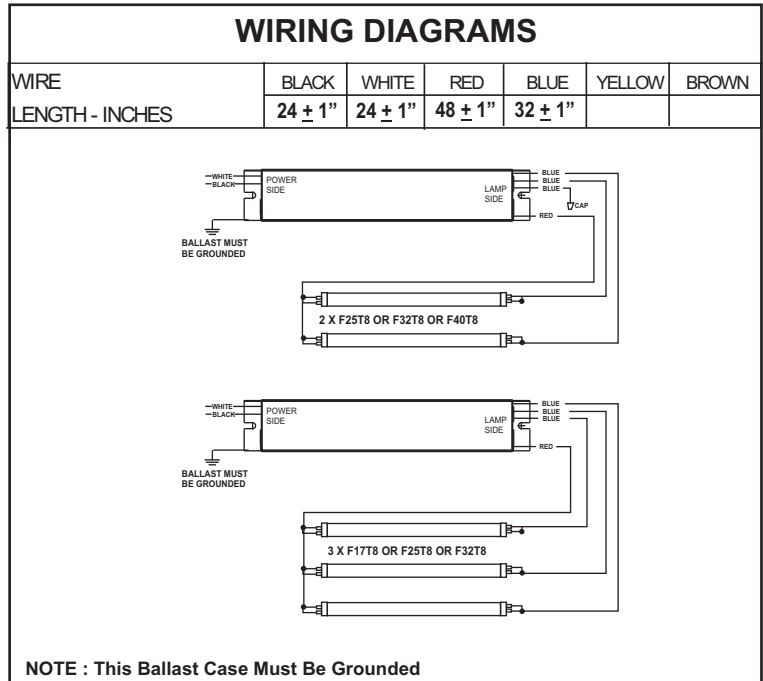
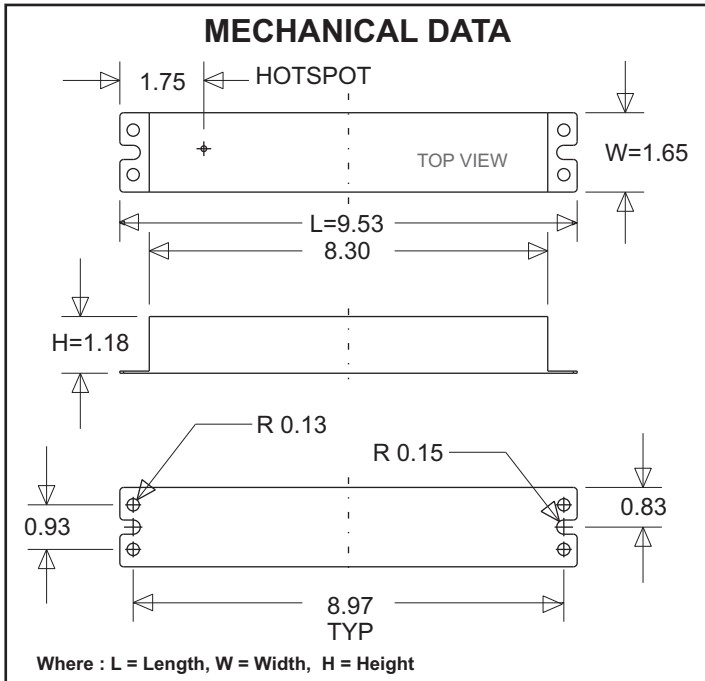
F17T8 / F25T8 / F32T8 (25/28/32W) / F40T8



FBO16T8 / FBO24T8 / FBO31T8

ELECTRICAL DATA (With 120V Application)

INPUT VOLT: 120V ± 10%, 50/60Hz										
LAMP WATTS/TYPE	F40T8	F32T8	F32T8(30W)	F32T8(28W)	F32T8(25W)	FBO31T8	F25T8	FBO24T8	F17T8	FBO16T8
LAMPS OPERATED	2									
INPUT WATTS	77	63	58	53	50	60	48	47	36	32
LINE CURRENT:	0.64	0.53	0.49	0.45	0.42	0.51	0.41	0.40	0.31	0.29
POWER FACTOR	0.99	0.99	0.99	0.99	0.99	0.99	0.99	0.99	0.98	0.98
BALLAST FACTOR	0.95	0.96	0.95	0.93	0.97	0.92	0.95	0.90	1.02	0.85
EFFICACY FACTOR	1.24	1.53	1.63	1.75	1.96	1.52	1.97	1.93	2.81	2.67
THD	7.3%	7.1%	6.1%	5.6%	5.6%	6.8%	6.2%	6.7%	7.2%	5.3%
CURRENT CREST FACTOR	< 1.7									
EMI/RFI COMPLIANCE	FCC PART 18-A (Non-Consumer)									
SOUND RATING	"A"									
BALLAST TYPE	INSTANT START									
VOLTAGE TRANSIENTS	ANSI C82.11 - 1993									
INPUT/PROTECTION	FUSE									
OUTPUT/PROTECTION	EOL									
MIN. OPERATING TEMP	-18°C (0°F)									
TYPE "HL" APPROVAL	APPROVED FOR HAZARDOUS LOCATION									
MAX. CASE TEMP	70°C (158°F)									
ENERGY STAR 4.0	-									
APPROVALS/CLASS	UL /cUL LISTED, CLASS " P ", 1 OUTDOOR									



Fulham extends a limited warranty only to the original purchaser or to the first user for a period of 5 years from the date of manufacture when properly installed and operated under normal conditions of use. For complete terms and conditions, please reference the Fulham product catalog (www.fulham.com)
Due to a program of continuous improvement, Fulham reserves the right to make modifications or variations in design or construction to the equipment described.