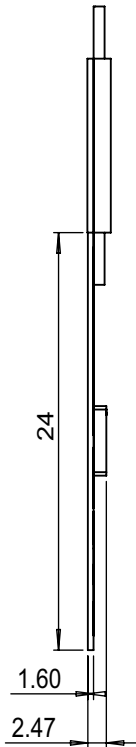
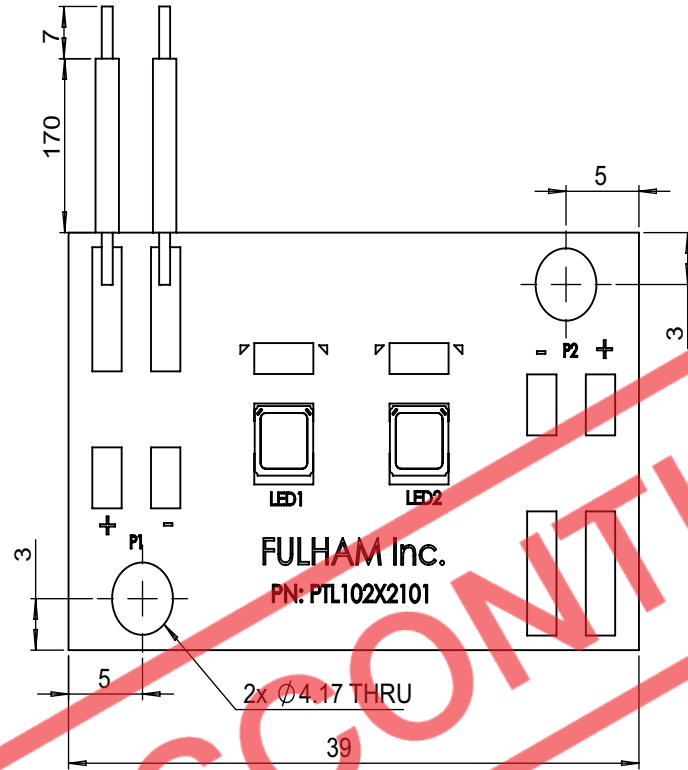


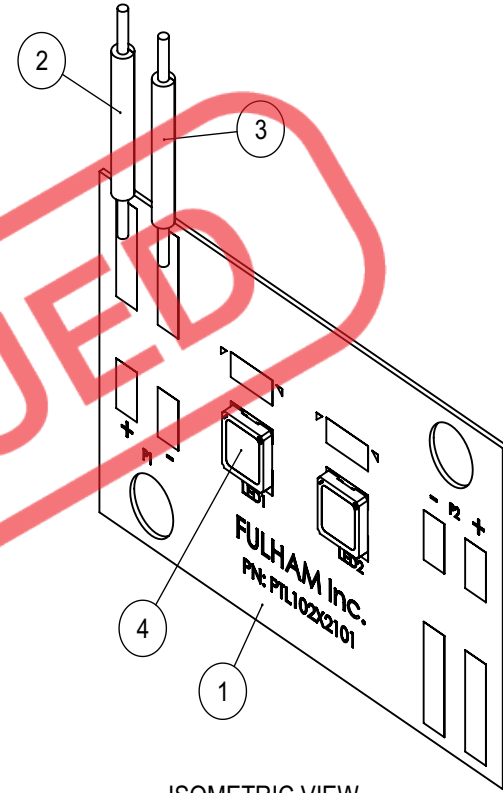
REVISIONS				
ZONE	REV.	DESCRIPTION	DATE	APPROVED
	1.0	INITIAL RELEASE		



SIDE VIEW



TOP VIEW



ISOMETRIC VIEW  
SCALE 3:1

DISCONTINUED

FULHAM Inc.  
PN: PTL102X2101

FULHAM Inc.  
PN: PTL102X2101

General Table			
ITEM	DESIGNATION	DESCRIPTION	QTY
1	-	PCB BOARD	1
2	P1 (+)	Red Stranded Hook-Up Wire, 22 AWG, 170 mm (including 7mm on Left end for wire stripping)	1
3	P1 (-)	Blue Stranded Hook-Up Wire, 22 AWG, 170 mm (including 7mm on Left end for wire stripping)	1
4	LED1, LED2	LED	2

CCT Matrix:	
xx	CCT
65	6020 - 7040K
57	5310 - 6020K
50	4745 - 5310K
45	4260 - 4745K
40	3710 - 4260K
35	3200 - 3710k
30	2870 - 3200K
27	2580 - 2870K

APPROVALS	DATE	 <small>12705 S. Van Ness Ave. Hawthorne, CA 90250 tel.: 1-323-779-2980, fax: 1-323-754-9060</small>	
DRAWN EDWIN REYES	12/06/2012		
CHKD MONICA ALEMAN	12/06/2012		
ENGR ALVARO GARCIA	12/06/2012		
UNLESS OTHERWISE SPECIFIED DIMENSIONS ARE IN MILLIMETERS		TITLE	
		2 LED Linear Module (24x39mm, 350 mA CC)	
PART NO.	SIZE	DWG NO.	REV.
	B	TM02LN40XX-001	1.0

THIS DRAWING IS THE PROPERTY OF FULHAM Co., INC AND CONTAINS PRIVILEGED OR CONFIDENTIAL INFORMATION. YOU WILL NOT DISCLOSE, USE, DISSEMINATE, DISTRIBUTE OR COPY THIS DRAWING FOR PURPOSES OTHER THAN WHAT IT IS INTENDED FOR.

DO NOT SCALE PRINT

FROM	SCALE	SHEET
	3:1	1 OF 1