

**TC12300350-6L**  
**SPECIFICATION SHEET : TC12300700-6L**

**Description :** Independent direct current power supply for LED Modules. Power output up to 6W.

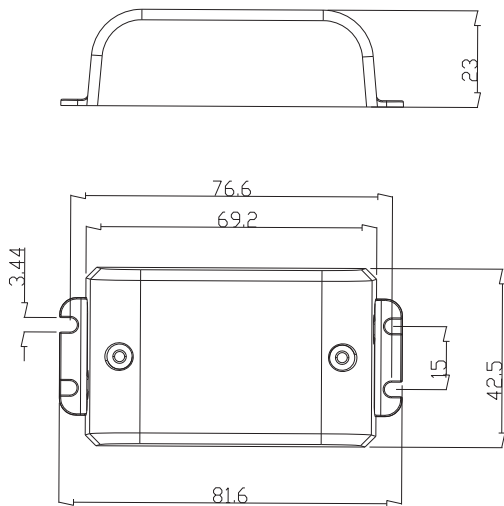
**This Driver Will Operate Following LED Modules:**

**Any model designed to accept 350mA, Constant current with voltage of 3-16V (Min. load-1W)**  
**Any model designed to accept 700mA, Constant current with voltage of 3-8V (Min. load-2W)**

**ELECTRICAL DATA**

	TC12300350-6L	TC12300700-6L
INPUT VOLTAGE	220-240, 50/60Hz	
POWER FACTOR	> 0.5	
EFFICIENCY	80% (Typ.)	
CURRENT PROTECTION	Yes	
CONSTANT CURRENT, VOLTAGE OR POWER	Constant Current	
OUTPUT CURRENT	350mA	700mA
OUTPUT VOLTAGE	3-16V	3-8V
OUTPUT SHORT CIRCUIT PROTECTION	Yes	
OUTPUT OPEN CIRCUIT PROTECTION	Yes	
OUTPUT TO GROUND SHORT PROTECTION	Yes	
OVER LOAD PROTECTION	Yes	
APPROVALS/CLASS	CE, SELV, CLASS II	
EMI	EN55015	
MAX. CASE HOT SPOT TEMPERATURE	75°C	
MIN. LAMP STARTING TEMPERATURE	-15°C	
MAX. POSSIBLE AMBIENT TEMPERATURE	45°C	
OVER TEMPERATURE PROTECTION	Yes	

**MECHANICAL DATA**



**Note:** Measurements are in millimeters  
**Where :** L = Length, W = Width, H = Height

**WIRING DIAGRAMS**

