



T4N4UNV024V-100K,
T4N4UNV024V-100B



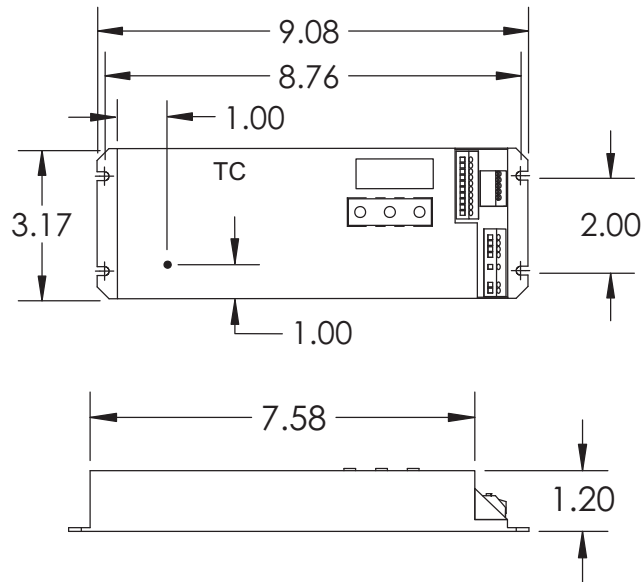
100W LED POWER SUPPLY

- Integrated DMX-RDM and DALI control
- Up to 4 DALI or DMX channels available
- 4 constant voltage, independent output channels
- 120-277V Application
- Operates any LED module designed to accept constant voltage input up for rated driver output (e.g. 24V)
- UL Recognized (E342838)
- Surge Rating: 3kV (L-N), 4kV (L/N-GRD)

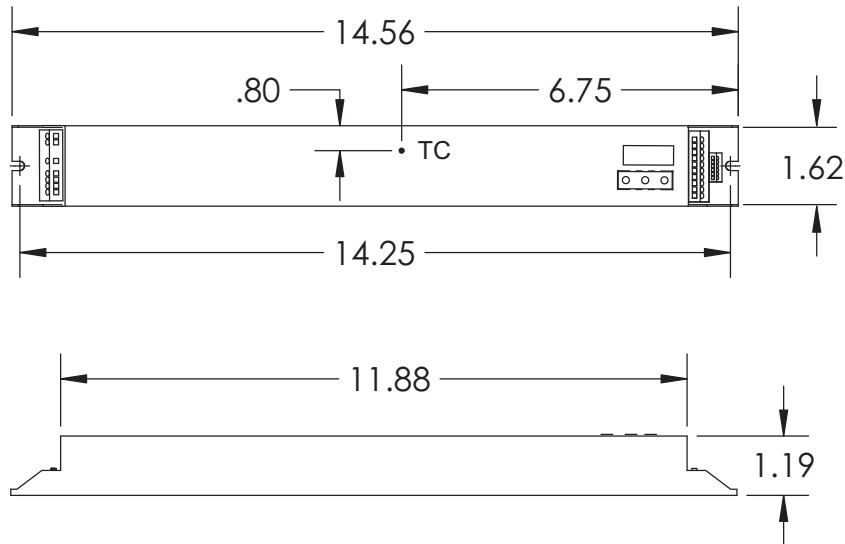
General Specifications

Input Voltage	120-277V ± 10%; 50/60 Hz		
Input Current	1.05A @ 120V	0.5A @ 230V	0.45A @ 277V
Input PF	>0.99 @ 120V	>0.98 @ 230V	>0.94 @ 277V
THD	<10% @ Max load		
Output Voltage	24V		
Output Current (Class 2)	1.05A/channel		
Output Current (Non-Class 2)	N/A		
Output Short Circuit Protection	Yes		
Output Open Circuit Protection	Yes		
Output to Ground Short Protection	Yes		
Overload Protection	Yes		
Thermal Protection Limit	110°C (-100B), 120°C(-110K)		
Max. Case Hot Spot Temperature	85°C / 185°F		
Min. Operating Temperature	-20°C / -4°F		
Operating Ambient Temperature Range (Max.)	50°C / 122°F		
Efficiency	89% @ Max load		
Dimming Controller Type	DALI and DMX512A-RDM		
Number of Control Channels	4		
Safety/Compliance	cULus: E342838 Surge Protection: 3kV(L-N), 4kV (L/N-GRD)		
RFI/EMI	FCC Class B, EN55015, EN 55022		
Warranty	5 years from date of manufacture		

Mechanical Drawings: T4N4UNV024V-100B



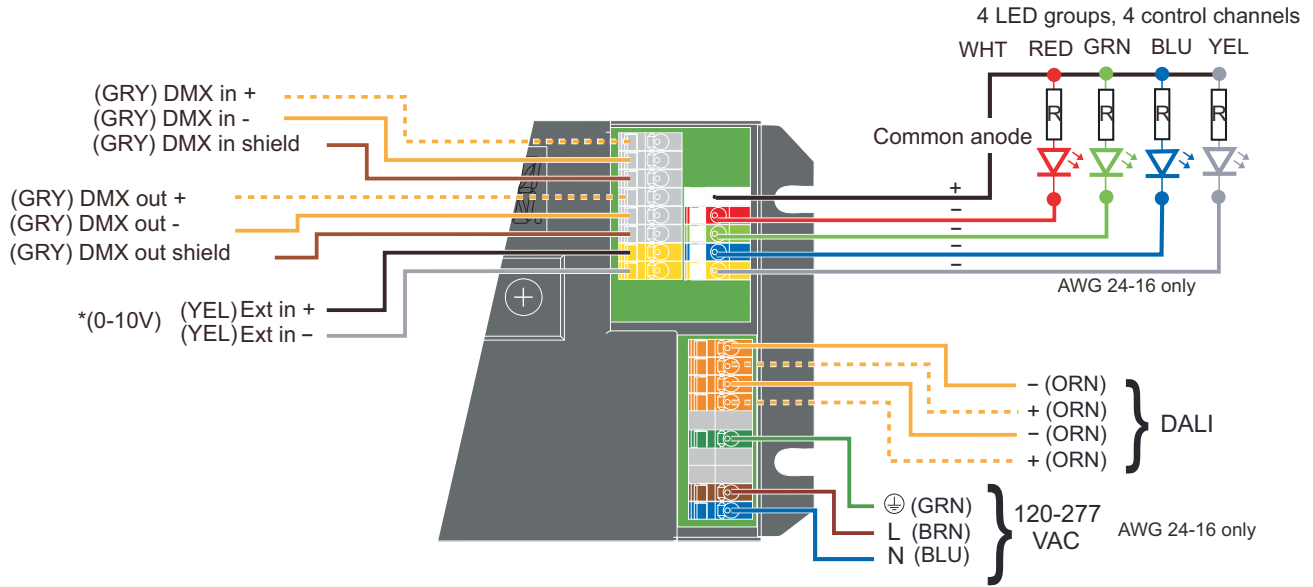
(T4N4UNV024V-100K)



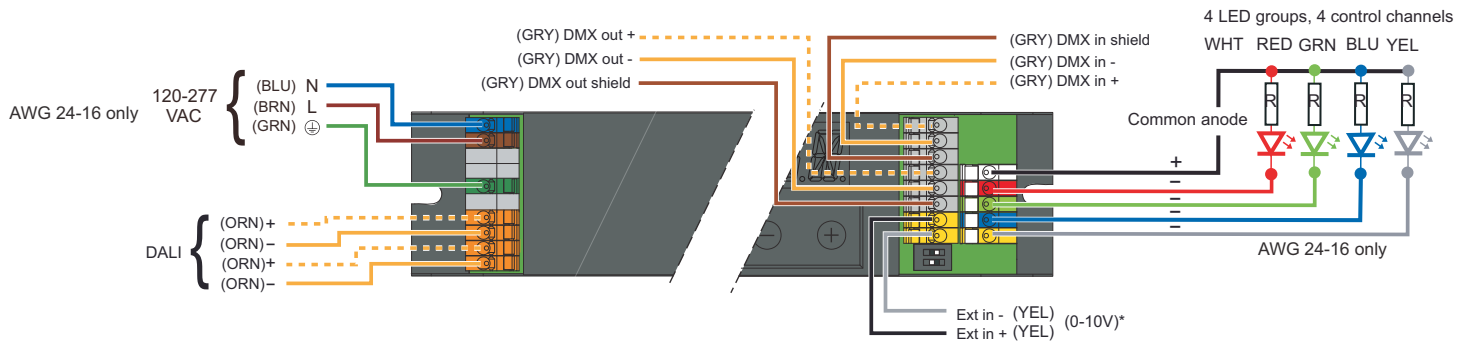
NOTES:

1) Where : L = Length, W = Width, H = Height

Wiring Diagram: T4N4UNV024V-100B



(T4N4UNV024V-100K)



NOTES:

* Current source devices only (ESTA E1.3)