

SPECIFICATION SHEET : T1UNV1400-60L

This Is An Original Product From Fulham Co., Inc

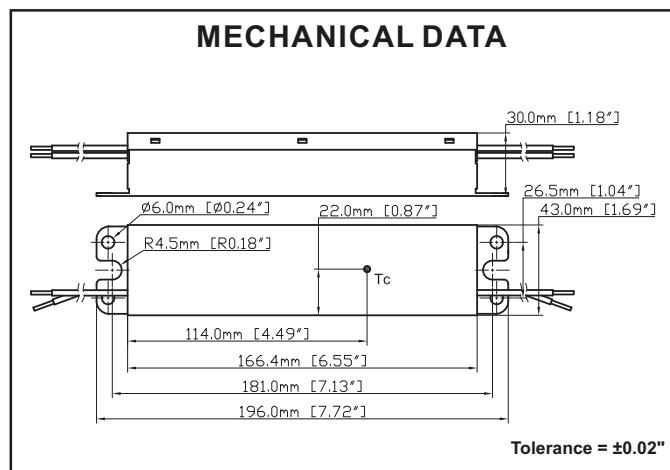
Description: 1.4A, 60W Constant Current LED Driver. Universal Input Voltage Range 120-277VAC. One 1.4A Independent, Constant Current Output Channel.

Compatible LED Modules:
Any LED module designed to accept constant current input up to 1.4A and has a voltage range between 19-43VDC.

ELECTRICAL DATA

Input Voltage	120-277VAC, 50/60Hz
Input Current	0.58A@120V, 0.25A@277V
Input Power	70W
Power Factor	>0.9
THD	<20%
Driver Type	Constant Current
Output Current	1.4A
Output Voltage Range	19-43VDC
Output Wattage	60W
Number of Output Channels	1
RFI/EMI	FCC PART 15B CONSUMER, EN55015
Output Type	CLASS 2
Ambient Operating Temperature Range	-20°C to 61°C
Max Case Temperature at Tc	90°C
Sound Rating	A
Input Surge Protection	Line-Neutral 2kV, Line & Neutral-Ground 4kV
Protections	Input Current Protection
	Output Short Circuit Protection
	Output Open Circuit Protection
	Output To Ground Short Protection
	Overload Protection
Expected Service Life	5 YEARS
Approvals / Class	cURus LISTED, RoHS; CE

MECHANICAL DATA



WIRING DIAGRAMS

INPUT SIDE	LENGTH	OUTPUT SIDE	LENGTH
WHITE	330mm [13"]	RED	330mm [13"]
BLACK	330mm [13"]	BLUE	330mm [13"]



Fulham extends a limited warranty only to the original purchaser or to the first user for a period of 5 years from the date of manufacture when properly installed and operated under normal conditions of use. For complete terms and conditions, please reference the Fulham product catalog (www.fulham.com)
Due to a program of continuous improvement, Fulham reserves the right to make modifications or variations in design or construction to the equipment described. © Fulham Company Limited, All Rights Reserved.