

This Is An Original Product From Fulham Co., Inc

RoHS COMPLIANT IP64

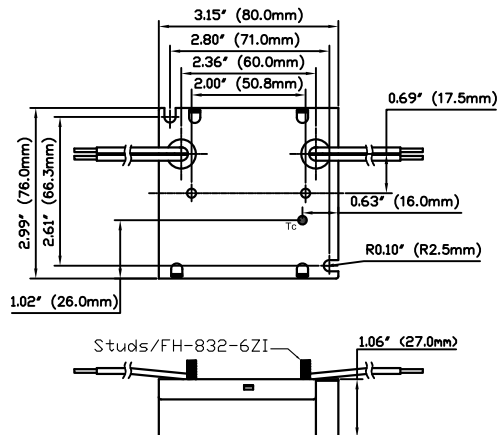
Description: 700mA, 28W Constant Current LED Driver. Universal input range of 100-277V. One, 700mA independent, constant current output channel.

This Driver Will Operate The Following LED Modules:
 Any LED module designed to accept constant current input of at least 700mA and has a forward voltage range of 12-40VDC.

ELECTRICAL DATA

INPUT VOLTAGE	100-277Vac, 50/60Hz
INPUT CURRENT (MAX)	350mA @ 100Vac, 130mA @ 277Vac
POWER FACTOR (PF)	> 0.9
THD	<20%
EFFICIENCY	84% Typical @ 120V/60Hz Full Load
DRIVE METHOD	Constant Current
OUTPUT CURRENT	700mA
OUTPUT VOLTAGE RANGE	12-40Vdc
OUTPUT WATTAGE	28W Max.
NUMBER OF OUTPUT CHANNELS	1
RFI/EMI	FCC PART 15B CONSUMER
SOUND RATING	A
CIRCUIT PROTECTIONS	SURGE PROTECTION
	CURRENT PROTECTION
	OUTPUT SHORT CIRCUIT PROTECTION
	OUTPUT OPEN CIRCUIT PROTECTION
	OUTPUT TO GROUND SHORT PROTECTION
	OVER LOAD PROTECTION
MAX. CASE HOT SPOT TEMPERATURE	90°C
AMBIENT TEMPERATURE RANGE	-20°C to +65°C
SERVICE LIFE	50,000 Hours
APPROVALS/CLASS	cURus Class 2, CE, RoHS, Dry or Damp Locations

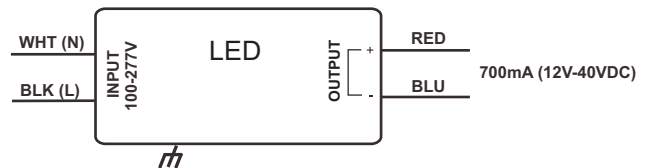
MECHANICAL DATA (Bottom Lead And Stud)



Where : L = Length, W = Width, H = Height, Tolerance=±0.02"

WIRING DIAGRAMS

INPUT SIDE	LENGTH		LENGTH
WHITE	12" (304.8mm)	RED	12" (304.8mm)
BLACK	12" (304.8mm)	BLUE	12" (304.8mm)



NOTE : This Ballast Must Be Grounded

Fulham extends a limited warranty only to the original purchaser or to the first user for a period of 5 years @ Tc 50°C from the date of manufacture when properly installed and operated under normal conditions of use. For complete terms and conditions, please reference the Fulham Product Catalog (www.fulham.com). Due to a program of continuous improvement, Fulham reserves the right to make modifications or variations in design or construction to the equipment described. © Fulham Company Limited, All Rights Reserved.