

T1UNV024V-20L

Description

24VDC, 20W Constant Voltage LED Driver. Universal input range of 100-277V. One, 24VDC independent, constant voltage output channel.
This driver will operate any LED module designed to accept constant voltage input up to 24VDC and has a maximum current of 0.833A.

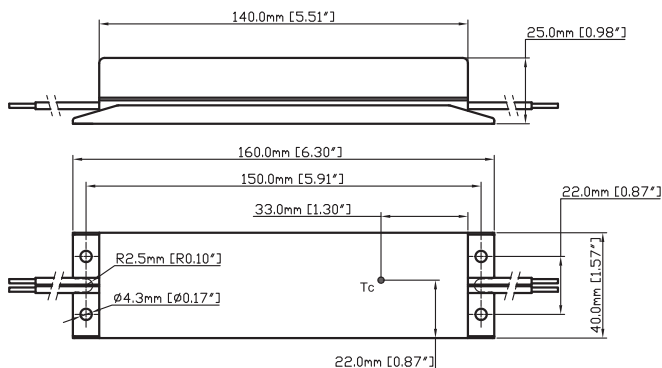
Product Availability Status

This LED driver is available as a Made-To-Order (MTO) product and is a non-stocked item. Minimum order quantities and lead times will apply when ordering. Please contact your Fulham Sales Representative or one of our Customer Service Representatives at order@fulham.com for further ordering details and instructions.

General Specifications

Input Voltage / Frequency	100-277VAC ±10%, 50/60Hz
Input Current (Max.)	0.25A @ 100V; 0.095A @ 277V
Power Factor (PF)	>0.9% @ Full Load
THD	≥20% @ Full Load
Efficiency	≥80% @ Full Load
Drive Method	Constant Voltage
Output Voltage	24VDC
Output Current (Max.)	0.833A
Output Wattage	20W
Number of Output Channels	1
RFI / EMI	FCC Part 15, Class B / EN55015
Sound Rating	A
Surge Protection	1kV (L to N), 2kV (L/N to GRD)
Current Protection	Fuse
Output Short Circuit Protection	Shutdown and auto recovery, no damage.
Output Open Circuit Protection	24Vdc
Output To Ground Protection	Isolated System
Over Load Protection	30W Max.
Max. Case Hot Spot Temperature	90°C
Ambient Temperature Range	-20°C to 73°C
Service Life	50,000 Hours
Approvals / Class	cURus, Class 2, CE, RoHS, Dry or Damp Locations, Type HL
Warranty	5 years from the date of manufacture when properly installed.

Mechanical Data



Wiring Diagram

INPUT SIDE	LENGTH	OUTPUT SIDE	LENGTH
BLACK	150mm [6"]	RED	150mm [6"]
WHITE	150mm [6"]	BLUE	150mm [6"]

