

SPECIFICATION SHEET : T1UNV024V-150L

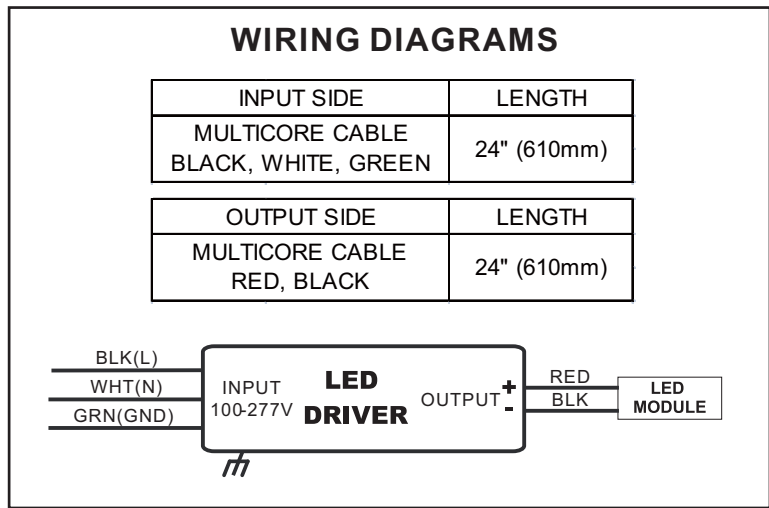
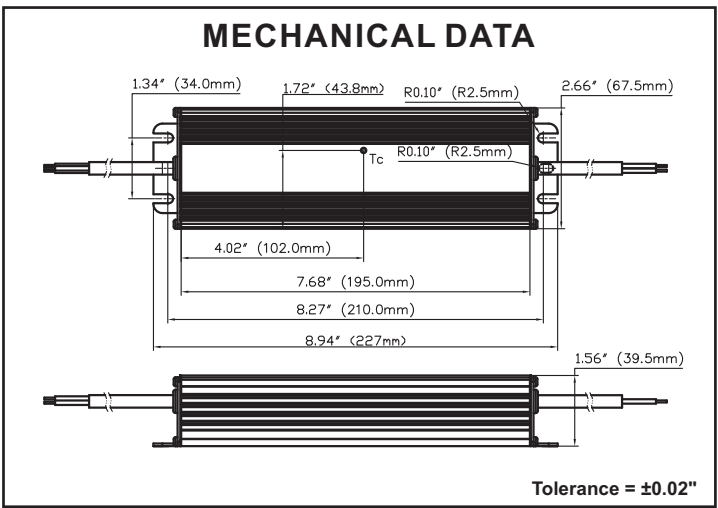
This Is An Original Product From Fulham Co., Inc

Description 24V, 150W Constant Voltage LED Driver. Universal input range of 100-277VAC.
One 24V independent, constant voltage output channel.

This Driver Will Operate The Following LED Modules:
Any LED module designed to accept constant voltage input of 24V and has a maximum input current of 6.25A.

ELECTRICAL DATA

Input Voltage	100-277VAC, 50/60Hz
Input Current	1.71A@100V, 0.61A@277V
Input Power	168W
Power Factor	>0.9
THD	<20%
EFFICIENCY	91% Typical @ 120V Full Load
Driver Type	Constant Voltage
Output Voltage	24VDC
Output Current Range	0-6.25A
Output Wattage	150W
Number of Output Channels	1
RF/EMI	FCC PART 15B CONSUMER, EN55015
Output Type	NON-CLASS 2
Ambient Operating Temperature Range	-40°C to 53°C
Max Case Temperature at Tc	89°C
Sound Rating	A
Protections	Input Surge Protection
	Input Current Protection
	Output Short Circuit Protection
	Output Open Circuit Protection
	Output To Ground Short Protection
	Overload Protection
Expected Service Life	5 YEARS @ Tc 80°C
Approvals / Class	cURus NON-Class 2, IP67, CE, RoHS, Dry/Damp/Wet Locations, Type TL/HL



Fulham extends a limited warranty only to the original purchaser or to the first user for a period of 5 years from the date of manufacture when properly installed and operated under normal conditions of use. For complete terms and conditions, please reference the Fulham product catalog (www.fulham.com)

Due to a program of continuous improvement, Fulham reserves the right to make modifications or variations in design or construction to the equipment described.