

SPECIFICATION SHEET : T1UNV012V-60L

This Is An Original Product From Fulham Co., Inc

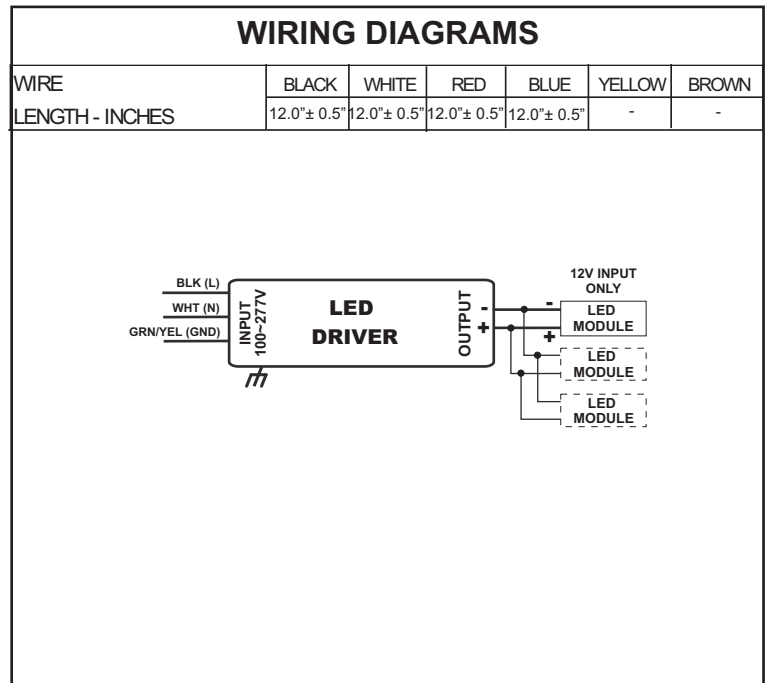
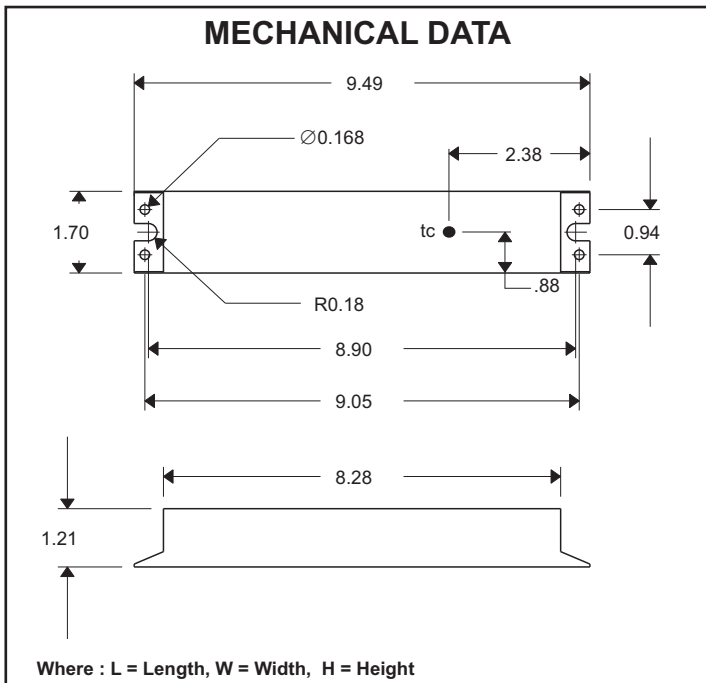


Description : Independent direct current power supply. High efficiency and reduced weight and size. Constant output voltage. Wide range input 100 ~ 277 Volt. Power output up to 60 Watts.

This Driver Will Operate Following LED Modules:
Any Series or Parallel string of LED's designed for 12V Constant Voltage Input.

ELECTRICAL DATA

INPUT VOLT:	100V ~ 277V ± 10%, 50/60Hz
INPUT CURRENT (MAX)	.72A @ 100VAC
POWER FACTOR (PF)	> 0.90
THD	< 20%
EFFICIENCY	> 85% @ 120VAC
SURGE PROTECTION	YES
CURRENT PROTECTION	YES
CONSTANT CURRENT, VOLTAGE OR POWER	CONSTANT VOLTAGE
OUTPUT CURRENT	5A
OUTPUT VOLTAGE	12V
OUTPUT SHORT CIRCUIT PROTECTION	YES
OUTPUT OPEN CIRCUIT PROTECTION	YES
OUTPUT TO GROUND SHORT PROTECTION	YES
OVER LOAD PROTECTION	YES
OVER TEMPERATURE PROTECTION	N/A
MAX. CASE HOT SPOT TEMPERATURE	90 °C
MIN. POSSIBLE AMBIENT TEMPERATURE	-40 °C
MAX. POSSIBLE AMBIENT TEMPERATURE	50 °C
APPROVAL/CLASS	cURus Class 2 (8750 & 879), Damp location, FCC Part 15, Class B, Type HL



Fulham extends a limited warranty only to the original purchaser or to the first user for a period of 5 years from the date of manufacture when properly installed and operated under normal conditions of use. For complete terms and conditions, please reference the Fulham product catalog (www.fulham.com)
Due to a program of continuous improvement, Fulham reserves the right to make modifications or variations in design or construction to the equipment described.