

SPECIFICATION SHEET: T1T11200350-17CB

This Is An Original Product From Fulham Co., Inc

RoHS COMPLIANT

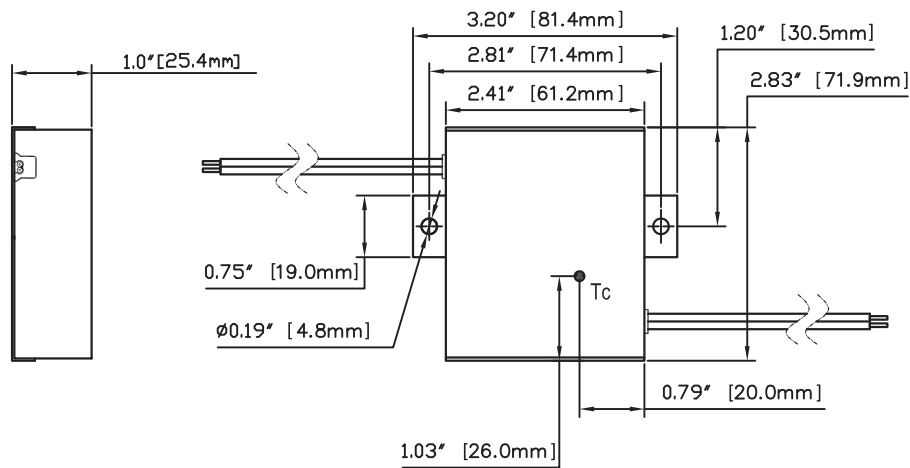
IP64

Description: LED Driver, One channel, Triac dimming, 120V, CC, 350mA, 17W, Compact with wire

This Driver Will Operate The Following LED Modules:

Any LED module designed to accept constant input current of 350mA and has a forward input voltage range of 26-49VDC.

MECHANICAL DATA



Where : L = Length, W = Width, H = Height, Tolerance=±0.02"

WIRING DIAGRAMS

INPUT SIDE	LENGTH	OUTPUT SIDE	LENGTH
BLACK	8"[203.2mm]	RED	8"[203.2mm]
WHITE	8"[203.2mm]	BLUE	8"[203.2mm]



Fulham extends a limited warranty only to the original purchaser or to the first user for a period of 5 years @ Tc 85°C from the date of manufacture when properly installed and operated under normal conditions of use. For complete terms and conditions, please reference the Fulham Product Catalog (www.fulham.com). Due to a program of continuous improvement, Fulham reserves the right to make modifications or variations in design or construction to the equipment described. © Fulham Company Limited, All Rights Reserved.