

**Description:** 36W LED Power Supply with 0-10V dimming controls. Wide range input of 120-277V. Two, constant current, independent output channels.

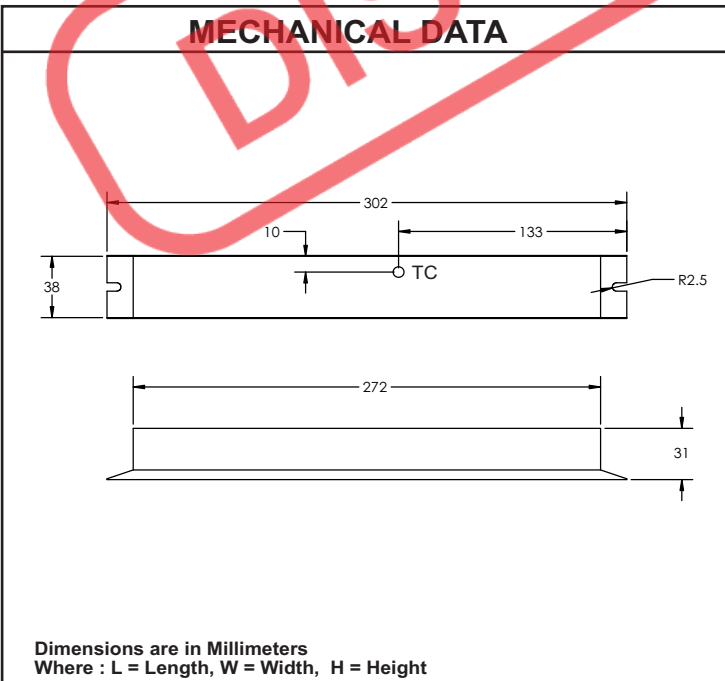
**This Driver Will Operate The Following LED Modules:**

Any LED module designed to accept constant current input up to 600mA and a voltage of <30V.

**ELECTRICAL DATA**

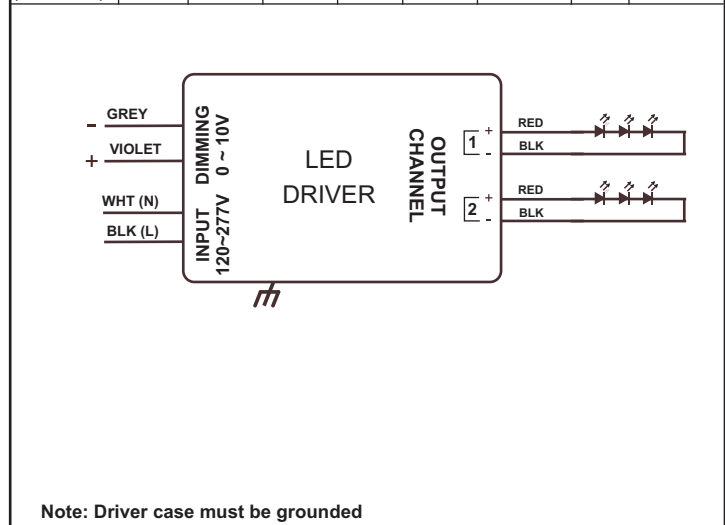
INPUT VOLTAGE	120-277V ± 10%, 50/60Hz
INPUT CURRENT (MAX)	.35A @ 120V, 0.19A @ 230V, 0.16A @ 277V
POWER FACTOR	>0.99 @ 120V, >0.97 @ 230V, >0.94 @ 277V
THD	<20% @ Max load
EFFICIENCY	>83% @ Max load
CONSTANT CURRENT, VOLTAGE OR POWER	Constant Current
OUTPUT CURRENT	600mA
OUTPUT VOLTAGE RANGE	23-30V
MINIMUM LOAD	18W / CHANNEL
OUTPUT SHORT CIRCUIT PROTECTION	YES
OUTPUT OPEN CIRCUIT PROTECTION	YES
OUTPUT TO GROUND SHORT PROTECTION	YES
OVER LOAD PROTECTION	YES
DIMMING CONTROLLER TYPE	0-10V (IEC60929, ANNEX E)
NUMBER OF OUTPUT CHANNELS	2
NUMBER OF CONTROL CHANNELS	1
EMI	FCC Class B
MAX CASE HOT SPOT TEMPERATURE	85°C
MIN OPERATING TEMPERATURE	-20°C
MAX OPERATING TEMPERATURE	55°C
APPROVALS/CLASS	Class 2 (cURus), Dry and Damp Location, CE

**MECHANICAL DATA**



**WIRING DIAGRAM**

WIRE	BLACK	WHITE	VIOLET	GRAY	RED	BLACK	RED	BLACK
LENGTH (INCHES)	12"	12"	24"	24"	24"	24"	24"	24"



Fulham extends a limited warranty only to the original purchaser or to the first user for a period of 5 years from the date of manufacture when properly installed and operated under normal conditions of use. For complete terms and conditions, please reference the Fulham product catalog ([www.fulham.com](http://www.fulham.com))  
Due to a program of continuous improvement, Fulham reserves the right to make modifications or variations in design or construction to the equipment described.