

- Constant Current LED Driver
- Output Wattage: 40W Max.
- Universal Voltage (120V-277V ~)
- CC Programmable 250-1500mA
- 0-10V Dimming
- Long Case
- Output voltage range of 10-57VDC
- IP65
- U-OUT 60V

This Driver Will Operate The Following LED Modules: Any LED module designed to accept input voltage range of 10- 57 VDC and can operate up to current of 250- 1500mA

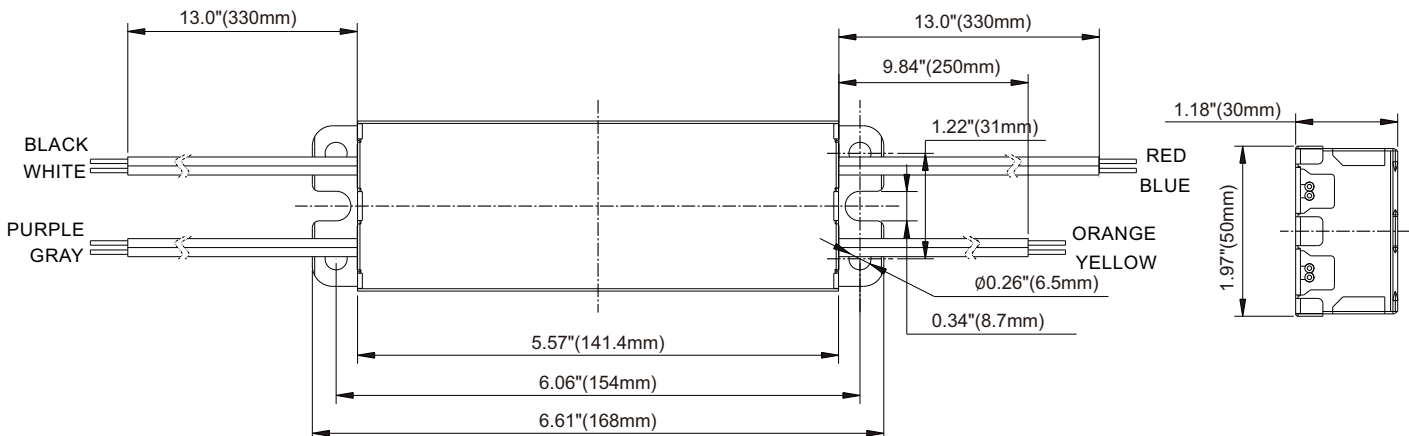
General Specifications

Input Voltage	120-277V~, 50/60 Hz
Input Current	0.42A Max.
Input Power	50W
Power Factor	>0.9
THD	<20%
Efficiency	89% Typical@277V Full Load
Driver Type	Constant Current
Output Current	250-1500mA
Output Voltage Range	10-57VDC
Output Power	40W Max.
Number of Output Channels	1 Channel
Dimming Controller Type/Dimming Range	0-10VDC / 100%-1%,0% (Figure 1)
RFI/EMI	FCC Part 15B Consumer EN55015
Output Type	LED Class 2
Potting Type / Degree of Fill	Potting As Per ASTM D36-86 / Fully Potted
Ambient Operating Temperature Range	-40°C to 60°C (-40°F to 140°F)
Max. Case Temperature	90°C (194°F)
Sound Rating	A
Input Surge Protection	Line-Neutral 4kV, Line & Neutral-Ground 6kV
Protections	Input Current Protection
	Output Short Circuit Protection
	Output Open Circuit Protection
	Output to Ground Short Protection
	Overload Protection
	Over Temperature Protection
Service Life	50,000 hours @Tc 85°C (181°F)
Approvals / Class	Type HL, Dry or Damp Locations
Warranty	5 years

Mechanical Data

Tolerance=±0.02"[0.5mm]

Wire:18AWG1015
0.75mm²



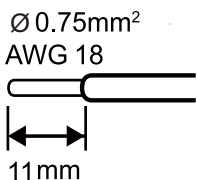
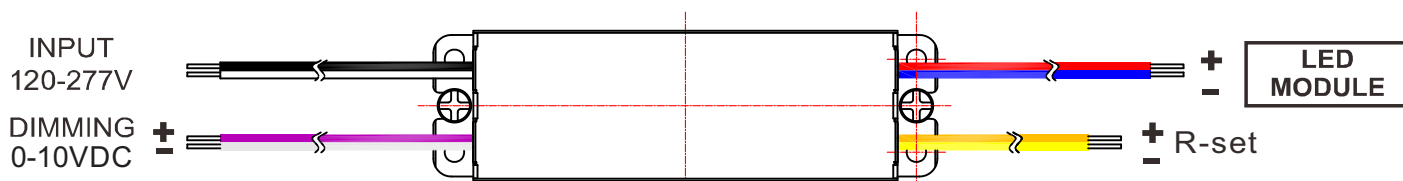
Fulham extends a limited warranty to the original purchaser or first user for a period of 5 years from the date of manufacture when properly installed and operated under normal conditions of use. The usage of appropriate series connected Surge Protection Device (SPD) is required in high risk applications. For complete terms and conditions, please refer to the Warranty Center at www.fulham.com. Specifications subject to change without notice.

Wiring Diagrams 1



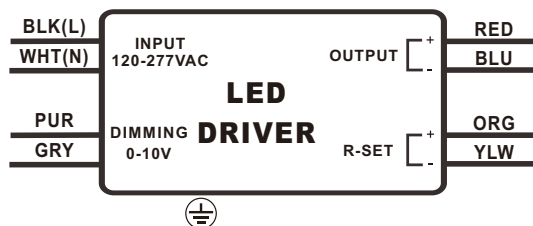
NOTE: This driver has six mounting holes, three on each side.
Need to mount four round holes or two semiround holes.

A Mounting the LEDdriver



NOTE :
1. This Driver Must Be Grounded

INPUT SIDE	LENGTH
BLACK	13.0" [330mm]
WHITE	13.0" [330mm]
PURPLE	13.0" [330mm]
GRAY	13.0" [330mm]



OUTPUT SIDE	LENGTH
RED	13.0" [330mm]
BLUE	13.0" [330mm]
ORANGE	9.84" [250mm]
YELLOW	9.84" [250mm]

B Making the wire connections

Fulham Head Quarters:
Fulham Co., Inc
12705 South Van Ness Ave.
Hawthorne, CA 90250
Local: (323) 779-2980, Fax: (323) 754-9060

Manufacturer:
North China
Fulham Electronic Co. Ltd.
No. 9 Xingchang Road, Nanshao Zhen Changping Science Park, Beijing, P.R. China

Fulham extends a limited warranty to the original purchaser or first user for a period of 5 years from the date of manufacture when properly installed and operated under normal conditions of use. The usage of appropriate series connected Surge Protection Device (SPD) is required in high risk applications. For complete terms and conditions, please refer to the Warranty Center at www.fulham.com. Specifications subject to change without notice.