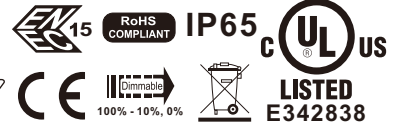
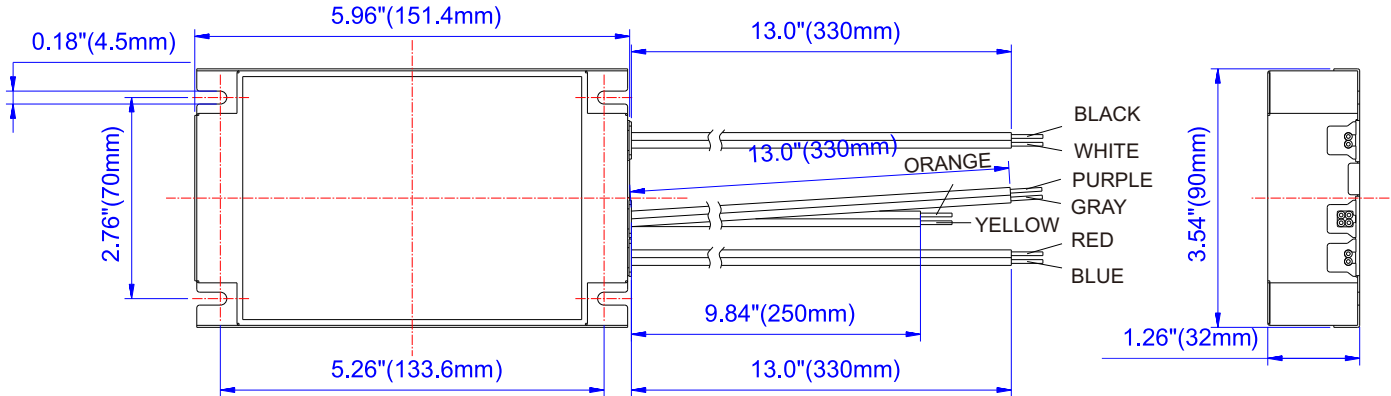


PECEIF AETON EOO

SPECIFICATIONS



MECHANICAL DATA



NOTE :

- 1.This Driver Must Be Installed By A Licensed Electrician
- 2.This Driver Must Be Grounded

Tolerance=±0.02"

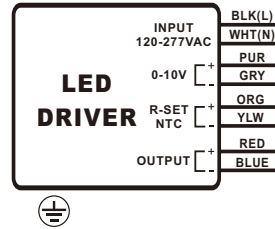
WARNING

1.To prevent damage to the LED driver, Orange and Yellow R-set / NTC / PRG inputs must never make contact with LED output.

2.FCC WARNING

This device complies with Part 15 of the FCC Rules. Operation is subject to the following two conditions:
 (1).This device may not cause harmful interference, and
 (2).This device must accept any interference received, including interference that may cause undesired operation.

Changes or modifications not expressly approved by the party responsible for compliance could void the user's authority to operate the equipment.



Programming SIDE	LENGTH
ORANGE	9.84" (250mm)
YELLOW	9.84" (250mm)

Dimming SIDE	LENGTH
PURPLE	13" (330mm)
GRAY	13" (330mm)

INPUT SIDE	LENGTH
WHITE	13" (330mm)
BLACK	13" (330mm)

OUTPUT SIDE	LENGTH
RED	13" (330mm)
BLUE	13" (330mm)

TPSB-100:

Only for luminaire manufacturer not for end user. For detail information on using TPSB-100 Driver Programming Box, please consult user's manual of TPSB-100.



Fulham extends a limited warranty to the original purchaser or first user for a period of 5 years @ Tc 80°C from the date of manufacture when properly installed and operated under normal conditions of use. The usage of appropriate series connected Surge Protection Device (SPD) is required in high risk applications. For complete terms and conditions, please refer to the Warranty Center at www.fulham.com. Specifications subject to change without notice.