

## SPECIFICATION SHEET : T1M1UNV1400-60L

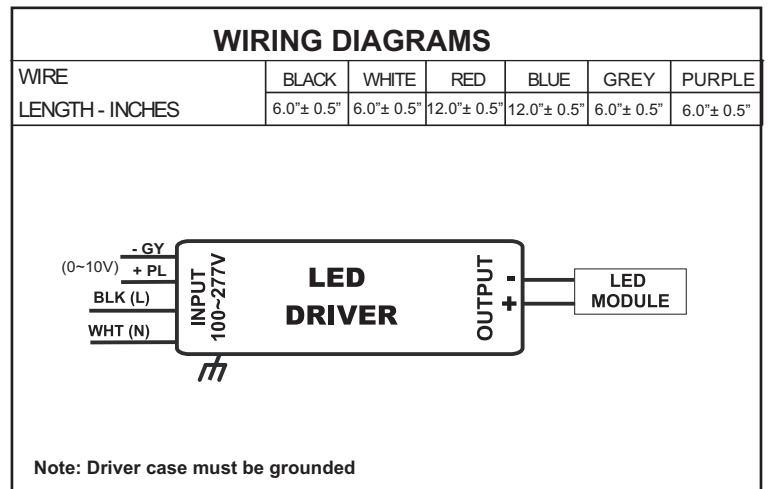
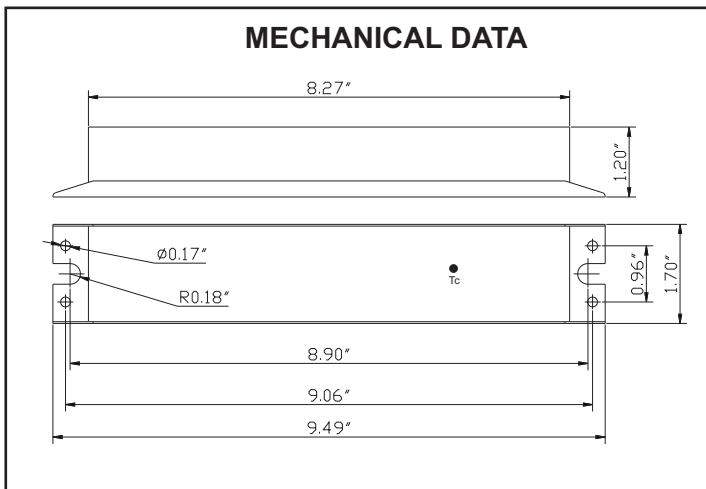
This Is An Original Product From Fulham Co., Inc

**Description:** 60W Constant Current LED Driver with 0 - 10V dimming controls. Wide range input of 100 - 277V. One independent output channel.

**Compatible LED Modules:**  
Any LED module designed to accept constant current input up to 1.4A and has a voltage range between 19-43VDC.

### ELECTRICAL DATA

Input Voltage	120 - 277 VAC , 50 / 60 Hz
Input Current	0.58 A @ 120 V , 0.25 A @ 277 V
Input Power	70 W
Power Factor	> 0.9
THD	< 20 %
Driver Type	Constant Current
Output Current	1.4 A
Output Voltage Range	18 - 42 VDC
Output Wattage	60 W
Number of Output Channels	1
RFI/EMI	FCC PART 15B CONSUMER , EN 55015
Output Type	CLASS 2
Ambient Operating Temperature Range	-40 °C to 60.5 °C
Max Case Temperature at Tc	90 °C
Sound Rating	A
Input Surge Protection	Line-Neutral 1kV, Line & Neutral-Ground 2kV
Protections	Input Current Protection
	Output Short Circuit Protection
	Output Open Circuit Protection
	Output To Ground Short Protection
	Overload Protection
Expected Service Life	5 YEARS
Approvals / Class	cURus LISTED , RoHS ; CE



Fulham extends a limited warranty only to the original purchaser or to the first user for a period of 5 years from the date of manufacture when properly installed and operated under normal conditions of use. For complete terms and conditions, please reference the Fulham product catalog ([www.fulham.com](http://www.fulham.com))

**Due to a program of continuous improvement, Fulham reserves the right to make modifications or variations in design or construction to the equipment described. © Fulham Company Limited, All Rights Reserved.**