

**Description:** 0.7A, 40W Constant Current LED Driver with 0-10V dimming. Universal input range of 100-277VAC. One 0.7A independent, constant current output channel, one 12V aux output channel.

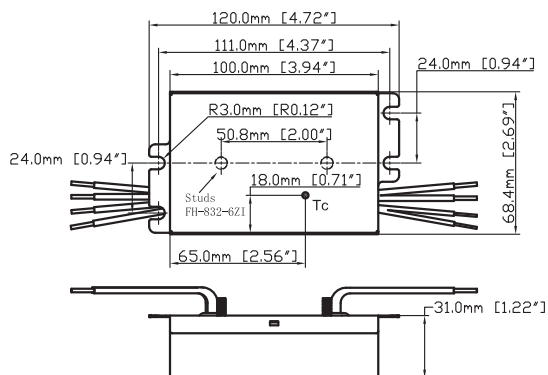
**This Driver Will Operate The Following LED Modules:**

Any LED module designed to accept constant current input of 0.7A and has a maximum input voltage of 58V.

**ELECTRICAL DATA**

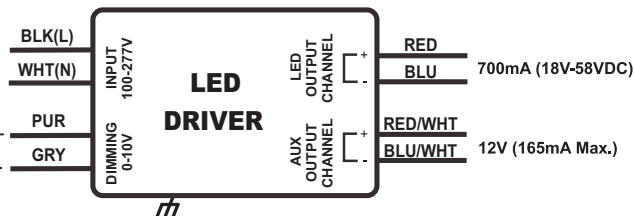
Input Voltage	100-277VAC, 50/60Hz
Input Current	0.51A@100V, 0.19A@277V
Input Power	51W
Power Factor	>0.9
THD	<20%
Driver Type	Constant Current
Output Current	0.7A
Output Voltage Range	18-58VDC
Output Wattage	41W
Number of Output Channels	1 LED + 1 AUX.
Auxiliary Output	12VDC, 165mA MAX.
Dimming	0-10V
RFI/EMI	FCC PART 15B CONSUMER, EN55015
Output Type	CLASS 2
Ambient Operating Temperature Range	-20°C to 61°C
Max Case Temperature at Tc	90°C
Sound Rating	A
Protections	Input Surge Protection
	Input Current Protection
	Output Short Circuit Protection
	Output Open Circuit Protection
	Output To Ground Short Protection
	Overload Protection
Expected Service Life	5 YEARS
Approvals / Class	cURus, IP64, CE, RoHS, Dry or Damp Locations, Type HL

**MECHANICAL DATA**



**WIRING DIAGRAMS**

INPUT SIDE	LENGTH	OUTPUT SIDE	LENGTH
BLACK	304.8mm [12"]	RED	304.8mm [12"]
WHITE	304.8mm [12"]	BLUE	304.8mm [12"]
PURPLE	304.8mm [12"]	RED/WHITE	304.8mm [12"]
GREY	304.8mm [12"]	BLUE/WHITE	304.8mm [12"]



Fulham extends a limited warranty only to the original purchaser or to the first user for a period of 5 years from the date of manufacture when properly installed and operated under normal conditions of use. For complete terms and conditions, please reference the Fulham product catalog ([www.fulham.com](http://www.fulham.com))

**Due to a program of continuous improvement, Fulham reserves the right to make modifications or variations in design or construction to the equipment described.**