

Description: 12V, 60W Constant Voltage LED Driver with 0-10V dimming. Universal input range of 100-277VAC. One 12V independent, constant voltage output channel.

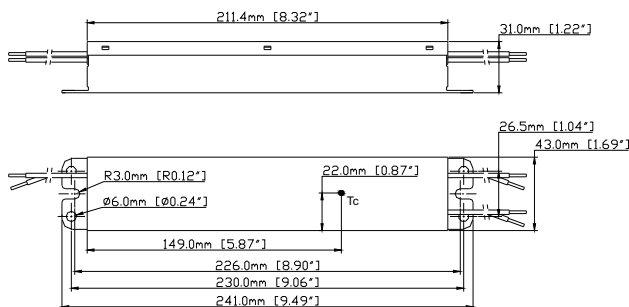
This Driver Will Operate The Following LED Modules:

LED module designed to accept constant voltage input of 12V and has a maximum input current of 5A. Note: Constant voltage modules are usually with on-board circuit besides LEDs, the module & driver compatibility check is preferred before any installation. Some of the modules with big input capacitance may lead to the incompatibility with the dimmable driver, contact Fulham for further assistance.

ELECTRICAL DATA

Input Voltage	100-277VAC, 50/60Hz
Input Current	0.72A@100V, 0.26A@277V
Input Power	72W
Power Factor	>0.9
THD	<20%
Driver Type	Constant Voltage
Output Voltage	12VDC
Output Current Range	0-5A
Output Wattage	60W
Number of Output Channels	1
Dimming	0-10V
RFI/EMI	FCC PART 15B CONSUMER, EN55015
Output Type	CLASS 2, LVLE
Ambient Operating Temperature Range	-20°C to 59°C
Max Case Temperature at Tc	89°C
Sound Rating	A
Protections	Input Surge Protection
	Input Current Protection
	Output Short Circuit Protection
	Output Open Circuit Protection
	Output To Ground Short Protection
	Overload Protection
Expected Service Life	5 YEARS
Approvals / Class	cURus Class 2, IP64, CE, RoHS, Dry or Damp Locations, Type TL/HL, LVLE

MECHANICAL DATA

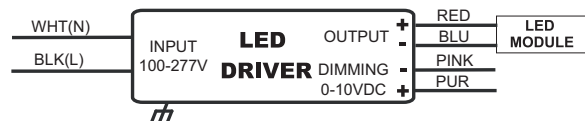


WIRING DIAGRAMS

INPUT SIDE	LENGTH
WHITE	300mm [11.8"]
BLACK	300mm [11.8"]

OUTPUT SIDE	LENGTH
RED	300mm [11.8"]
BLUE	300mm [11.8"]
PINK	300mm [11.8"]
PURPLE	300mm [11.8"]

Note: Pink or Gray dimming wire provided. use interchangeably.



Fulham extends a limited warranty only to the original purchaser or to the first user for a period of 5 years from the date of manufacture when properly installed and operated under normal conditions of use. For complete terms and conditions, please reference the Fulham product catalog (www.fulham.com)

Due to a program of continuous improvement, Fulham reserves the right to make modifications or variations in design or construction to the equipment described.