

- Built-in LED Driver
- Universal Voltage: 120-277VAC, 50/60Hz
- Output Power: 60W Max.
- Output Current: 500-2100mA
- Output voltage range of 10-57 VDC
- Long Case
- IP65 Dry and Damp
- Suitable for Class I luminaire
- U-OUT 60 V

This Driver Will Operate The Following LED Modules: Any LED module designed to accept input voltage range of 10- 57 VDC and can operate up to current of 500-2100mA.

General Specifications

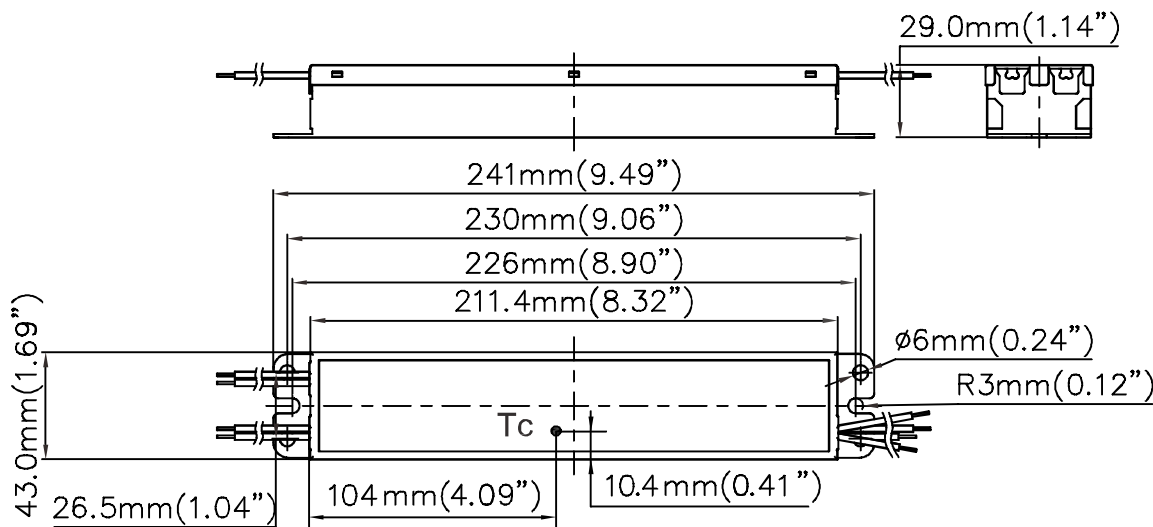
Input Voltage	120-277VAC, 50/60Hz
Input Current	0.60A Max.
Input Power	72W
Power Factor	>0.95
THD	<20%
Driver Type	PROGRAMMABLE CONSTANT CURRENT DRIVER
Output Current	500-2100mA
Output Voltage Range	10-57VDC
Output Power	60W Max.
Number of Output Channels	1 Channel
RFI/EMI	FCC Part 15B Consumer, EN55015
Output Type	LED Class 2
Ambient Operating Temperature Range	-40°C To 60°C (-40°F To 140°F)
Sound Rating	A
Input Surge Protection	Line-Neutral 4kV, Line & Neutral-Ground 6kV
Protections	Output Open Circuit Protection Overload Protection Over Temperature Protection
Service Life	50,000 hours
Approvals / Class	CLASS P, TYPE HL

Mechanical Data

Tolerance=±0.02"[0.5mm]

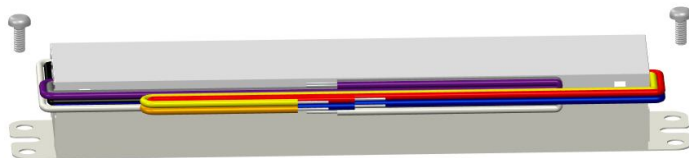
Wire:18AWG1015

0.75mm²



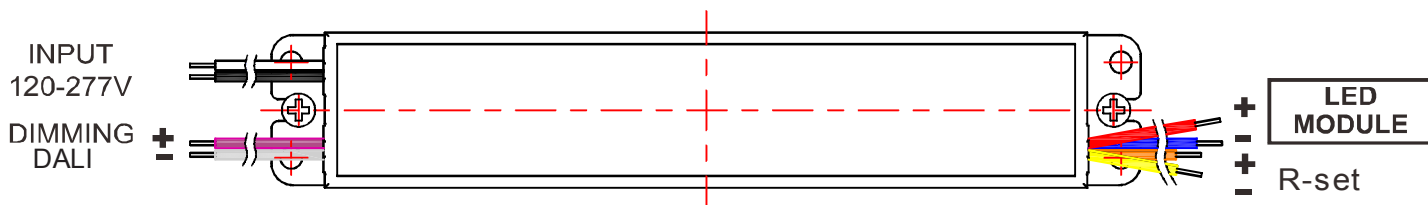
Fulham extends a limited warranty to the original purchaser or first user for a period of 5 years from the date of manufacture when properly installed and operated under normal conditions of use. The usage of appropriate series connected Surge Protection Device (SPD) is required in high risk applications. For complete terms and conditions, please refer to the Warranty Center at www.fulham.com. Specifications subject to change without notice.

Wiring Diagrams 1

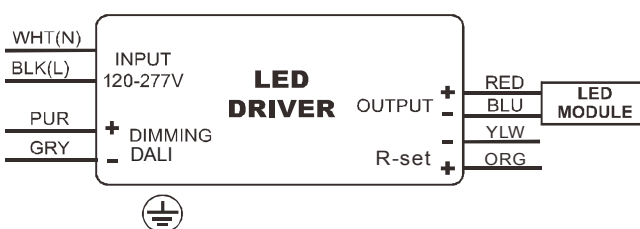


NOTE: This driver has six mounting holes, three on each side.
Need to mount four round holes or two semiround holes.

A Mounting the LEDdriver

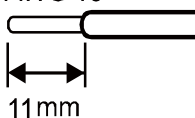


INPUTSIDE	LENGTH
WHITE	330mm[13"]
BLACK	330mm[13"]
PURPLE	330mm[13"]
GRAY	330mm[13"]



OUTPUTSIDE	LENGTH
RED	330mm[13"]
BLUE	330mm[13"]
YELLOW	250mm[9.84"]
ORANGE	250mm[9.84"]

Ø0.75mm²
AWG 18



NOTE :
1. This Driver Must Be Grounded

B Making the wire connections

Fulham Head Quarters:
Fulham Co., Inc
12705 South Van Ness Ave.
Hawthorne, CA 90250
Local: (323) 779-2980, Fax: (323) 754-9060

Manufacturer:
North China
Fulham Electronic Co. Ltd.
No. 9 Xingchang Road, Nanshao Zhen Changping Science Park, Beijing, P.R. China

Fulham extends a limited warranty to the original purchaser or first user for a period of 5 years from the date of manufacture when properly installed and operated under normal conditions of use. The usage of appropriate series connected Surge Protection Device (SPD) is required in high risk applications. For complete terms and conditions, please refer to the Warranty Center at www.fulham.com. Specifications subject to change without notice.