

**T1A1UNV150P-150L**  
INSTALLATION INSTRUCTIONS



**IP65**



- Built-in LED Driver
- Universal Voltage: 120-277VAC, 50/60Hz
- Output Wattage: 150W
- Output Current: 500-1500mA
- Output voltage range of 70-280VDC
- Long Case
- IP65 Dry and Damp
- Suitable for Class I luminaire
- U-OUT 350V

This Driver Will Operate The Following LED Modules: Any LED module designed to accept input voltage range of 70-280VDC and can operate up to current of 500-1500mA.

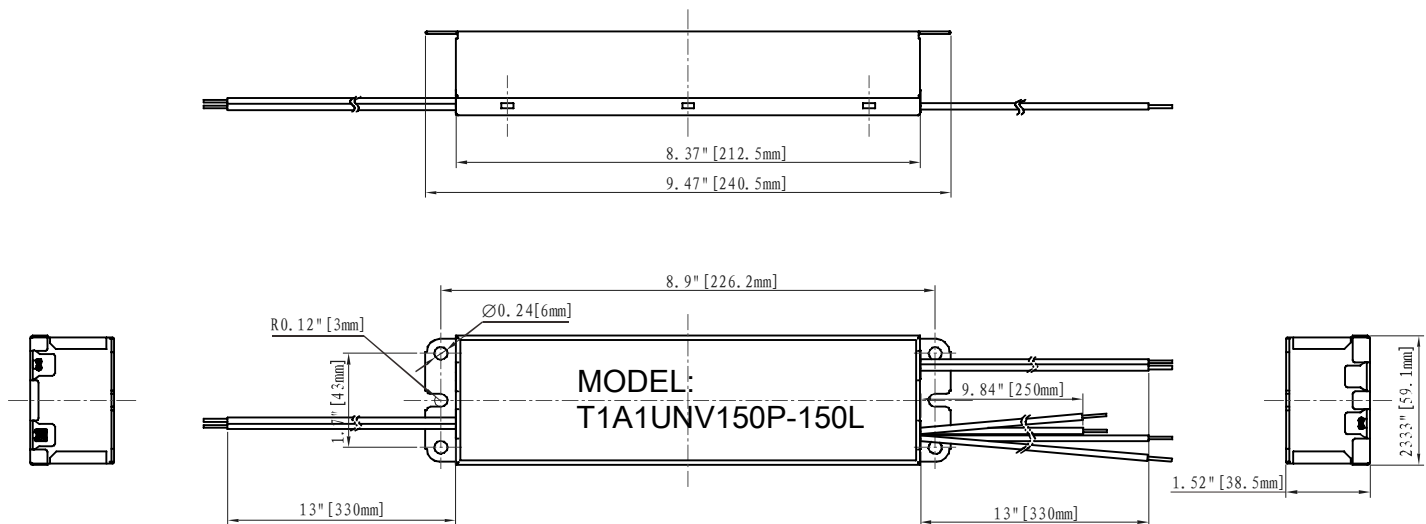
**General Specifications**

Input Voltage	120-277VAC, 50/60Hz
Input Current	1.42A Max.
Input Power	169W
Power Factor	>0.9
THD	<20%
Driver Type	PROGRAMMABLE CONSTANT CURRENT DRIVER
Output Current	500-1500mA
Output Voltage Range	70-280VDC
Output Power	150W
Number of Output Channels	1 Channel
RFI/EMI	FCC Part 15B Consumer, EN55015
Output Type	Non Class 2
Ambient Operating Temperature Range	-40°C to 52C (-40°F to 125.6°F)
Sound Rating	A
Input Surge Protection	Line-Neutral 4kV, Line & Neutral-Ground 6kV
Protections	Output Open Circuit Protection Overload Protection Over Temperature Protection
Service Life	50,000 hours
Approvals / Class	CLASS P

**Mechanical Data**

Tolerance=±0.02"[0.5mm]

Wire:18AWG1015  
0.75mm<sup>2</sup>



Fulham Head Quarters:  
Fulham Co., Inc  
12705 South Van Ness Ave.  
Hawthorne, CA 90250  
Local: (323) 779-2980, Fax: (323) 754-9060

Manufacturer:  
North China  
Fulham Electronic Co. Ltd.  
No. 9 Xingchang Road, Nanshao Zhen Changping Science Park, Beijing, P.R. China

Fulham extends a limited warranty to the original purchaser or first user for a period of 5 years from the date of manufacture when properly installed and operated under normal conditions of use. The usage of appropriate series connected Surge Protection Device (SPD) is required in high risk applications. For complete terms and conditions, please refer to the Warranty Center at [www.fulham.com](http://www.fulham.com). Specifications subject to change without notice.

Wiring Diagrams 1

