

SPECIFICATION SHEET : SN1-UNV-1324-IS

This Is An Original Product From Fulham Co., Inc

Description: Sinehorse Series, High Frequency Electronic, Drop In Replacement for Magnetic, Parallel Wiring, Indoor and Outdoor Sign Applications

This Ballast Will Operate Following Lamps.

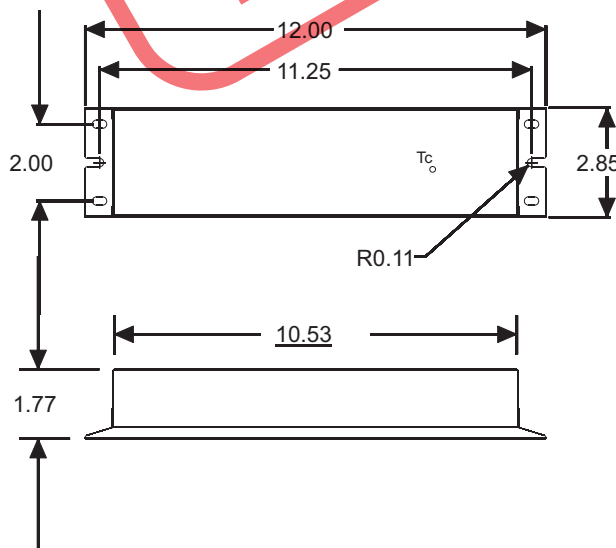
For 1, 2 or 3 x T12HO lamps (F36, F48, F60, F72, F84, F96, F120) TOTAL 3ft - 24ft
 No single lamp may be longer than 10ft
 No single lamp may be shorter than 3ft
 For 1, 2 or 3 x T8HO lamps (F36, F48, F60, F72, F84, F96) TOTAL 3ft - 21ft
 No single lamp may be longer than 8ft
 No single lamp may be shorter than 3ft

Not Higher Power Factor when using following lamp type:
 1 x F36T12HO to F96T12HO, F36T8HO to F96T8HO
 2 x F36T12HO to F72T12HO, F36T8HO to F60T8HO
 3 x F36T12HO to F48T12HO, F36T8HO

ELECTRICAL DATA (277V APPLICATION)

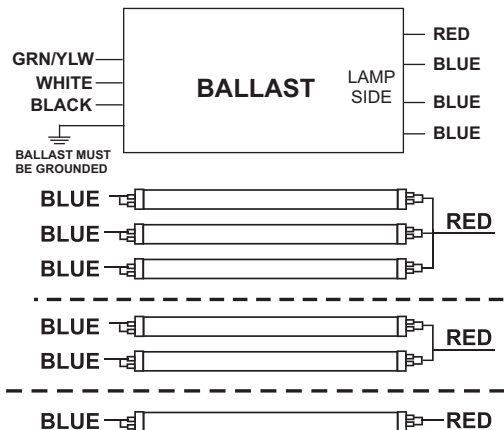
INPUT VOLT: 277V ± 10%, 50/60Hz								
LAMP WATTS/TYPE	F96T12HO	F96T12HO	F96T12HO	F96T8HO	F96T8HO	F120T12HO	F120T12HO	
LAMPS OPERATED	1	2	3	1	2	1	2	
INPUT WATTS	92	144	185	103	166	108	171	
LINE CURRENT:	0.38	0.55	0.69	0.41	0.63	0.43	0.64	
POWER FACTOR	0.87	0.94	0.96	0.89	0.95	0.90	0.96	
BALLAST FACTOR	0.51	0.41	0.35	1.28	1.05	0.50	0.41	
EFFICACY FACTOR	0.55	0.29	0.19	1.25	0.63	0.46	0.24	
THD	17.5%	13.3%	11.2%	15.4%	11.5%	15.1%	11.5%	
EMI/RFI COMPLIANCE	FCC PART 18-A (Non-Consumer)							
SOUND RATING	"A"							
BALLAST TYPE	INSTANT START							
VOLTAGE TRANSIENTS	ANSI 61.42							
INPUT/PROTECTION	FUSE							
MIN. OPERATING TEMP	-30°C (-22°F)							
MAX. CASE TEMP	70°C (158°C)							
APPROVALS/CLASS	UL /cUL LISTED, CLASS "P", Type 2 OUTDOOR							

MECHANICAL DATA



WIRING DIAGRAM

WIRES	WHT	BLK	GRN/YLW	RED	BLU			
LENGTH-INCHES	36 ± 1"	36 ± 1"	36 ± 1"	132 ± 1"	132 ± 1"			



NOTE : This Ballast Case Must Be Grounded

Fulham extends a limited warranty only to the original purchaser or to the first user for a period of 5 years from the date of manufacture when properly installed and operated under normal conditions of use. For complete terms and conditions, please reference the Fulham product catalog (www.fulham.com)
 Due to a program of continuous improvement, Fulham reserves the right to make modifications or variations in design or construction to the equipment described.