

SPECIFICATION SHEET : SHS5-024-C

This Is An Original Product From Fulham Co., Inc

Description : Sun Horse electronic ballast developed for use with UV & tanning lamp applications

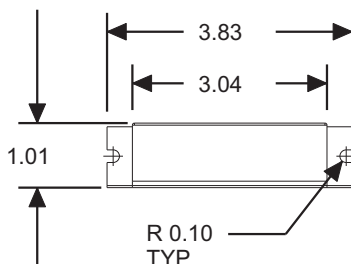
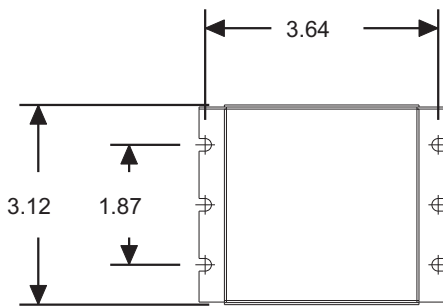
This Ballast Will Operate Following Lamps.

10W-21W T5,425mA UV Lamps, T3 17" (25W T5 425mA), T3 12" (16W T5 425mA).
 TUV18W, TUV36W, 38W-41W T5,425mA UV Lamps,
 (1+1) Any 10-21W T5, 425mA UV Lamp Combination

ELECTRICAL DATA TAKEN @ 24V (24V APPLICATION)

INPUT VOLTAGE RANGE: 21V ~ 32V, 50/60Hz						
LAMP WATTS/TYPE	T3 12" 425mA	T3 17" 425mA	10WT5 425mA	14WT5 425mA	15WT5 425mA	17WT5 425mA
LAMPS OPERATED	1					
INPUT WATTS	18	25	13	18	18	23
LINE CURRENT:	0.77	1.08	0.57	0.77	0.78	0.97
POWER FACTOR	0.99	0.99	0.99	0.99	0.99	0.99
BALLAST FACTOR	1.11	1.09	1.11	1.11	1.10	1.10
EFFICACY FACTOR	6.07	4.30	8.28	6.08	6.00	4.78
THD	2.5%	3.3%	2.4%	2.5%	2.2%	2.6%
CURRENT CREST FACTOR	< 1.7					
EMI/RFI COMPLIANCE	FCC PART 18-A (Non-Consumer)					
SOUND RATING	" A "					
BALLAST TYPE	RAPID START					
VOLTAGE TRANSIENTS	ANSI62.41					
INPUT/PROTECTION	FUSE					
OUTPUT/PROTECTION	EOL					
MIN. OPERATING TEMP	0 °C (32 ° F)					
MAX. CASE TEMP	75 °C (167 ° F)					
ENERGY STAR 4.0	YES					
APPROVALS/CLASS	UL /cUL LISTED, CLASS " P ", 1 OR 2 OUTDOOR					

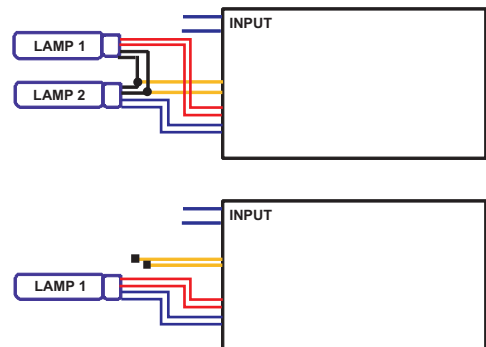
MECHANICAL DATA



Where : L = Length, W = Width, H = Height

WIRING DIAGRAMS

WIRE	BLACK	WHITE	RED	BLUE	YELLOW
LENGTH-INCHES	12"	12"	12"	12"	12"



NOTE : This Ballast Case Must Be Grounded

Fulham extends a limited warranty only to the original purchaser or to the first user for a period of 3 years from the date of manufacture when properly installed and operated under normal conditions of use. For complete terms and conditions, please reference the Fulham product catalog (www.fulham.com)
Due to a program of continuous improvement, Fulham reserves the right to make modifications or variations in design or construction to the equipment described.

SPECIFICATION SHEET : SHS5-024-C

This Is An Original Product From Fulham Co., Inc

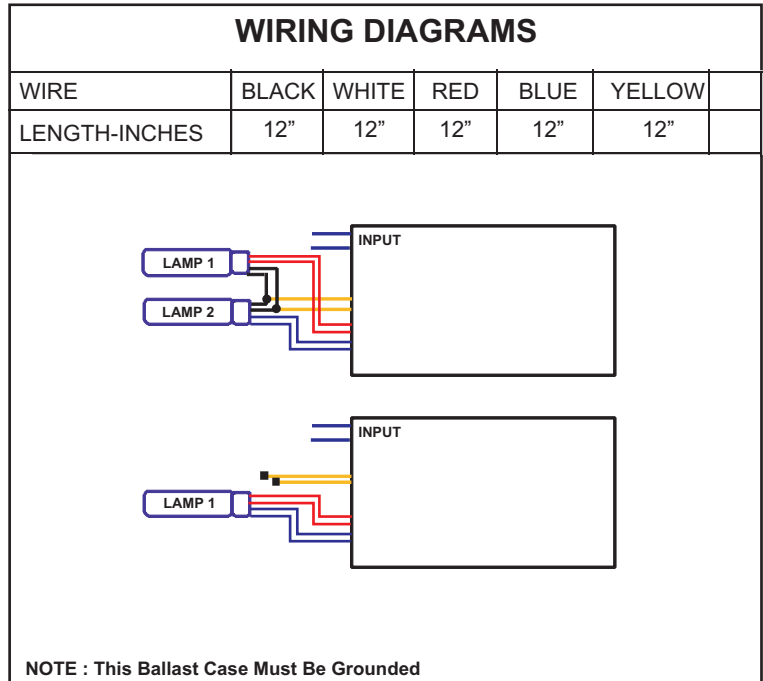
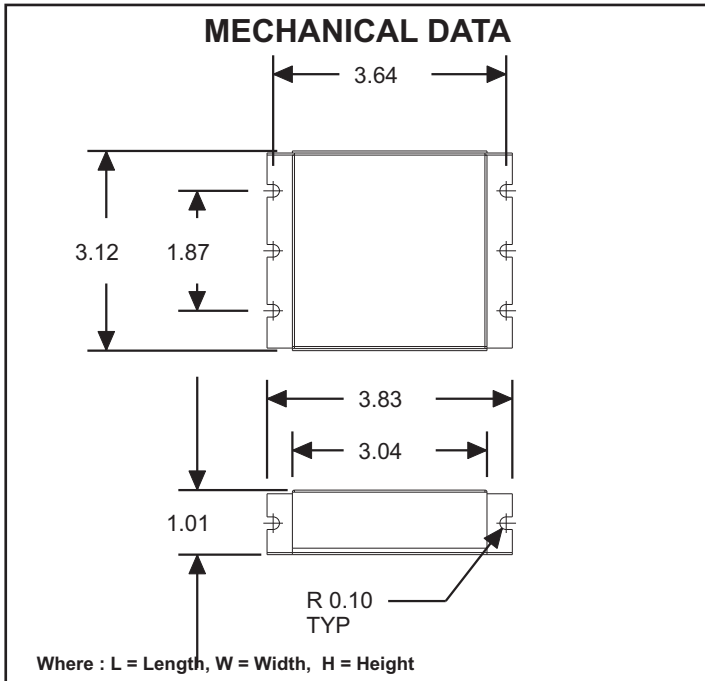
Description : Sun Horse electronic ballast developed for use with UV & tanning lamp applications

This Ballast Will Operate Following Lamps.

10W-21W T5,425mA UV Lamps, T3 17" (25W T5 425mA), T3 12" (16W T5 425mA).
 TUV18W, TUV36W, 38W-41W T5,425mA UV Lamps,
 (1+1) Any 10-21W T5, 425mA UV Lamp Combination

ELECTRICAL DATA TAKEN @ 24V (24V APPLICATION)

INPUT VOLTAGE RANGE : 21V ~ 32V, 50/60Hz					
LAMP WATTS/TYPE	21W T5 425mA	38W T5 425mA	41W T5 425mA	TUV 18W	TUV 36W
LAMPS OPERATED	1				
INPUT WATTS	26	45	49	26	45
LINE CURRENT:	1.09	1.82	2.00	1.10	1.83
POWER FACTOR	0.99	0.99	0.99	0.99	0.99
BALLAST FACTOR	1.09	1.06	1.04	1.01	1.06
EFFICACY FACTOR	4.25	2.37	2.14	3.91	2.37
THD	3.2%	4.6%	4.9%	2.9%	4.5%
CURRENT CREST FACTOR	< 1.7				
EMI/RFI COMPLIANCE	FCC PART 18-A (Non-Consumer)				
SOUND RATING	" A "				
BALLAST TYPE	RAPID START				
VOLTAGE TRANSIENTS	ANSI 62.41				
INPUT/PROTECTION	FUSE				
OUTPUT/PROTECTION	EOL				
MIN. OPERATING TEMP	0 °C (32 ° F)				
MAX. CASE TEMP	75 °C (167 ° F)				
ENERGY STAR 4.0	YES				
APPROVALS/CLASS	UL /cUL LISTED, CLASS " P ", 1 OR 2 OUTDOOR				



Fulham extends a limited warranty only to the original purchaser or to the first user for a period of 3 years from the date of manufacture when properly installed and operated under normal conditions of use. For complete terms and conditions, please reference the Fulham product catalog (www.fulham.com)
Due to a program of continuous improvement, Fulham reserves the right to make modifications or variations in design or construction to the equipment described.

SPECIFICATION SHEET : SHS5-024-C

This Is An Original Product From Fulham Co., Inc

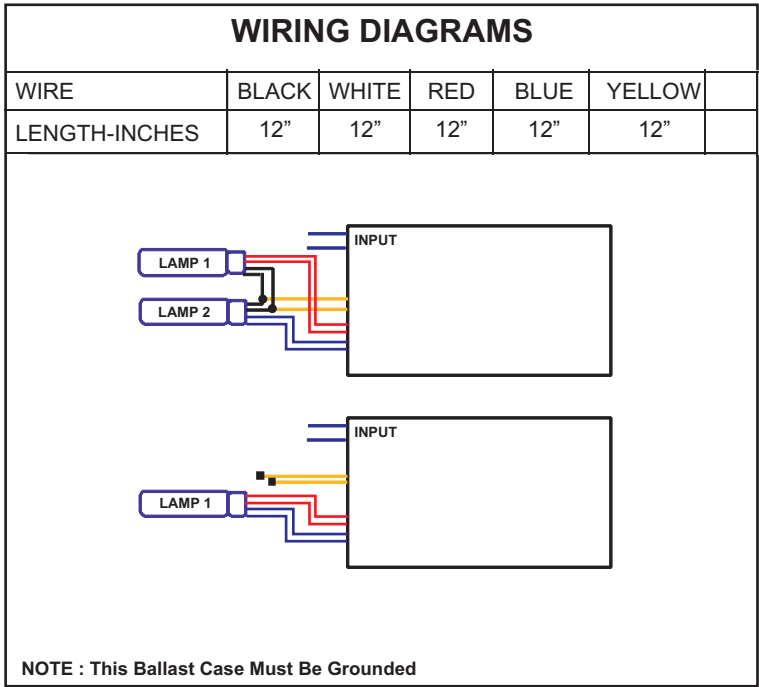
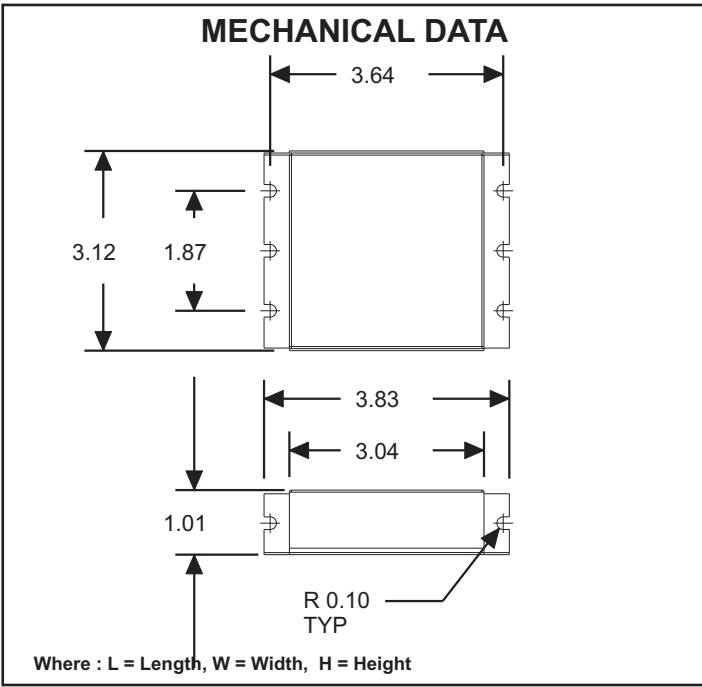
Description : Sun Horse electronic ballast developed for use with UV & tanning lamp applications

This Ballast Will Operate Following Lamps.

10W-21W T5,425mA UV Lamps, T3 17" (25W T5 425mA), T3 12" (16W T5 425mA).
 TUV18W, TUV36W, 38W-41W T5,425mA UV Lamps,
 (1+1) Any 10-21W T5, 425mA UV Lamp Combination

ELECTRICAL DATA TAKEN @ 24V (24V APPLICATION)

INPUT VOLTAGE RANGE: 21V ~ 32V, 50/60Hz								
LAMP WATTS/TYPE	T3 12" 425mA	T3 17" 425mA	10WT5 425mA	14WT5 425mA	15WT5 425mA	17WT5 425mA	21WT5 425mA	TUV 18W
LAMPS OPERATED	2							
INPUT WATTS	35	47	25	34	36	43	53	49
LINE CURRENT:	1.44	2.02	1.07	1.39	1.55	1.77	2.18	2.02
POWER FACTOR	0.99	0.99	0.99	0.99	0.99	0.99	0.99	0.99
BALLAST FACTOR	1.03	0.99	1.06	1.04	1.03	1.01	0.99	1.01
EFFICACY FACTOR	2.92	2.10	4.19	3.03	2.82	2.33	1.88	2.04
THD	3.5%	5.1%	2.9%	3.5%	3.5%	4.2%	5.1%	4.6%
CURRENT CREST FACTOR	< 1.7							
EMI/RFI COMPLIANCE	FCC PART 18-A (Non-Consumer)							
SOUND RATING	" A "							
BALLAST TYPE	RAPID START							
VOLTAGE TRANSIENTS	ANSI 62.41							
INPUT/PROTECTION	FUSE							
OUTPUT/PROTECTION	EOL							
MIN. OPERATING TEMP	0 °C (32 ° F)							
MAX. CASE TEMP	75 °C (167 ° F)							
ENERGY STAR 4.0	YES							
APPROVALS/CLASS	UL /cUL LISTED, CLASS " P ", 1 OR 2 OUTDOOR							



Fulham extends a limited warranty only to the original purchaser or to the first user for a period of 3 years from the date of manufacture when properly installed and operated under normal conditions of use. For complete terms and conditions, please reference the Fulham product catalog (www.fulham.com)
Due to a program of continuous improvement, Fulham reserves the right to make modifications or variations in design or construction to the equipment described.

SPECIFICATION SHEET : SHS5-024-C

This Is An Original Product From Fulham Co., Inc

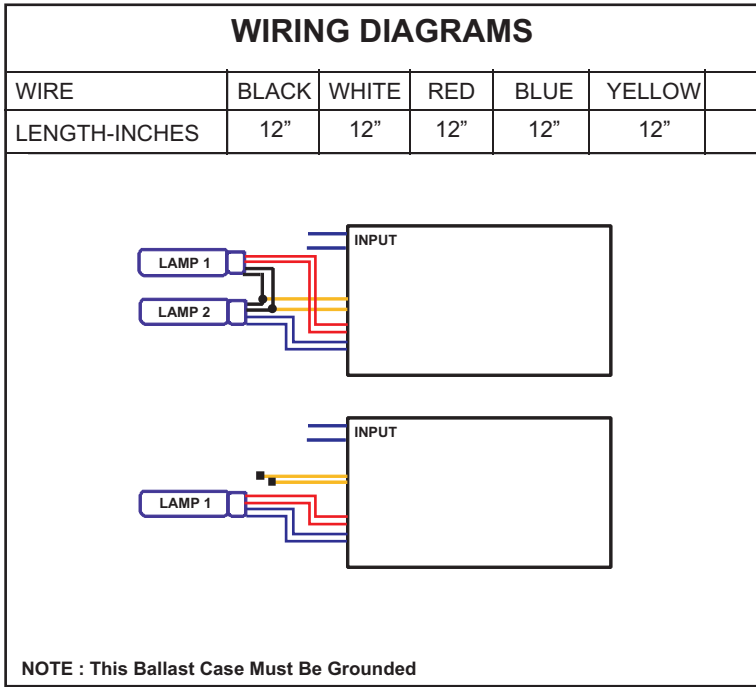
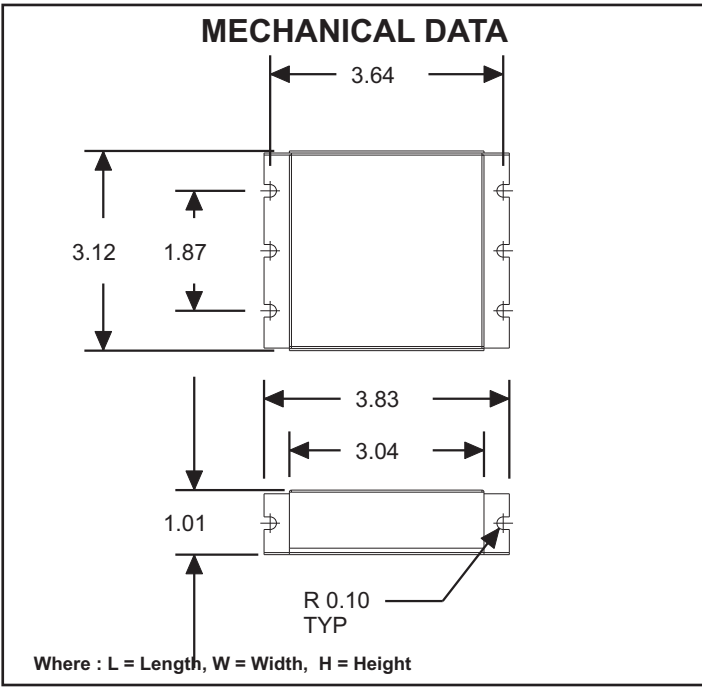
Description : Sun Horse electronic ballast developed for use with UV & tanning lamp applications

This Ballast Will Operate Following Lamps.

10W-21W T5,425mA UV Lamps, T3 17" (25W T5 425mA), T3 12" (16W T5 425mA).
 TUV18W, TUV36W, 38W-41W T5,425mA UV Lamps,
 (1+1) Any 10-21W T5, 425mA UV Lamp Combination

ELECTRICAL DATA TAKEN @ 21V (24V APPLICATION)

INPUT VOLTAGE RANGE: 21V ~ 32V, 50/60Hz						
LAMP WATTS/TYPE	T3 12" 425mA	T3 17" 425mA	10WT5 425mA	14WT5 425mA	15W T5 425mA	17W T5 425mA
LAMPS OPERATED	1					
INPUT WATTS	18	26	13	19	19	23
LINE CURRENT:	0.89	1.26	0.65	0.90	0.90	1.13
POWER FACTOR	0.99	0.99	0.99	0.99	0.99	0.99
BALLAST FACTOR	1.10	1.09	1.11	1.11	1.10	1.10
EFFICACY FACTOR	5.99	4.23	8.29	5.92	5.92	4.71
THD	2.7%	3.8%	2.6%	2.8%	2.5%	3.1%
CURRENT CREST FACTOR	< 1.7					
EMI/RFI COMPLIANCE	FCC PART 18-A (Non-Consumer)					
SOUND RATING	" A "					
BALLAST TYPE	RAPID START					
VOLTAGE TRANSIENTS	ANSI 62.41					
INPUT/PROTECTION	FUSE					
OUTPUT/PROTECTION	EOL					
MIN. OPERATING TEMP	0 °C (32 ° F)					
MAX. CASE TEMP	75 °C (167 ° F)					
ENERGY STAR 4.0	YES					
APPROVALS/CLASS	UL /cUL LISTED, CLASS " P ", 1 OR 2 OUTDOOR					



Fulham extends a limited warranty only to the original purchaser or to the first user for a period of 3 years from the date of manufacture when properly installed and operated under normal conditions of use. For complete terms and conditions, please reference the Fulham product catalog (www.fulham.com)
Due to a program of continuous improvement, Fulham reserves the right to make modifications or variations in design or construction to the equipment described.

SPECIFICATION SHEET : SHS5-024-C

This Is An Original Product From Fulham Co., Inc

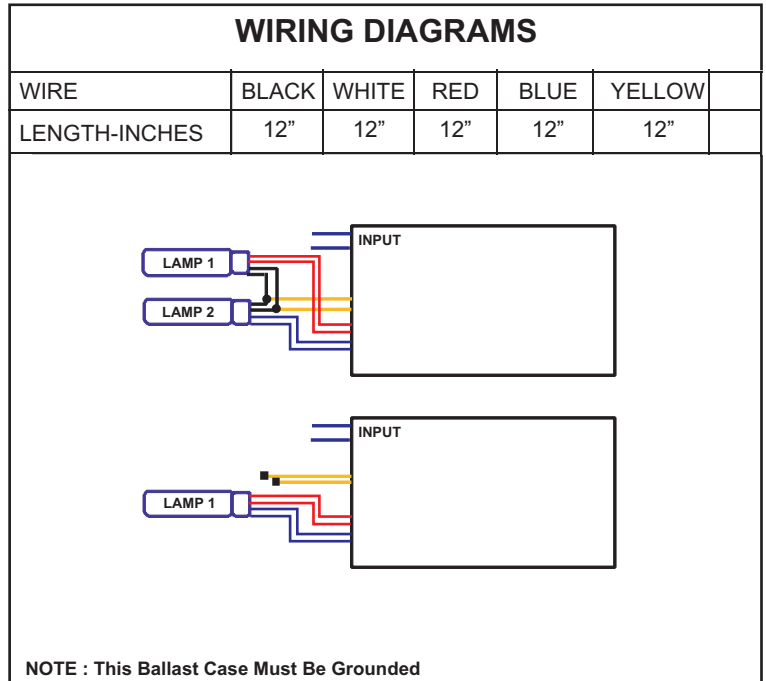
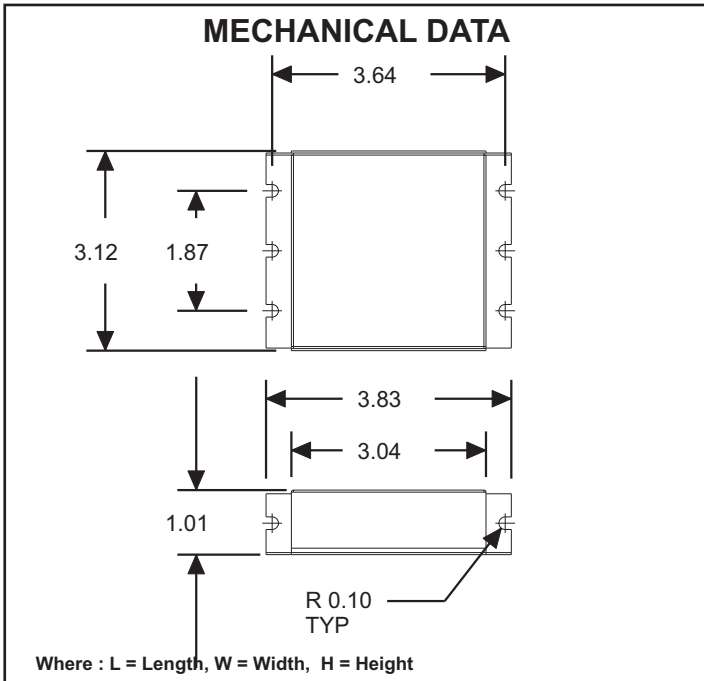
Description : Sun Horse electronic ballast developed for use with UV & tanning lamp applications

This Ballast Will Operate Following Lamps.

10W-21W T5,425mA UV Lamps, T3 17" (25W T5 425mA), T3 12" (16W T5 425mA).
 TUV18W, TUV36W, 38W-41W T5,425mA UV Lamps,
 (1+1) Any 10-21W T5, 425mA UV Lamp Combination

ELECTRICAL DATA TAKEN @ 21V (24V APPLICATION)

INPUT VOLTAGE RANGE : 21V ~ 32V, 50/60Hz					
LAMP WATTS/TYPE	21W T5 425mA	38W T5 425mA	41W T5 425mA	TUV 18W	TUV 36W
LAMPS OPERATED	1				
INPUT WATTS	26	46	50	26	46
LINE CURRENT:	1.27	2.14	2.35	1.28	2.15
POWER FACTOR	0.99	0.99	0.99	0.99	0.99
BALLAST FACTOR	1.09	1.05	1.04	1.01	1.06
EFFICACY FACTOR	4.18	2.30	2.08	3.85	2.31
THD	3.8%	5.4%	5.7%	3.5%	5.3%
CURRENT CREST FACTOR	< 1.7				
EMI/RFI COMPLIANCE	FCC PART 18-A (Non-Consumer)				
SOUND RATING	" A "				
BALLAST TYPE	RAPID START				
VOLTAGE TRANSIENTS	ANSI 62.41				
INPUT/PROTECTION	FUSE				
OUTPUT/PROTECTION	EOL				
MIN. OPERATING TEMP	0 °C (32 ° F)				
MAX. CASE TEMP	75 °C (167 ° F)				
ENERGY STAR 4.0	YES				
APPROVALS/CLASS	UL /cUL LISTED, CLASS " P ", 1 OR 2 OUTDOOR				



Fulham extends a limited warranty only to the original purchaser or to the first user for a period of 3 years from the date of manufacture when properly installed and operated under normal conditions of use. For complete terms and conditions, please reference the Fulham product catalog (www.fulham.com)
Due to a program of continuous improvement, Fulham reserves the right to make modifications or variations in design or construction to the equipment described.

SPECIFICATION SHEET : SHS5-024-C

This Is An Original Product From Fulham Co., Inc

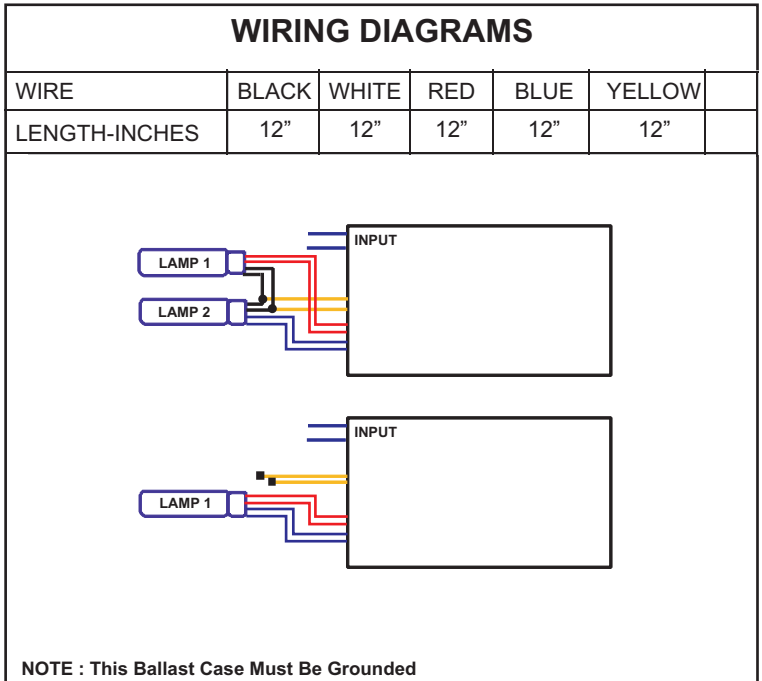
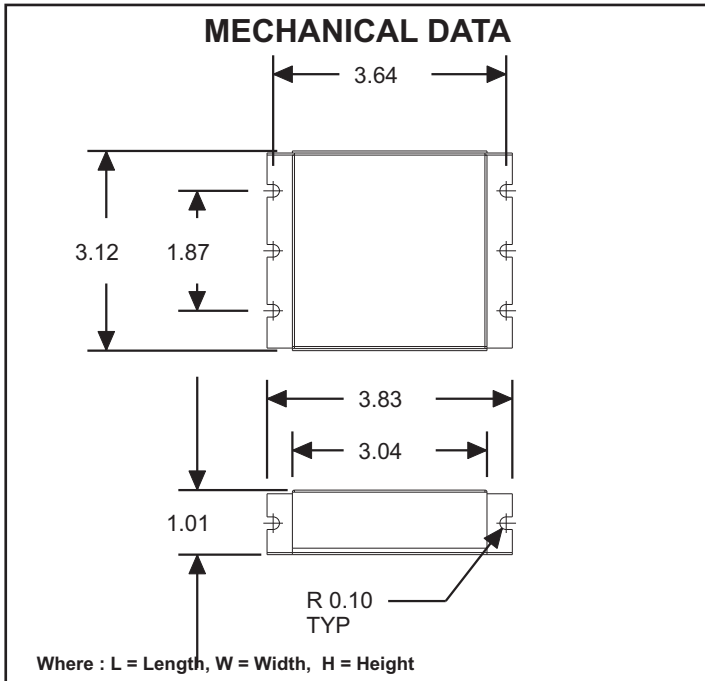
Description : Sun Horse electronic ballast developed for use with UV & tanning lamp applications

This Ballast Will Operate Following Lamps.

10W-21W T5,425mA UV Lamps, T3 17" (25W T5 425mA), T3 12" (16W T5 425mA).
 TUV18W, TUV36W, 38W-41W T5,425mA UV Lamps,
 (1+1) Any 10-21W T5, 425mA UV Lamp Combination

ELECTRICAL DATA TAKEN @ 21V (24V APPLICATION)

INPUT VOLTAGE RANGE: 21V ~ 32V, 50/60Hz								
LAMP WATTS/TYPE	T3 12" 425mA	T3 17" 425mA	10WT5 425mA	14WT5 425mA	15WT5 425mA	17WT5 425mA	21WT5 425mA	TUV 18W
LAMPS OPERATED	2							
INPUT WATTS	36	48	26	35	37	44	55	51
LINE CURRENT:	1.67	2.26	1.24	1.61	1.70	2.07	2.61	2.38
POWER FACTOR	0.99	0.99	0.99	0.99	0.99	0.99	0.99	0.99
BALLAST FACTOR	1.03	0.99	1.06	1.04	1.03	1.01	0.99	1.00
EFFICACY FACTOR	2.88	2.06	4.15	2.99	2.82	2.29	1.81	1.98
THD	4.3%	5.6%	3.4%	4.2%	4.1%	5.1%	6.0%	5.6%
CURRENT CREST FACTOR	< 1.7							
EMI/RFI COMPLIANCE	FCC PART 18-A (Non-Consumer)							
SOUND RATING	" A "							
BALLAST TYPE	RAPID START							
VOLTAGE TRANSIENTS	ANSI 62.41							
INPUT/PROTECTION	FUSE							
OUTPUT/PROTECTION	EOL							
MIN. OPERATING TEMP	0 °C (32 ° F)							
MAX. CASE TEMP	75 °C (167 ° F)							
ENERGY STAR 4.0	YES							
APPROVALS/CLASS	UL /cUL LISTED, CLASS " P ", 1 OR 2 OUTDOOR							



Fulham extends a limited warranty only to the original purchaser or to the first user for a period of 3 years from the date of manufacture when properly installed and operated under normal conditions of use. For complete terms and conditions, please reference the Fulham product catalog (www.fulham.com)
Due to a program of continuous improvement, Fulham reserves the right to make modifications or variations in design or construction to the equipment described.

SPECIFICATION SHEET : SHS5-024-C

This Is An Original Product From Fulham Co., Inc

Description : Sun Horse electronic ballast developed for use with UV & tanning lamp applications

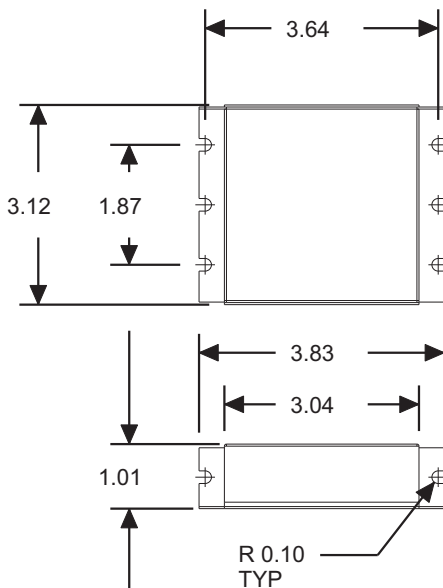
This Ballast Will Operate Following Lamps.

10W-21W T5,425mA UV Lamps, T3 17" (25W T5 425mA), T3 12" (16W T5 425mA).
 TUV18W, TUV36W, 38W-41W T5,425mA UV Lamps,
 (1+1) Any 10-21W T5, 425mA UV Lamp Combination

ELECTRICAL DATA TAKEN @ 32V (24V APPLICATION)

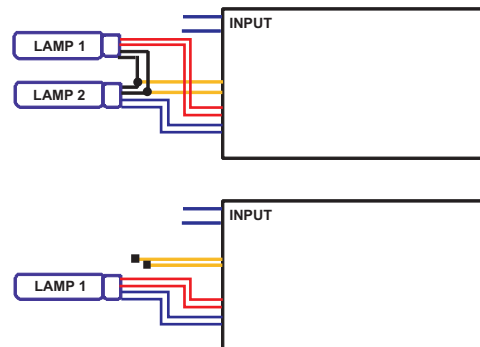
INPUT VOLTAGE RANGE: 21V ~ 32V, 50/60Hz						
LAMP WATTS/TYPE	T3 12" 425mA	T3 17" 425mA	10WT5 425mA	14WT5 425mA	15WT5 425mA	17WT5 425mA
LAMPS OPERATED	1					
INPUT WATTS	18	25	13	18	18	23
LINE CURRENT:	0.57	0.79	0.43	0.57	0.58	0.72
POWER FACTOR	0.99	0.99	0.99	0.99	0.99	0.99
BALLAST FACTOR	1.11	1.09	1.11	1.11	1.10	1.10
EFFICACY FACTOR	6.13	4.38	8.29	6.14	6.05	4.85
THD	1.6%	2.7%	3.1%	2.0%	2.1%	2.0%
CURRENT CREST FACTOR	< 1.7					
EMI/RFI COMPLIANCE	FCC PART 18-A (Non-Consumer)					
SOUND RATING	" A "					
BALLAST TYPE	RAPID START					
VOLTAGE TRANSIENTS	ANSI 62.41					
INPUT/PROTECTION	FUSE					
OUTPUT/PROTECTION	EOL					
MIN. OPERATING TEMP	0 °C (32 °F)					
MAX. CASE TEMP	75 °C (167 °F)					
ENERGY STAR 4.0	YES					
APPROVALS/CLASS	UL /cUL LISTED, CLASS " P ", 1 OR 2 OUTDOOR					

MECHANICAL DATA



WIRING DIAGRAMS

WIRE	BLACK	WHITE	RED	BLUE	YELLOW	
LENGTH-INCHES	12"	12"	12"	12"	12"	



NOTE : This Ballast Case Must Be Grounded

Fulham extends a limited warranty only to the original purchaser or to the first user for a period of 3 years from the date of manufacture when properly installed and operated under normal conditions of use. For complete terms and conditions, please reference the Fulham product catalog (www.fulham.com)
Due to a program of continuous improvement, Fulham reserves the right to make modifications or variations in design or construction to the equipment described.

SPECIFICATION SHEET : SHS5-024-C

This Is An Original Product From Fulham Co., Inc

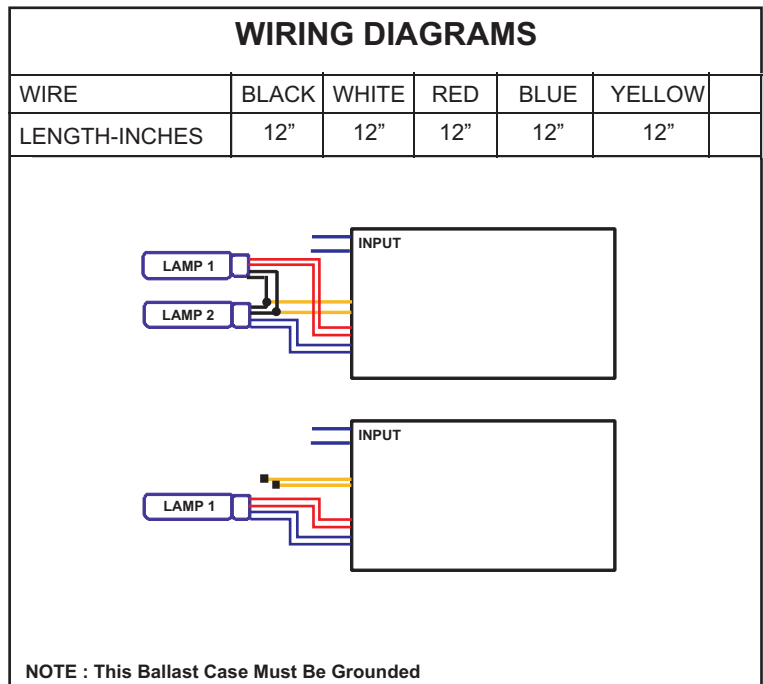
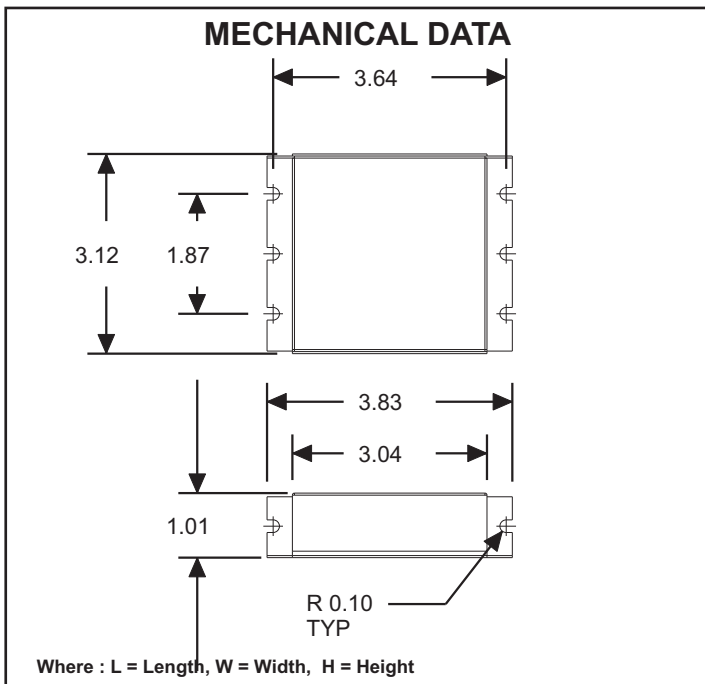
Description : Sun Horse electronic ballast developed for use with UV & tanning lamp applications

This Ballast Will Operate Following Lamps.

10W-21W T5,425mA UV Lamps, T3 17" (25W T5 425mA), T3 12" (16W T5 425mA).
 TUV18W, TUV36W, 38W-41W T5,425mA UV Lamps,
 (1+1) Any 10-21W T5, 425mA UV Lamp Combination

ELECTRICAL DATA TAKEN @ 32V (24V APPLICATION)

INPUT VOLTAGE RANGE : 21V ~ 32V, 50/60Hz					
LAMP WATTS/TYPE	21W T5 425mA	38W T5 425mA	41W T5 425mA	TUV 18W	TUV 36W
LAMPS OPERATED	1				
INPUT WATTS	25	43	47	25	44
LINE CURRENT:	0.80	1.33	1.45	0.80	1.34
POWER FACTOR	0.99	0.99	0.99	0.99	0.99
BALLAST FACTOR	1.09	1.05	1.04	1.01	1.06
EFFICACY FACTOR	4.33	2.44	2.22	3.99	2.45
THD	2.6%	3.6%	3.9%	2.4%	3.3%
CURRENT CREST FACTOR	< 1.7				
EMI/RFI COMPLIANCE	FCC PART 18-A (Non-Consumer)				
SOUND RATING	" A "				
BALLAST TYPE	RAPID START				
VOLTAGE TRANSIENTS	ANSI 62.41				
INPUT/PROTECTION	FUSE				
OUTPUT/PROTECTION	EOL				
MIN. OPERATING TEMP	0 °C (32 ° F)				
MAX. CASE TEMP	75 °C (167 ° F)				
ENERGY STAR 4.0	YES				
APPROVALS/CLASS	UL /cUL LISTED, CLASS " P ", 1 OR 2 OUTDOOR				



Fulham extends a limited warranty only to the original purchaser or to the first user for a period of 3 years from the date of manufacture when properly installed and operated under normal conditions of use. For complete terms and conditions, please reference the Fulham product catalog (www.fulham.com)
Due to a program of continuous improvement, Fulham reserves the right to make modifications or variations in design or construction to the equipment described.

SPECIFICATION SHEET : SHS5-024-C

This Is An Original Product From Fulham Co., Inc

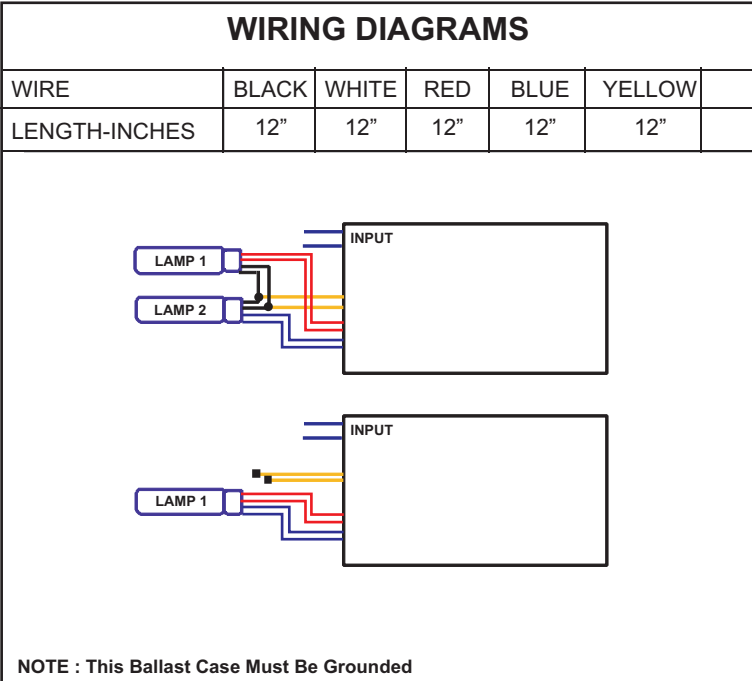
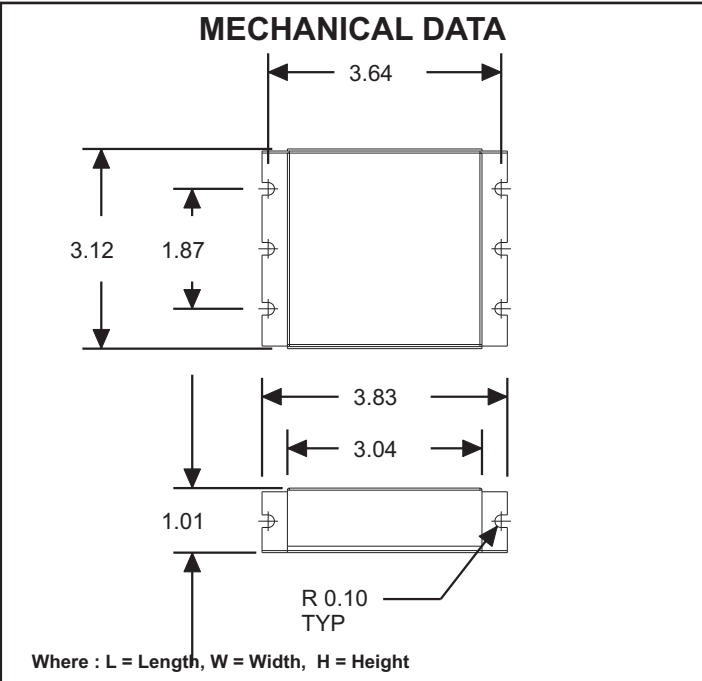
Description : Sun Horse electronic ballast developed for use with UV & tanning lamp applications

This Ballast Will Operate Following Lamps.

10W-21W T5,425mA UV Lamps, T3 17" (25W T5 425mA), T3 12" (16W T5 425mA).
 TUV18W, TUV36W, 38W-41W T5,425mA UV Lamps,
 (1+1) Any 10-21W T5, 425mA UV Lamp Combination

ELECTRICAL DATA TAKEN @ 32V (24V APPLICATION)

INPUT VOLTAGE RANGE: 21V ~ 32V, 50/60Hz								
LAMP WATTS/TYPE	T3 12" 425mA	T3 17" 425mA	10WT5 425mA	14WT5 425mA	15WT5 425mA	17WT5 425mA	21WT5 425mA	TUV 18W
LAMPS OPERATED	2							
INPUT WATTS	34	46	25	33	35	42	50	48
LINE CURRENT:	1.09	1.45	0.78	1.10	1.11	1.33	1.56	1.46
POWER FACTOR	0.99	0.99	0.99	0.99	0.99	0.99	0.99	0.99
BALLAST FACTOR	1.03	0.99	1.06	1.04	1.03	1.01	0.99	1.01
EFFICACY FACTOR	3.01	2.18	4.31	3.13	2.96	2.41	1.96	2.12
THD	2.8%	3.8%	2.4%	3.0%	2.5%	3.2%	4.1%	3.5%
CURRENT CREST FACTOR	< 1.7							
EMI/RFI COMPLIANCE	FCC PART 18-A (Non-Consumer)							
SOUND RATING	"A"							
BALLAST TYPE	RAPID START							
VOLTAGE TRANSIENTS	ANSI 62.41							
INPUT/PROTECTION	FUSE							
OUTPUT/PROTECTION	EOL							
MIN. OPERATING TEMP	0 °C (32 °F)							
MAX. CASE TEMP	75 °C (167 °F)							
ENERGY STAR 4.0	YES							
APPROVALS/CLASS	UL /cUL LISTED, CLASS " P ", 1 OR 2 OUTDOOR							



Fulham extends a limited warranty only to the original purchaser or to the first user for a period of 3 years from the date of manufacture when properly installed and operated under normal conditions of use. For complete terms and conditions, please reference the Fulham product catalog (www.fulham.com)
Due to a program of continuous improvement, Fulham reserves the right to make modifications or variations in design or construction to the equipment described.