

SHS3-MLT-L

Electronic Ballast For Use With UV & Tanning Applications

This Ballast Will Operate Following Lamps:

1 X 26-58W T5, 800mA UV LAMPS

OR

1 X GHO212T5/4, GHO287T5/4, GHO357T5/4,
GPH540T5LCA/HO/4C



General Specifications

Input Voltage	120 - 240VAC ±10%, 50 / 60Hz
Lamps Operated	1 Lamp
EMI / RFI Compliance	FCC Part 18-B, EN55015
Sound Rating	" A "
Ballast Type	Pre-Heated Start
Voltage Transients	ANSI/IEEE C62.41 Class A
Input Protection	Fuse
Output Protection	EOL
Min. Operating Temp	0°C (32°F)
Max. Case Temp	75°C (167°F)
Power Factor Corrected	@240V When using lamp types has rated power less that 32W
Approvals Class	UL / cUL Listed, Class "P", Outdoor Type 1, Type "CC", Type "HL", RoHS, CE
Warranty	5 Years from the date of manufacture when properly installed

Electrical Data @120VAC

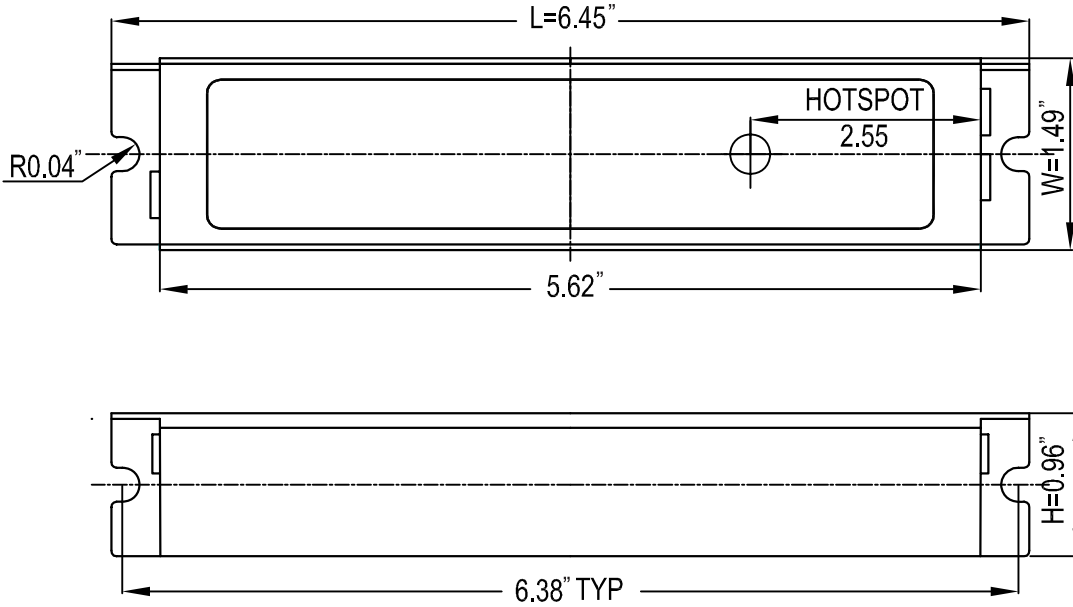
Lamp Wattage / Type	Lamps Operated	Input Wattage	Line Current	Power Factor	THD
GHO212T5L/4	1	21	0.18	>0.99	<10%
GHO287T5L/4	1	28	0.23	>0.99	<10%
GHO357T5L/4	1	35	0.28	>0.99	<10%
GPH540T5LCA/HO/4C	1	41	0.34	>0.99	<10%

Electrical Data @240VAC

Lamp Wattage / Type	Lamps Operated	Input Wattage	Line Current	Power Factor	THD
GHO212T5L/4	1	21	0.10	>0.87	<10%
GHO287T5L/4	1	27	0.12	>0.95	<10%
GHO357T5L/4	1	33	0.14	>0.96	<10%
GPH540T5LCA/HO/4C	1	39	0.17	>0.95	<10%

SHS3-MLT-L

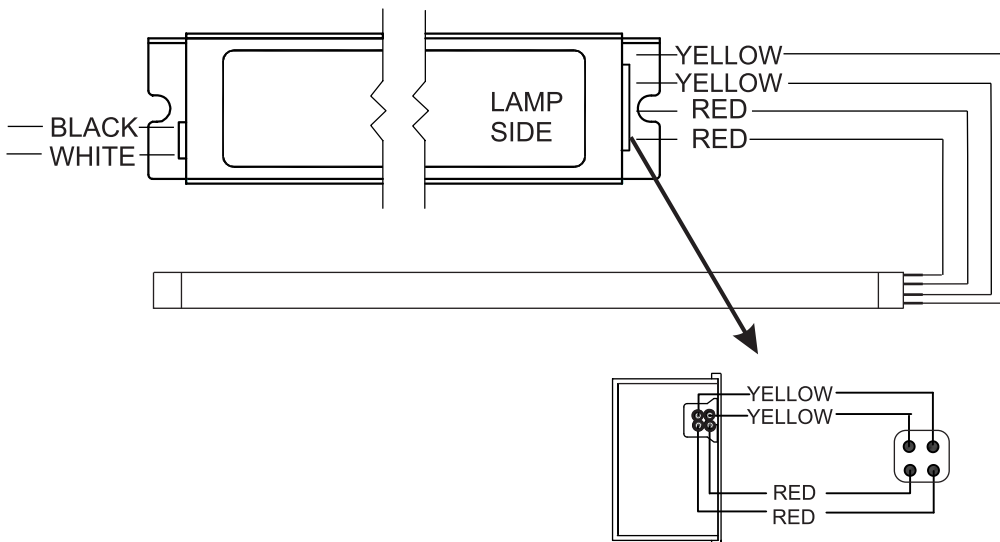
Mechanical Data



Where : L = Length, W = Width, H = Height

±0.02" Tolerance

Wiring Diagram



Wire Color	Length (Inches)
Black	12" ±0.5"
White	12" ±0.5"
Red	15" ±0.5"
Yellow	15" ±0.5"

Note: This ballast case must be grounded