

SPECIFICATION SHEET : SHS2-MLT-L



This Is An Original Product From Fulham Co., Inc

Description : Sun Horse electronic ballast developed for use with UV & tanning lamp applications

This Ballast Will Operate Following Lamps.

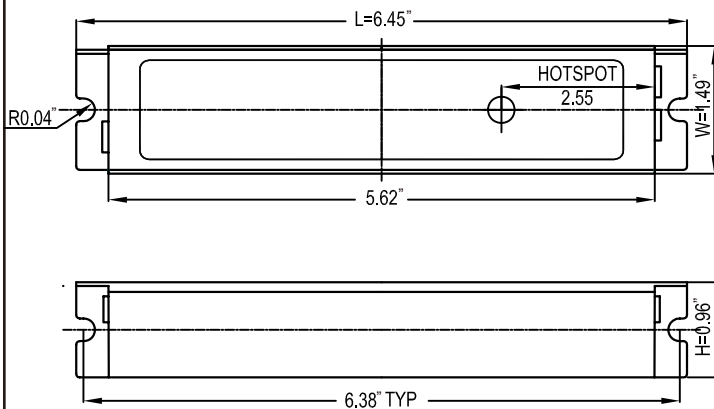


1 X 10-41W T5, 425mA UV LAMPs
OR
1 X GPH212T5L, GPH287T5L, GPH303T5L,
GPH357T5L, GPH436T5L, GPH793T5L, GPH843T5L

ELECTRICAL DATA

INPUT VOLTAGE	120VAC±10%, 50/60Hz						
LAMP WATTS TYPE	GPH212T5L	GPH287T5L	GPH303T5L	GPH357T5L	GPH436T5L	GPH793T5L	GPH843T5L
LAMPS OPERATED	1						
INPUT WATTS:(W)	12	17	17	21	25	39	40
LINE CURRENT:(A)	0.10	0.14	0.14	0.17	0.21	0.32	0.33
POWER FACTOR	>0.98	>0.99	>0.99	>0.99	>0.99	>0.99	>0.99
THD	<15%	<15%	<15%	<10%	<10%	<10%	<10%
EMI/RFI COMPLIANCE	FCC Part 18-B						
SOUND RATING	A						
BALLAST TYPE	PREHEATED START						
VOLTAGE TRANSIENTS	ANSI/IEEE C62.41 CLASS A						
INPUT PROTECTION	FUSE						
OUTPUT PROTECTION	EOL						
MIN. OPERATING TEMP	0°C(32°F)						
MAX CASE TEMP	75°C(167°F)						
POWER FACTOR CORRECTED	@ 240V WHEN USING LAMP TYPES HAS RATED POWER LESS THAN 21W						
APPROVALS/CLASS	UL /cUL LISTED, CLASS " P ", OUTDOOR TYPE 1,TYPE "CC",TYPE"HL", CE						

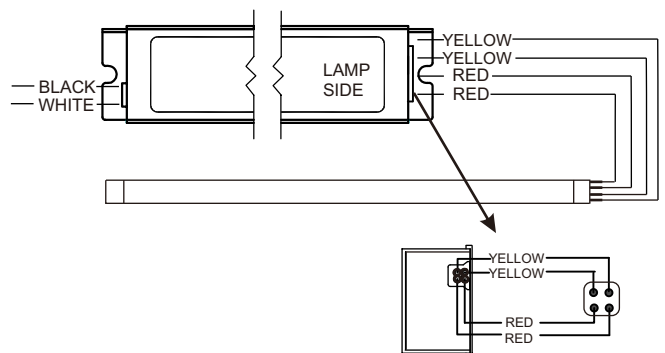
MECHANICAL DATA



Where : L = Length, W = Width, H = Height, Tolerance=±0.02"

WIRING DIAGRAMS

WIRE	BLACK	WHITE	RED	YELLOW
LENGTH-INCHES	12.0"±0.5"	12.0"±0.5"	14"±0.5"	14"±0.5"



NOTE : This Ballast Must Be Grounded

Fulham extends a limited warranty only to the original purchaser or to the first user for a period of 5 years from the date of manufacture when properly installed and operated under normal conditions of use. For complete terms and conditions, please reference the Fulham Product Catalog (www.fulham.com). Due to a program of continuous improvement, Fulham reserves the right to make modifications or variations in design or construction to the equipment described. © Fulham Company Limited, All Rights Reserved.

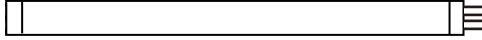
SPECIFICATION SHEET : SHS2-MLT-L



This Is An Original Product From Fulham Co., Inc

Description : Sun Horse electronic ballast developed for use with UV & tanning lamp applications

This Ballast Will Operate Following Lamps.

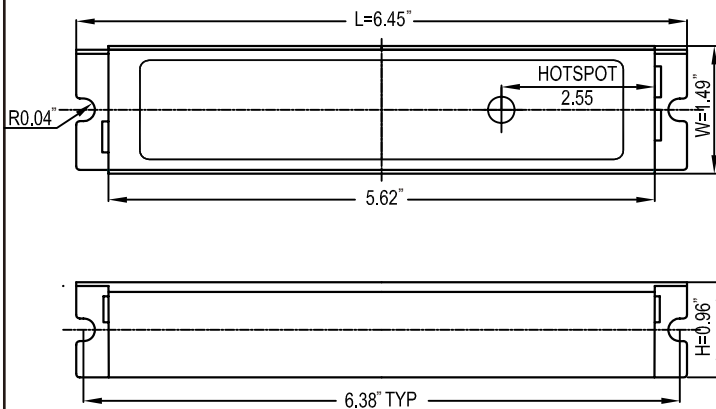


1 X 10-41W T5, 425mA UV LAMPS
OR
1 X GPH212T5L, GPH287T5L, GPH303T5L,
GPH357T5L, GPH436T5L, GPH793T5L, GPH843T5L

ELECTRICAL DATA

INPUT VOLTAGE	240VAC±10%, 50/60Hz						
LAMP WATTS TYPE	GPH212T5L	GPH287T5L	GPH303T5L	GPH357T5L	GPH436T5L	GPH793T5L	GPH843T5L
LAMPS OPERATED	1						
INPUT WATTS:(W)	13	16	16	20	24	38	38
LINE CURRENT:(A)	0.07	0.08	0.08	0.10	0.10	0.16	0.16
POWER FACTOR	>0.74	>0.81	>0.82	>0.87	>0.9	>0.96	>0.96
THD	<15%	<10%	<10%	<10%	<10%	<10%	<10%
EMI/RFI COMPLIANCE	FCC Part 18-B						
SOUND RATING	A						
BALLAST TYPE	PREHEATED START						
VOLTAGE TRANSIENTS	ANSI/IEEE C62.41 CLASS A						
INPUT PROTECTION	FUSE						
OUTPUT PROTECTION	EOL						
MIN. OPERATING TEMP	0°C(32°F)						
MAX CASE TEMP	75°C(167°F)						
POWER FACTOR CORRECTED	@ 240V WHEN USING LAMP TYPES HAS RATED POWER LESS THAN 21W						
APPROVALS/CLASS	UL /cUL LISTED, CLASS " P ", OUTDOOR TYPE 1,TYPE "CC",TYPE"HL", CE						

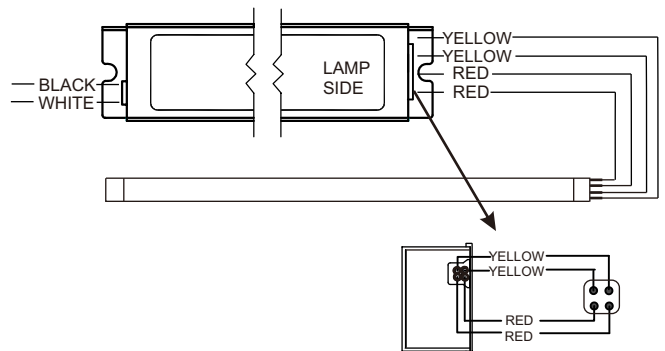
MECHANICAL DATA



Where : L = Length, W = Width, H = Height, Tolerance=±0.02"

WIRING DIAGRAMS

WIRE	BLACK	WHITE	RED	YELLOW
LENGTH-INCHES	12.0"±0.5"	12.0"±0.5"	14"±0.5"	14"±0.5"



NOTE : This Ballast Must Be Grounded

Fulham extends a limited warranty only to the original purchaser or to the first user for a period of 5 years from the date of manufacture when properly installed and operated under normal conditions of use. For complete terms and conditions, please reference the Fulham Product Catalog (www.fulham.com). Due to a program of continuous improvement, Fulham reserves the right to make modifications or variations in design or construction to the equipment described. © Fulham Company Limited, All Rights Reserved.