



Electronic Ballast For Use With UV & Tanning Applications

- Input Voltage/Frequency: 100-277VAC,50/60Hz
- Standard Output Current: 170mA
- This ballast is designed to operate the most commonly used small power G5 and 2G7 base UVC lamps ranging from 4W to 11W and operate them at 170mA.

General Specifications

Input Voltage / Frequency	100-277VAC, 50/60Hz
Max. Current	0.29A
Input Power	28.4W max
Power Factor	>0.9, Corrected Power Factor if operating @ 277V
THD	Refer to the electrical data sheet
Ballast Efficiency	Typically 80% Pin: 20W @230V
Ballast Type	Programmed Pre-Heat Start, Type R.S, Type CC, Type 1 outdoor
Max. Output Voltage / Output Voltage To Ground	279V
Load Rating	G4 T5/G6 T5/G8 T5(PHILIPS/USHIO),TUV PL-S 9W/4P(PHILIPS)
Number of Lamps	1 or 2
Standard Output Current	170mA
Lamp Type	UV & Tanning lamp
Lamp Wiring Method	Series Connection (when one lamp fails both lamps will turn off)
Lamp Operating Frequency	>=40KHZ
Lamp Current Crest Factor	<1.8
Number of Lamps Starts	>15,000
Lamp Preheat Time	1.5 Seconds
Remote Operation	8.20 ft (Max 2.5 m)
Max.Ambient Temperature	55°C (131°F)
Min.Operating Temperature	-30°C (-22°F)
Tc	90°C (194°F)
Case Dimensions	L 5.06" x W 2.36" x H 0.988" (128.5mm x 60.0mm x 25.1mm)
Connectors or Wires	Push in Connectors (Use 16-20AWG solid copper wire stripped to 3/8")
Weight	0.23 Kg(0.507 lb)
Approvals / Standards	UL935 (USA), CSA C22.2 NO.74 (Canada) EN/IEC 6137-1, EN/IEC 61347-2-3 / CE (Europe), CB J61347-1, J61347-2-3, USA (ANSI/IEEE C62.41)
IP Rating	IP20
RFI / EMI	FCC Part 18B (Consumer) Europe_Cispr15, PSE J55015(H29)
Protections	Input Surge Protection Line-Neutral 2.5KV, Line & Neutral-Ground 2.5KV Current Protection End of Life Protection
Sound Rating	A
Service Life	50,000 hours lifetime @ 75°C (167°F)
Warranty	5 years @Tc 75°C (167°F) from the date of manufacture

* Factory set output current options will require additional lamp/ballast verification testing and approval to ensure optimal performance. Fulham must approve lamp/ballast combination before hand.

WARNING

This product may utilize Germicidal Ultraviolet (UV-C) Lamps. Germicidal ultraviolet rays are harmful to the eyes and skin. Avoid exposure to direct or reflected germicidal ultraviolet rays. Follow all the other safety instructions according to installation sheet.

⚠ WARNING

This product may utilize Germicidal Ultraviolet (UV-C) Lamps. Germicidal ultraviolet rays are harmful to the eyes and skin. Avoid exposure to direct or reflected germicidal ultraviolet rays. Follow all the other safety instructions according to installation sheet.

Lamp List Electrical Data - 170mA

Electrical Data @100VAC 60Hz

Lamp Wattage / Type	Lamps Operated	Input Wattage	Input Current	Power Factor	Ballast Factor	Efficacy Factor	THD
TUV 6W G6T5	1	8.35	0.08	0.986	0.948	11.98	14.63
	2	14.61	0.15	0.994	0.956	6.85	9.96
TUV 8W G8T5	1	9.93	0.10	0.991	0.977	10.07	12.65
	2	19.47	0.19	0.996	0.961	5.14	8.18
TUV PL-S 9W/4P	1	10.98	0.11	0.990	0.939	9.11	12.23
	2	20.50	0.21	0.996	0.968	4.88	8.12
TUV 4W G4T5	1	N/A	N/A	N/A	N/A	N/A	N/A
	2	10.37	0.10	0.990	0.935	9.64	12.42
PL-S7W	1	7.77	0.08	0.986	0.964	12.87	12.48
	2	14.16	0.14	0.995	0.956	7.06	7.86
PL-S11W	1	15.65	0.16	0.996	0.963	6.39	7.07
	2	31.56	0.31	0.997	1.032	3.17	6.56
PL-S5W	1	N/A	N/A	N/A	N/A	N/A	N/A
	2	11.37	0.12	0.992	0.180	8.80	10.74
G10T5-10W	1	10.21	0.10	0.991	0.966	9.80	10.76
	2	18.89	0.19	0.997	0.981	5.29	6.50
G6T5	1	8.30	0.08	0.985	0.951	12.05	14.65
	2	14.25	0.14	0.995	0.979	7.02	9.96
G8T5	1	10.53	0.11	0.989	0.948	9.50	12.65
	2	19.67	0.20	0.995	0.954	5.08	8.44
G4T5	1	N/A	N/A	N/A	N/A	N/A	N/A
	2	10.37	0.10	0.990	0.935	9.64	12.42
HNS S/E 11W	1	14.06	0.14	0.995	0.977	7.11	7.07
	2	27.79	0.28	0.998	1.007	3.60	5.56



⚠ WARNING

This product may utilize Germicidal Ultraviolet (UV-C) Lamps. Germicidal ultraviolet rays are harmful to the eyes and skin. Avoid exposure to direct or reflected germicidal ultraviolet rays. Follow all the other safety instructions according to installation sheet.

Lamp List Electrical Data - 170mA

Electrical Data @120VAC 60Hz

Lamp Wattage / Type	Lamps Operated	Input Wattage	Input Current	Power Factor	Ballast Factor	Efficacy Factor	THD
TUV 6W G6T5	1	8.35	0.07	0.980	0.949	11.98	16.08
	2	14.45	0.12	0.991	0.957	6.92	11.16
TUV 8W G8T5	1	10.32	0.09	0.987	0.971	9.69	13.87
	2	19.23	0.16	0.994	0.966	5.20	9.06
TUV PL-S 9W/4P	1	10.73	0.09	0.985	0.937	9.32	13.80
	2	20.30	0.17	0.994	0.964	4.93	8.88
TUV 4W G4T5	1	N/A	N/A	N/A	N/A	N/A	N/A
	2	10.36	0.09	0.985	0.934	9.65	14.11
PL-S7W	1	8.08	0.07	0.981	0.963	12.37	13.62
	2	28.40	0.24	0.997	1.010	3.52	9.23
PL-S11W	1	15.58	0.13	0.993	0.962	6.42	8.47
	2	30.82	0.26	0.997	1.026	3.24	5.44
PL-S5W	1	N/A	N/A	N/A	N/A	N/A	N/A
	2	11.35	0.10	0.989	0.948	8.81	12.58
G10T5-10W	1	10.19	0.09	0.987	0.964	9.82	12.38
	2	18.79	0.16	0.995	0.980	5.33	7.57
G6T5	1	8.30	0.07	0.980	0.950	12.05	16.08
	2	14.18	0.12	0.992	0.979	7.05	11.11
G8T5	1	10.55	0.09	0.985	0.949	9.48	13.88
	2	19.41	0.16	0.994	0.954	5.15	9.55
G4T5	1	N/A	N/A	N/A	N/A	N/A	N/A
	2	10.36	0.09	0.984	0.934	9.65	14.11
HNS S/E 11W	1	14.81	0.13	0.992	0.979	6.75	8.46
	2	28.40	0.24	0.997	1.010	3.52	5.44



⚠ WARNING

This product may utilize Germicidal Ultraviolet (UV-C) Lamps. Germicidal ultraviolet rays are harmful to the eyes and skin. Avoid exposure to direct or reflected germicidal ultraviolet rays. Follow all the other safety instructions according to installation sheet.

Lamp List Electrical Data - 170mA

Electrical Data @230VAC 50Hz

Lamp Wattage / Type	Lamps Operated	Input Wattage	Input Current	Power Factor	Ballast Factor	Efficacy Factor	THD
TUV 6W G6T5	1	8.80	0.04	0.926	0.949	11.36	21.98
	2	14.77	0.07	0.963	0.955	6.77	17.86
TUV 8W G8T5	1	10.77	0.05	0.947	0.971	9.29	20.62
	2	19.04	0.08	0.973	0.967	5.25	15.63
TUV PL-S 9W/4P	1	11.20	0.05	0.945	0.940	8.93	20.96
	2	20.11	0.09	0.971	0.968	4.97	15.55
TUV 4W G4T5	1	N/A	N/A	N/A	N/A	N/A	N/A
	2	10.82	0.05	0.944	0.935	9.24	21.22
PL-S7W	1	8.57	0.04	0.930	0.960	11.66	22.58
	2	28.23	0.13	0.985	1.012	3.54	17.25
PL-S11W	1	15.87	0.07	0.968	0.965	6.30	14.83
	2	30.29	0.13	0.986	1.012	3.30	10.88
PL-S5W	1	N/A	N/A	N/A	N/A	N/A	N/A
	2	11.71	0.05	0.953	0.948	8.54	18.01
G10T5-10W	1	10.61	0.05	0.946	0.965	9.42	19.72
	2	18.91	0.09	0.974	0.978	5.29	14.94
G6T5	1	8.78	0.04	0.926	0.949	11.40	23.19
	2	14.50	0.07	0.964	0.978	6.90	17.90
G8T5	1	11.00	0.05	0.944	0.948	9.09	21.19
	2	19.32	0.09	0.973	0.955	5.18	16.10
G4T5	1	N/A	N/A	N/A	N/A	N/A	N/A
	2	10.82	0.05	0.944	0.935	9.24	21.15
HNS S/E 11W	1	15.10	0.07	0.966	0.980	6.62	14.85
	2	28.23	0.13	0.985	1.012	3.54	10.90

⚠ WARNING

This product may utilize Germicidal Ultraviolet (UV-C) Lamps. Germicidal ultraviolet rays are harmful to the eyes and skin. Avoid exposure to direct or reflected germicidal ultraviolet rays. Follow all the other safety instructions according to installation sheet.

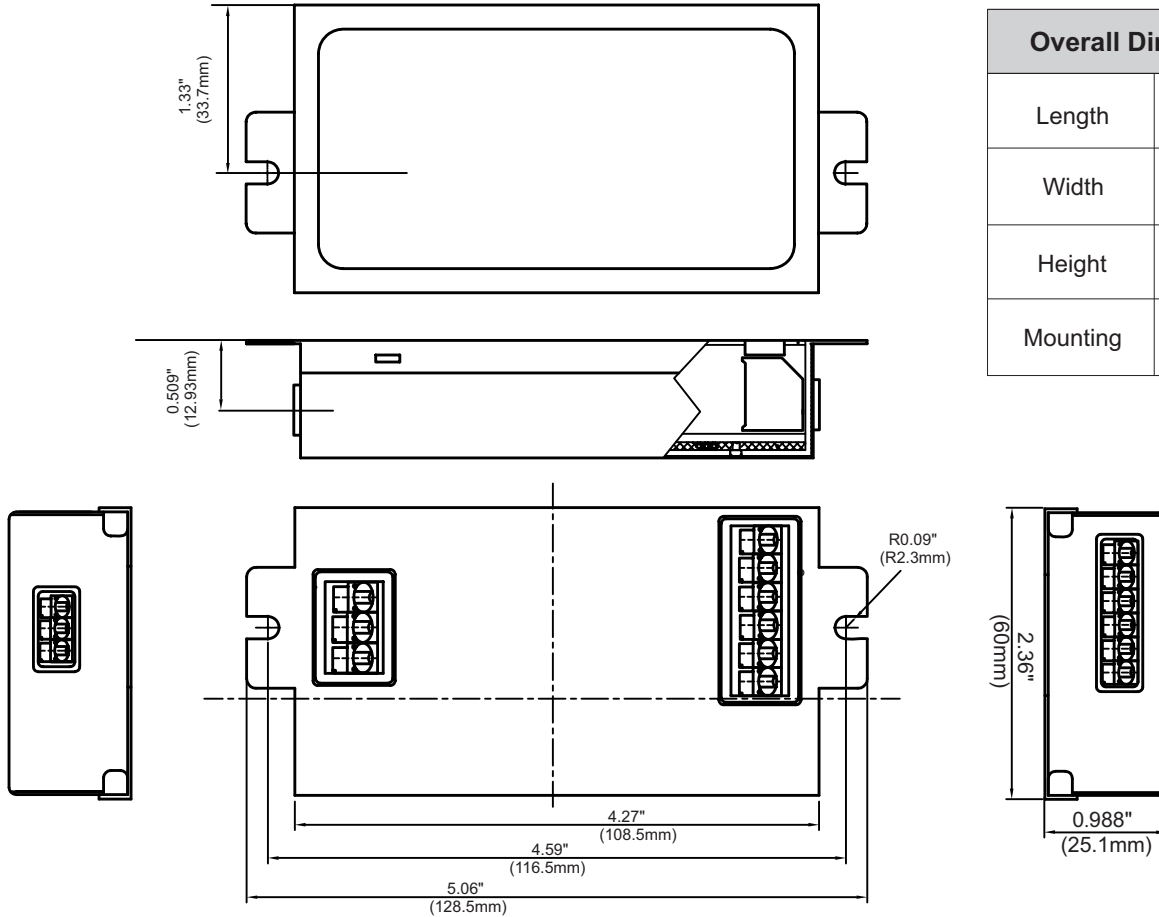
Lamp List Electrical Data - 170mA

Electrical Data @277VAC 60Hz

Lamp Wattage / Type	Lamps Operated	Input Wattage	Input Current	Power Factor	Ballast Factor	Efficacy Factor	THD
TUV 6W G6T5	1	9.23	0.04	0.867	0.949	10.84	18.53
	2	15.03	0.06	0.930	0.957	6.65	20.52
TUV 8W G8T5	1	11.06	0.04	0.907	0.973	9.04	18.9
	2	19.30	0.07	0.949	0.965	5.18	17.60
TUV PL-S 9W/4P	1	11.50	0.05	0.902	0.942	8.70	19.25
	2	20.28	0.08	0.952	0.968	4.93	17.53
TUV 4W G4T5	1	N/A	N/A	N/A	N/A	N/A	N/A
	2	11.22	0.04	0.897	0.936	8.91	17.86
PL-S7W	1	8.89	0.04	0.874	0.960	11.25	18.32
	2	28.37	0.11	0.972	1.015	3.53	19.84
PL-S11W	1	16.15	0.06	0.936	0.965	6.19	20.06
	2	30.35	0.11	0.973	1.102	3.30	12.36
PL-S5W	1	N/A	N/A	N/A	N/A	N/A	N/A
	2	11.98	0.05	0.915	0.948	8.35	19.86
G10T5-10W	1	10.95	0.04	0.906	0.966	9.14	18.45
	2	19.15	0.07	0.952	0.979	5.22	17.76
G6T5	1	9.20	0.04	0.865	0.950	10.87	18.55
	2	14.73	0.06	0.933	0.978	6.79	19.20
G8T5	1	11.30	0.05	0.901	0.949	8.85	18.90
	2	19.54	0.07	0.950	0.958	5.12	17.98
G4T5	1	N/A	N/A	N/A	N/A	N/A	N/A
	2	11.22	0.04	0.897	0.936	8.91	17.86
HNS S/E 11W	1	15.38	0.06	0.937	0.978	6.50	20.05
	2	28.37	0.11	0.972	1.015	3.53	12.41



Mechanical Data



Overall Dimensions	
Length	5.06" [128.5mm]
Width	2.36" [60.0mm]
Height	0.988" [25.1mm]
Mounting	4.59" [116.5mm]

Where : L = Length, W = Width, H = Height

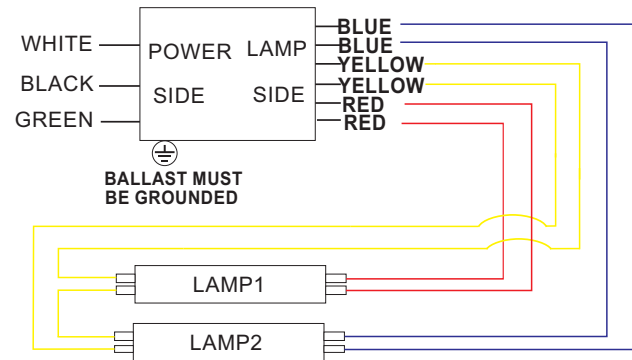
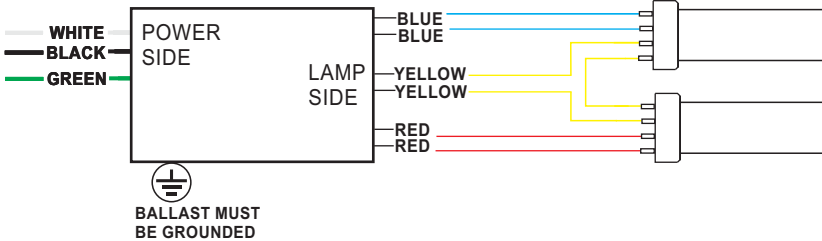
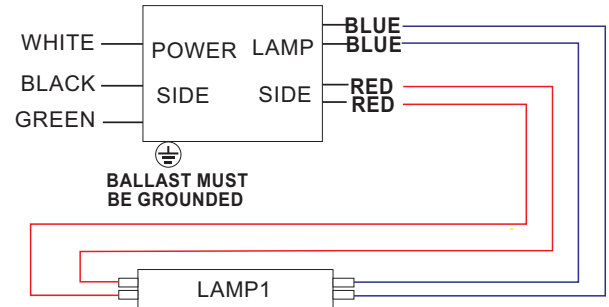
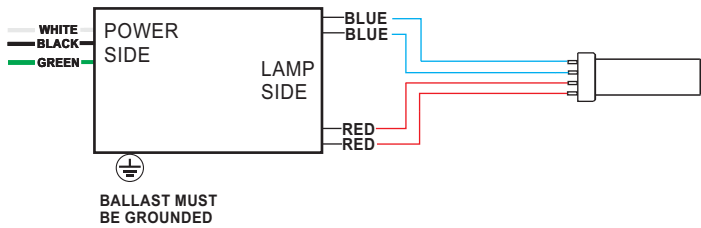
±0.01" Tolerance

Note:

- 1.) This ballast must be grounded.
- 2.) Use 18AWG solid copper wire stripped to 3/8" with ballast push in connectors.



UV Light Wiring Diagram



Note: When one lamp fails both lamps will turn off.

Note:

- 1.) This ballast must be grounded.
- 2.) Use 18AWG solid copper wire stripped to 3/8" with ballast push in connectors.



SHS1-UNV-C-0170



Part Number Matrix

SH

Product Line

SH = SunHorse

S

Ballast Type

S = Standard

1

Ballast Order Number

UNV

Input Voltage

UNV = 100V-277V

C

Case Type

C = Cube or Compact

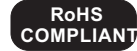
0170

* Output Current

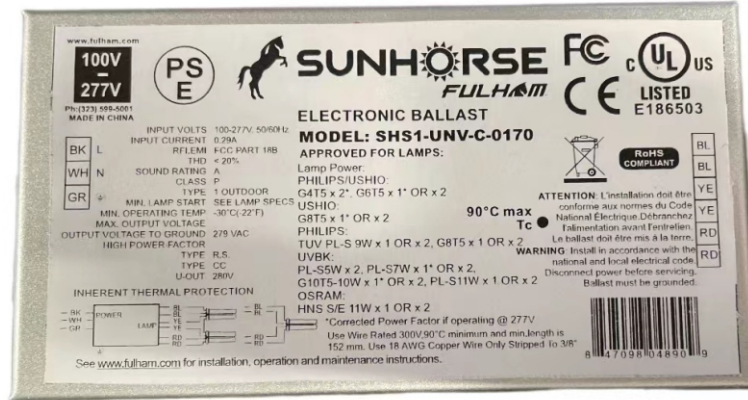
0170 = 170mA



SHS1-UNV-C-0170

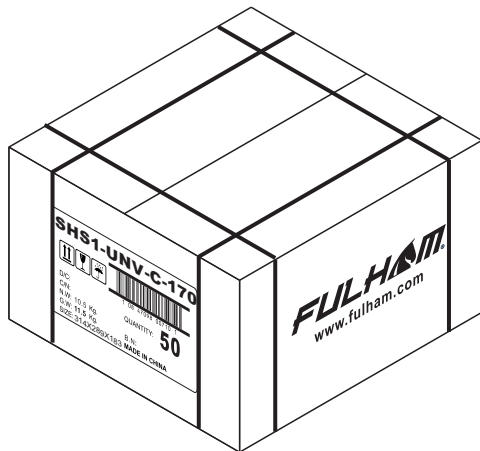


Product Image



Packaging

Master Carton



OUTER DIMENSION		
L	W	H
12.36" (314mm)	11.38"(289mm)	7.20" (183mm)
Net Weight	Gross Weight	QUANTITY
23.15bs. (10.5kg.)	25.35lbs. (11.5kg)	50pcs.