

SPECIFICATION SHEET : SC-230-118-CFL

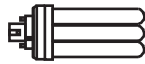
This Is An Original Product From Fulham Co., Inc

**Description : PONY Series, High Frequency Electronic, Rapid Start Ballast,
* Meets Energy Star 4.0 Criteria For Applications Listed.**

This Ballast Will Operate Following Lamps.



**QUAD (CFQ/E), 4 PIN
18W**



**TRIPLE(CFTR/E), 4 PIN
18W**

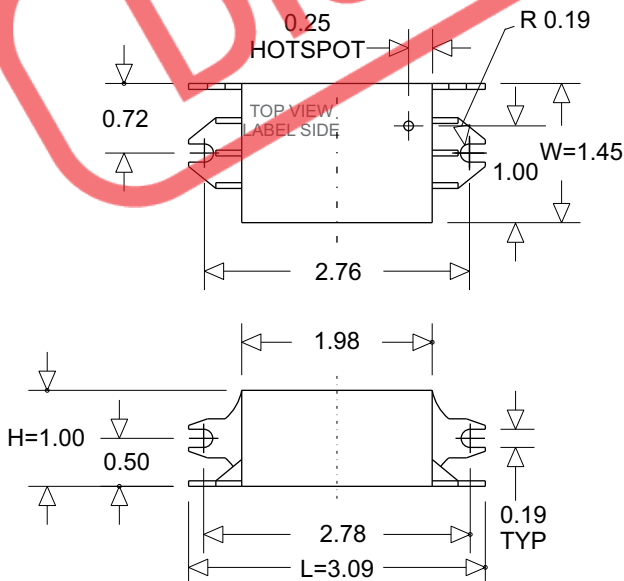


F15T8

ELECTRICAL DATA

INPUT VOLT: 230V ± 10%, 50/60Hz						
LAMP WATTS/TYPE	18CFQ/E	18CFTR/E	F15T8	-	-	-
LAMPS OPERATED	1	1	1			
INPUT WATTS	19.88	18.69	15.04			
LINE CURRENT:	0.160	0.151	0.127			
POWER FACTOR	0.540	0.537	0.516			
BALLAST FACTOR	1.063	1.022	1.005			
EFFICACY FACTOR	5.349	5.470	6.685			
THD	151.10	151.40	155.70			
CURRENT CREST FACTOR	< 1.7					
EMI/RFI COMPLIANCE	FCC PART 18-B (Consumer)					
SOUND RATING	"A"					
BALLAST TYPE	RAPID START					
VOLTAGE TRANSIENTS	ANSI 62.41					
INPUT/PROTECTION	FUSE					
OUTPUT/PROTECTION	EOL					
MIN. OPERATING TEMP	0 °C (32 °F)					
MAX. CASE TEMP	75 °C (167 °F)					
APPROVALS/CLASS	UL /cUL LISTED, CLASS " P ", 1 OUTDOOR					

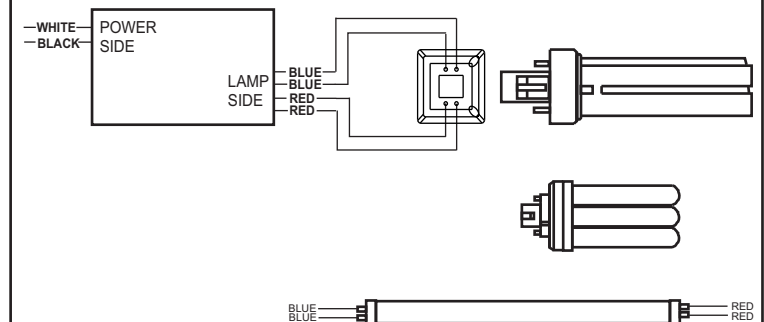
MECHANICAL DATA



Where : L = Length, W = Width, H = Height

WIRING DIAGRAMS

WIRE	BLACK	WHITE	RED	BLUE	YELLOW	BROWN
LENGTH - INCHES	12 ± 1"	12 ± 1"	28 ± 1"	28 ± 1"		



NOTE : This Plastic Case Ballast Does Not Require Grounding

Fulham extends a limited warranty only to the original purchaser or to the first user for a period of 2 years from the date of manufacture when properly installed and operated under normal conditions of use. For complete terms and conditions, please reference the Fulham product catalog (www.fulham.com)
Due to a program of continuous improvement, Fulham reserves the right to make modifications or variations in design or construction to the equipment described.