



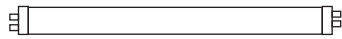
Discontinued
Contact Fulham for availability. Not for use in new designs.

SPECIFICATION SHEET : SC-230-115-LT8

This Is An Original Product From Fulham Co., Inc

**Description : PONY Series, High Frequency Electronic, Rapid Start Ballast,
* Meets Energy Star 4.0 Criteria For Applications Listed.**

This Ballast Will Operate Following Lamps.



F14T8 / F15T8

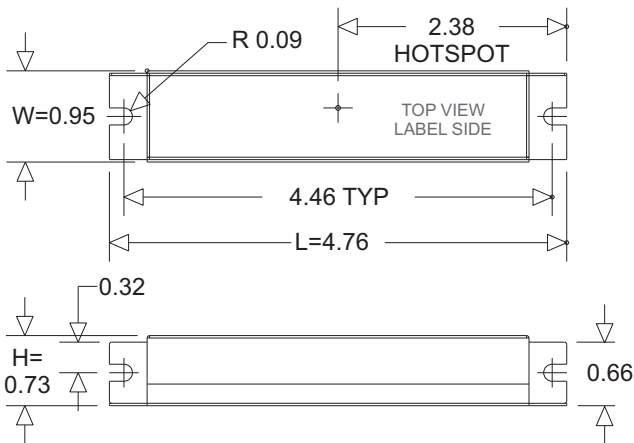


F14T12 / F15T12

ELECTRICAL DATA

| | | | | | | | | | |
|---------------------------------|--------------------------|--------|--------|--------|---|---|---|---|---|
| INPUT VOLT: 230V ± 10%, 50/60Hz | | | | | | | | | |
| LAMP WATTS/TYPE | F14T8 | F15T8 | F14T12 | F15T12 | - | - | - | - | - |
| LAMPS OPERATED | 1 | 1 | 1 | 1 | | | | | |
| INPUT WATTS | 13.13 | 15.09 | 12.07 | 14.59 | | | | | |
| LINE CURRENT: | 0.117 | 0.135 | 0.108 | 0.127 | | | | | |
| POWER FACTOR | 0.490 | 0.487 | 0.487 | 0.500 | | | | | |
| BALLAST FACTOR | 0.913 | 0.990 | 0.826 | 0.956 | | | | | |
| EFFICACY FACTOR | 6.950 | 7.612 | 6.839 | 6.550 | | | | | |
| THD | 156.80 | 157.70 | 159.40 | 151.40 | | | | | |
| CURRENT CREST FACTOR | < 1.7 | | | | | | | | |
| EMI/RFI COMPLIANCE | FCC PART 18-B (Consumer) | | | | | | | | |
| SOUND RATING | " A " | | | | | | | | |
| BALLAST TYPE | RAPID START | | | | | | | | |
| VOLTAGE TRANSIENTS | ANSI 62.41 | | | | | | | | |
| INPUT/PROTECTION | FUZE | | | | | | | | |
| OUTPUT/PROTECTION | EOL | | | | | | | | |
| MIN. OPERATING TEMP | 0 °C (32 ° F) | | | | | | | | |
| MAX. CASE TEMP | 75 °C (167 ° F) | | | | | | | | |

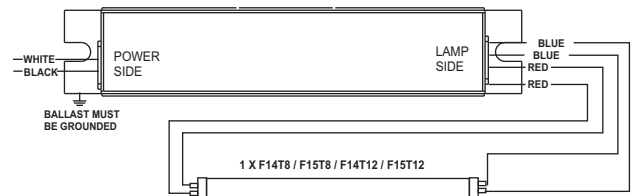
MECHANICAL DATA



Where : L = Length, W = Width, H = Height

WIRING DIAGRAMS

| WIRE | BLACK | WHITE | RED | BLUE | YELLOW | BROWN |
|-----------------|---------|---------|---------|---------|--------|-------|
| LENGTH - INCHES | 12 ± 1" | 12 ± 1" | 28 ± 1" | 28 ± 1" | | |



NOTE : This Ballast Case Must Be Grounded

Fulham Co., Inc extends limited warranty only to the original purchaser or to the first user for the period of 2 years from the date of manufacture as indicated by the date code stamped on each product and when properly installed and under normal conditions of use. For additional warranty guide line, please refer to our Complete Product Catalog OR call Customer Service at 1-800-2-Fulham.

DUE TO A PROGRAM OF CONTINUOUS IMPROVEMENT, FULHAM Co., INC RESERVES THE RIGHT TO MAKE ANY VARIATION IN DESIGN OR CONSTRUCTION TO THE EQUIPMENT DESCRIBED.

Address : 12705 South Van Ness Ave., Hawthorne, CA 90250 Tel.: 1-800-2-fulham, Fax.: 1-323-754-9060. Website: www.fulham.com