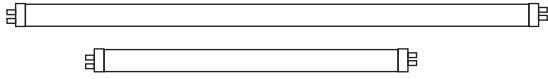


SPECIFICATION SHEET : SC-120-213-LT5

This Is An Original Product From Fulham Co., Inc

Description : PONY Series, High Frequency Electronic, Rapid Start Ballast,

This Ballast Will Operate Following Lamps.

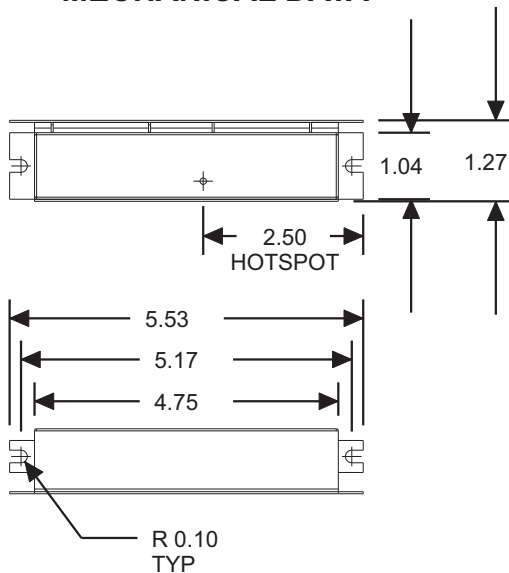


F8T5 / F15T8/F13T5 / F14T5 / F21T5/

ELECTRICAL DATA

INPUT VOLT: 120V ± 10% , 50/60Hz					
LAMP WATTS/TYPE	F13T5	F14T5	F15T8	F8+F13T5	F21T5
LAMPS OPERATED	2			1	
INPUT WATTS	30	30	23	24	24
LINE CURRENT:	0.35	0.35	0.28	0.29	0.29
POWER FACTOR	0.72	0.72	0.70	0.70	0.70
BALLAST FACTOR	0.88	0.77	0.68	1.03	0.99
EFFICACY FACTOR	2.93	2.57	2.91	4.21	4.03
THD	90.9%	89.4%	97.0%	95.7%	97.1%
CURRENT CREST FACTOR	1.48	1.48	1.48	1.53	1.49
EMI/RFI COMPLIANCE	FCC PART 18-A (NON-Consumer)				
SOUND RATING	" A "				
BALLAST TYPE	RAPID START				
VOLTAGE TRANSIENTS	ANSI 62.41				
INPUT/PROTECTION	FUZE				
OUTPUT/PROTECTION	EOL				
MIN. OPERATING TEMP	-10°C (14°F)				
MAX. CASE TEMP	75 °C (167 °F)				
ENERGY STAR 4.0	-----				
APPROVALS/CLASS	UL /cUL LISTED, CLASS " P ", 1 OUTDOOR				

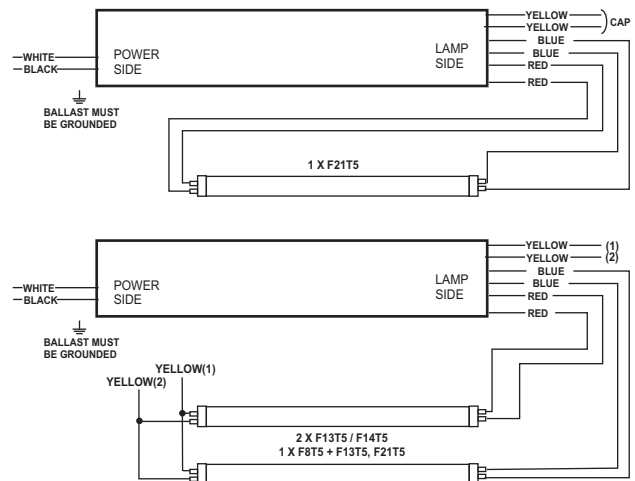
MECHANICAL DATA



Where : L = Length, W = Width, H = Height

WIRING DIAGRAMS

WIRE	BLACK	WHITE	RED	BLUE	YELLOW	BROWN
LENGTH - INCHES	12 ± 1"	12 ± 1"	36 ± 1"	36 ± 1"	36 ± 1"	



NOTE : This Ballast Case Must Be Grounded

Fulham Co., Inc extends limited warranty only to the original purchaser or to the first user for the period of **2 years** from the date of manufacture as indicated by the date code stamped on each product and when properly installed and under normal conditions of use. For additional warranty guide line, please refer to our Complete Product Catalog OR call Customer Service at 1-323-599-5000.

DUE TO A PROGRAM OF CONTINUOUS IMPROVEMENT, FULHAM Co., INC RESERVES THE RIGHT TO MAKE ANY VARIATION IN DESIGN OR CONSTRUCTION TO THE EQUIPMENT DESCRIBED.

Address : 12705 South Van Ness Ave., Hawthorne, CA 90250 Tel.: 1-323-599-5000, Fax.: 1-323-754-9060. Website: www.fulham.com