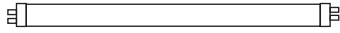


SPECIFICATION SHEET : SC-120-125-LT8R

This Is An Original Product From Fulham Co., Inc

**Description : PONY Series, High Frequency Electronic, Rapid Start Ballast,
* Meets Energy Star 4.0 Criteria For Applications Listed.**

This Ballast Will Operate Following Lamps.

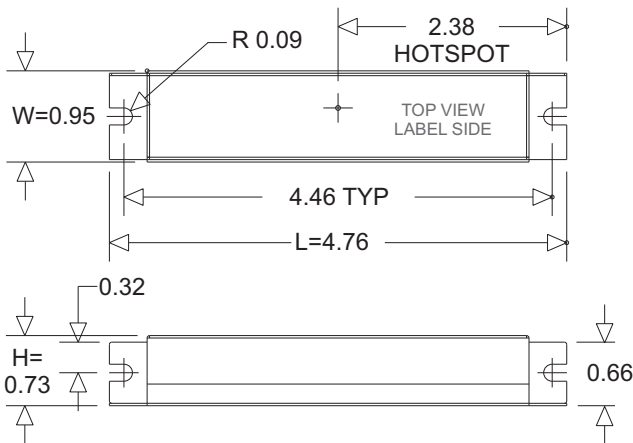


F17T8 / F25T8

ELECTRICAL DATA

INPUT VOLT: 120V ± 10%, 50/60Hz									
LAMP WATTS/TYPE	F17T8	F25T8	-	-	-	-	-	-	-
LAMPS OPERATED	1	1							
INPUT WATTS	16.57	21.92							
LINE CURRENT:	0.275	0.334							
POWER FACTOR	0.502	0.547							
BALLAST FACTOR	1.102	0.833							
EFFICACY FACTOR	6.139	3.798							
THD	165.40	143.50							
CURRENT CREST FACTOR	< 1.7								
EMI/RFI COMPLIANCE	FCC PART 18-B (Consumer)								
SOUND RATING	" A "								
BALLAST TYPE	RAPID START								
VOLTAGE TRANSIENTS	ANSI 62.41								
INPUT/PROTECTION	FUZE								
OUTPUT/PROTECTION	EOL								
MIN. OPERATING TEMP	0 °C (32 °F)								
MAX. CASE TEMP	75 °C (167 °F)								
RoHS	MEETS EUROPEAN RoHS DIRECTIVE 2002/95/EC								
ENERGY STAR 4.0	-								
APPROVALS/CLASS	UL /cUL LISTED, CLASS " P ", 1 OUTDOOR								

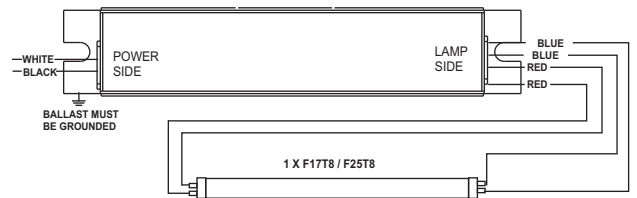
MECHANICAL DATA



Where : L = Length, W = Width, H = Height

WIRING DIAGRAMS

WIRE	BLACK	WHITE	RED	BLUE	YELLOW	BROWN
LENGTH - INCHES	12 ± 1"	12 ± 1"	36 ± 1"	36 ± 1"		



NOTE : This Ballast Case Must Be Grounded

Fulham Co., Inc extends limited warranty only to the original purchaser or to the first user for the period of 2 years from the date of manufacture as indicated by the date code stamped on each product and when properly installed and under normal conditions of use. For additional warranty guide line, please refer to our Complete Product Catalog OR call Customer Service at 1-323-599-5000.

DUE TO A PROGRAM OF CONTINUOUS IMPROVEMENT, FULHAM Co., INC RESERVES THE RIGHT TO MAKE ANY VARIATION IN DESIGN OR CONSTRUCTION TO THE EQUIPMENT DESCRIBED.

Address : 12705 South Van Ness Ave., Hawthorne, CA 90250 Tel.: 1-323-599-5000, Fax.: 1-323-754-9060. Website: www.fulham.com