

SPECIFICATION SHEET : SC-120-117-LT8

This Is An Original Product From Fulham Co., Inc

**Description : PONY Series, High Frequency Electronic, Rapid Start Ballast,
* Meets Energy Star 4.0 Criteria For Applications Listed.**

This Ballast Will Operate Following Lamps.

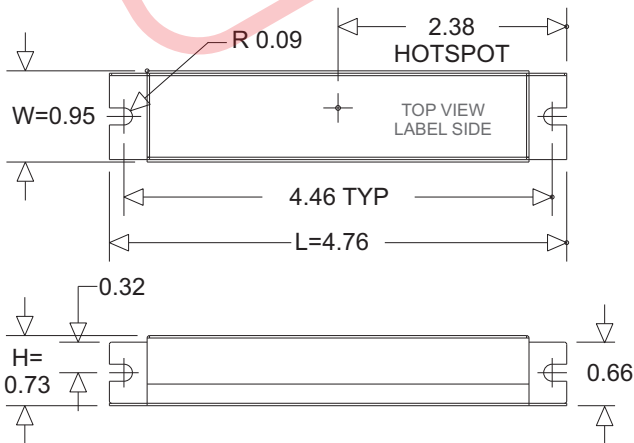


F15T8 / F17T8

ELECTRICAL DATA

INPUT VOLT: 120V ± 10%, 50/60Hz								
LAMP WATTS/TYPE	F15T8	F17T8	-	-	-	-	-	-
LAMPS OPERATED	1	1						
INPUT WATTS	13.80	15.87						
LINE CURRENT:	0.243	0.265						
POWER FACTOR	0.474	0.498						
BALLAST FACTOR	0.930	1.000						
EFFICACY FACTOR	6.738	6.310						
THD	172.80	160.90						
CURRENT CREST FACTOR	< 1.7							
EMI/RFI COMPLIANCE	FCC PART 18-B (CONSUMER)							
SOUND RATING	" A "							
BALLAST TYPE	RAPID START							
VOLTAGE TRANSIENTS	ANSI 62.41							
INPUT/PROTECTION	FUSE							
OUTPUT/PROTECTION	EOL							
MIN. OPERATING TEMP	0 °C (32 ° F)							
MAX. CASE TEMP	75 °C (167 ° F)							
ENERGY STAR 4.0	-							
APPROVALS/CLASS	UL /cUL LISTED, CLASS " P ", 1 OUTDOOR							

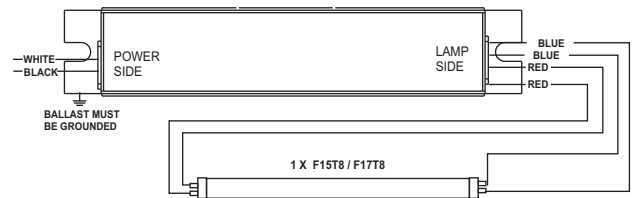
MECHANICAL DATA



Where : L = Length, W = Width, H = Height

WIRING DIAGRAMS

WIRE	BLACK	WHITE	RED	BLUE	YELLOW	BROWN
LENGTH - INCHES	12 ± 1"	12 ± 1"	28 ± 1"	28 ± 1"		



NOTE : The Ballast Must Be Grounded

Fulham Co., Inc extends limited warranty only to the original purchaser or to the first user for the period of 2 years from the date of manufacture as indicated by the date code stamped on each product and when properly installed and under normal conditions of use. For additional warranty guide line, please refer to our Complete Product Catalog OR call Customer Service at 1-323-599-5000.

DUE TO A PROGRAM OF CONTINUOUS IMPROVEMENT, FULHAM Co., INC RESERVES THE RIGHT TO MAKE ANY VARIATION IN DESIGN OR CONSTRUCTION TO THE EQUIPMENT DESCRIBED.

Address : 12705 South Van Ness Ave., Hawthorne, CA 90250 Tel.: 1-323-599-5000, Fax.: 1-323-754-9060. Website: www.fulham.com

2006-84 rev A