

Discontinued

Contact Fulham for availability. Not for use in new designs.

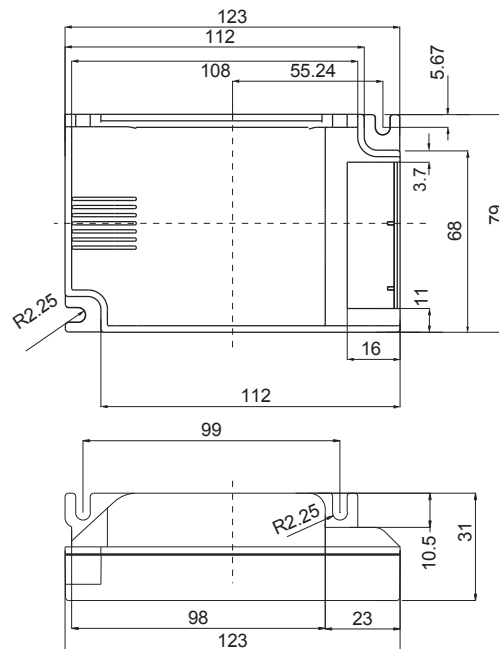
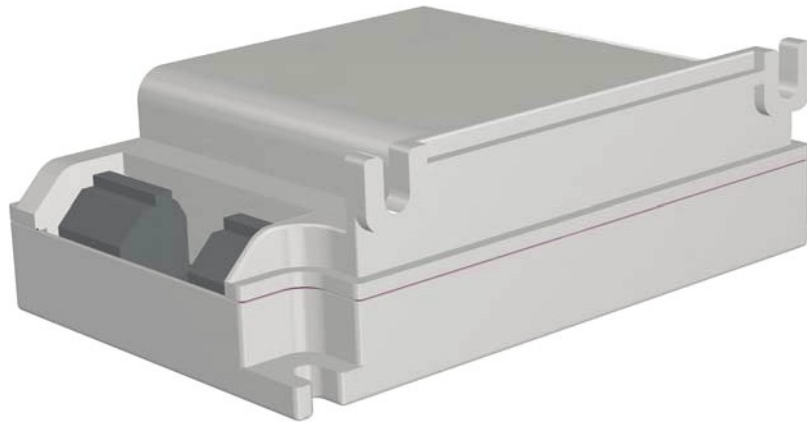
Description:

RaceHorse 230V Series, Electronic Ballasts, Programmed Preheat-Start, Cut-Off Technology, Thermal Protection, End-Of-Life (EOL) Protection, High Power Factor due to Active Power Factor Control (APFC) Technology.

RaceHorse 230V Serie, Elektronische Vorschaltgeräte (EVG), Programmierter Warm-Start, Cut-Off Technologie, Wärmeschutz, Sicherheitsabschaltung bei defekten Lampen, hoher Leistungsfaktor durch APFC- Technologie.

This Ballast Will Operate Following Lamp :

Please refer to Lamp List

Mechanical Data:


Fulham Company extends limited warranty only to the original purchaser or to the first user for the period of 5 years from the date of manufacture as indicated by the date code stamped on each product and when properly installed and under normal conditions of use.

DUE TO A PROGRAM OF CONTINUOUS IMPROVEMENT, FULHAM Co., INC RESERVES THE RIGHT TO MAKE ANY VARIATION IN DESIGN OR CONSTRUCTION TO THE EQUIPMENT DESIGNED AND MANUFACTURED BY FULHAM COMPANY.

Fulham Co., Inc. Address: 12705 South Van Ness Ave., Hawthorne, CA 90250 Tel.: 1-323-599-5000 Fax.: 1-323-754-9060 Website: www.fulham.com

2008-1007

Fulham Company GmbH Adresse: Karolinenstrasse 18, D-58507 Lüdenscheid, Germany Fon: +49 2351 4327416 Fax: +49 2351 6567349 Handelsregister Iserlohn: HR B 6286

Electrical Data:

Input Voltage [V]	Versorgungsspannung [V]	220 - 240
Power Line Frequency [Hz]	Netzfrequenz [Hz]	50 / 60
Input Voltage Range [V]	Wechsel-/Eingangsspannungsbereich [V]	(-10%) 198 - 264 (+10%)
DC-Voltage Range [V]	Gleichspannungsbereich [V]	176 - 280
Overvoltage Consistency [V AC, 1h]	Überspannungsfestigkeit [V AC, 1h]	320
Maximum Line Current [A]	Max. Leitungsstrom [A]	a) - e): 0.125, 0.125, 0.095, 0.084, 0.129
Input Wattage (Lamp+Ballast) [W]	Systemleistung (Lampe+EVG) [W]	a) - e): 28.5; 28.5; 21.0; 18.0; 29.0
Input Power Factor (PF) [λ]	(Eingangs-) LeistungsFaktor [λ]	a) - e): 0.97; 0.97; 0.97; 0.97; 0.97; 0.97
Line Current Harmonics (THD) [%]	Korrigierte Netzstromüberschwingungen [%]	10
Lamp Designation System	Lampenbezeichnungssystem	ZVEI - LBS
a) Numbers / Lamp Types Operated	a) Lampen: Anzahl / Name / Leistung	2 x TC-DEL 13 W
b) Numbers / Lamp Types Operated	b) Lampen: Anzahl / Name / Leistung	2 x TC-TEL 13 W
c) Numbers / Lamp Types Operated	c) Lampen: Anzahl / Name / Leistung	2 x TC-DEL 10 W
d) Numbers / Lamp Types Operated	d) Lampen: Anzahl / Name / Leistung	2 x TC-SEL 9 W
e) Numbers / Lamp Types Operated	e) Lampen: Anzahl / Name / Leistung	2 x TC-SEL 11 W
Dimmable	Dimmbar	<input type="checkbox"/> Yes <input checked="" type="checkbox"/> No
Lamp Operating Frequency [KHz]	Lampenbetriebsfrequenz [kHz]	> 40
Ignition Method (PH, RS or IS)	Startmechanismus	<input checked="" type="checkbox"/> PH <input type="checkbox"/> RS <input type="checkbox"/> IS
Preheat Time [S]	Vorheizzeit [S]	0.4 < PT < 1.5
Automatic restart after lamp change	Autom. Wiederstart nach Lampenwechsel	<input checked="" type="checkbox"/> Yes <input type="checkbox"/> No
Thermal Protection (EN 61347-2-3)	Wärmeschutz (EN 61347-2-3)	<input checked="" type="checkbox"/> Yes <input type="checkbox"/> No
End Of Life (EOL) Protection	Sicherheitsabschaltung bei Lampendefekt	<input checked="" type="checkbox"/> Yes <input type="checkbox"/> No
Suitable for luminaires with protection class	Schutzklasse der Leuchten	<input checked="" type="checkbox"/> I <input checked="" type="checkbox"/> II
Master Carton Quantity	Menge im Masterkarton	50
Label	Etikettengestaltung	<input checked="" type="checkbox"/> Fulham <input type="checkbox"/> Private
Weight [gr]	Gewicht [gr]	170
Weight of the Carton [gr]	Gewicht des Versandkartons [gr]	9,800
Case Dimensions-Length with Mount [mm]	Gehäusemass - Gesamt [mm]	L 123
Case Dimensions-Length w/o Mount [mm]	Gehäusemass - Befestigungsabstand [mm]	L 123
Case Dimensions-Length betw. mounting holes [mm]	Gehäusemass - Abstand Befestigungslöcher [mm]	L 129.5 (diagonal)
Case Dimensions-Width [mm]	Gehäusemass - Breite [mm]	W 79
Case Dimensions-Height [mm]	Gehäusemass - Höhe [mm]	H 31
Case Material	Gehäusematerial	Thermoplast (inflammable)
Primary strip length [mm]	Abisolierlänge Primärseitig [mm]	Min. 8,5 ... Max. 9,5
Secondary strip length [mm]	Abisolierlänge Sekundärseitig [mm]	Min. 8,5 ... Max. 9,5
Permissible cable lengths --- Hot wires [m]	Gestattete Leitungslänge - Hot [m]	1
Permissible cable lengths --- Cold wires [m]	Gestattete Leitungslänge - Cold [m]	2
EEL Classification	EEL Klassifizierung	EEL = A2
CE (with compliance RoHS)	CE (mit RoHS Tauglichkeit)	EN 61347-2-3
EMC Immunity	Immunität	EN 61547
Harmonic Content	Oberwellengehalt	IEC / EN 61000-3-2
Radio Interference Suppression	Funkentstörung	DIN VDE 0875 / EN 55015
Performance ENEC	ENEC Prüfzeichen	IEC 60929
Approval Mark	Prüfzeichen	ENEC, VDE, EMV (VDE-Germany)
Max. Case Hot Spot Temperature [°C]	Zulässige Gehäusetemperatur tc [°C]	+70
Max. Case Temperature in case of Failure [°C]	Max. Gehäusetemperatur im Fehlerfall [°C]	+ 110
Min. Ambient Temperature [°C]	Min. Umgebungstemperatur ta [°C]	- 25
Max. Ambient Temperature [°C]	Max. Umgebungstemperatur ta [°C]	+ 60
Min. Storage Temperature [°C]	Min. Lagerungstemperatur [°C]	- 40
Max. Storage Temperature [°C]	Max. Lagerungstemperatur [°C]	+ 85



Fulham Company extends limited warranty only to the original purchaser or to the first user for the period of 5 years from the date of manufacture as indicated by the date code stamped on each product and when properly installed and under normal conditions of use.

DUE TO A PROGRAM OF CONTINUOUS IMPROVEMENT, FULHAM Co., INC RESERVES THE RIGHT TO MAKE ANY VARIATION IN DESIGN OR CONSTRUCTION TO THE EQUIPMENT DES

Fulham Co., Inc. Address: 12705 South Van Ness Ave., Hawthorne, CA 90250 Tel.: 1-323-599-5000 Fax.: 1-323-754-9060 Website: www.fulham.com

2008-1008

Fulham Company GmbH Adresse: Karolinenstrasse 18, D-58507 Lüdenscheid, Germany Fon: +49 2351 4327416 Fax: +49 2351 6567349 Handelsregister Iserlohn: HR B 6286