

**Description:**

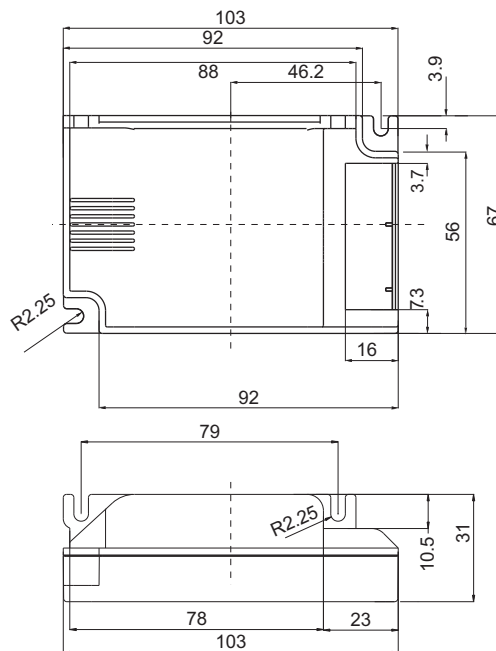
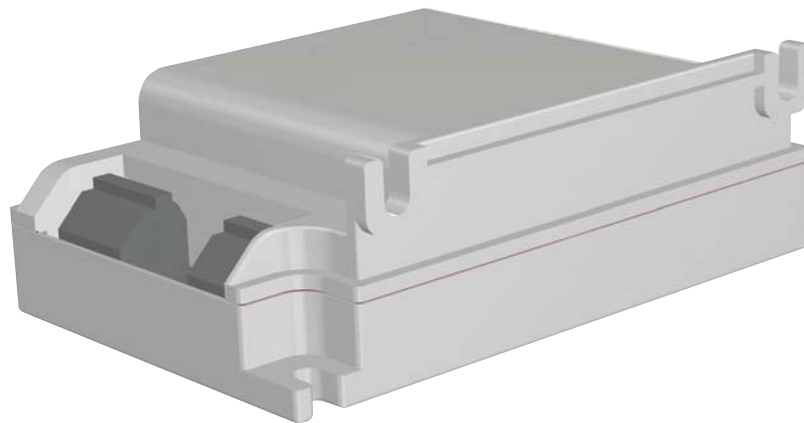
RaceHorse 230V Series, Electronic Ballasts, Programmed Preheat-Start, Cut-Off Technology, Thermal Protection, End-Of-Life (EOL) Protection, High Power Factor due to Active Power Factor Control (APFC) Technology.

RaceHorse 230V Serie, Elektronische Vorschaltgeräte (EVG), Programmierter Warm-Start, Cut-Off Technologie, Wärmeschutz, Sicherheitsabschaltung bei defekten Lampen, hoher Leistungsfaktor durch APFC- Technologie.

**This Ballast Will Operate Following Lamps:**

Please refer to Lamp List

**Mechanical Data:**



Fulham Company extends limited warranty only to the original purchaser or to the first user for the period of **5 years** from the date of manufacture as indicated by the date code stamped on each product and when properly installed and under normal conditions of use.

DUE TO A PROGRAM OF CONTINUOUS IMPROVEMENT FULHAM Co., INC RESERVES THE RIGHT TO MAKE ANY VARIATION IN DESIGN OR CONSTRUCTION TO THE EQUIPMENT DESCRIBED.

**Fulham Co., Inc. Address:** 12705 South Van Ness Ave., Hawthorne, CA 90250 **Tel.:** 1-323-599-5000 **Fax.:** 1-323-754-9060 **Website:** www.fulham.com

2008-1003

**Fulham Company GmbH Adresse:** Karolinenstrasse 18, D-58507 Lüdenscheid, Germany **Fon:** +49 2351 4327416 **Fax:** +49 2351 6567349 **Handelsregister Iserlohn:** HR B 6286

**Electrical Data:**

|  |   |  |
|--|---|--|
| Input Voltage [V]                                | Versorgungsspannung [V]                       | 220 - 240  |
| Power Line Frequency [Hz]                        | Netzfrequenz [Hz]                             | 50 / 60  |
| Input Voltage Range [V]                          | Wechsel-/Eingangsspannungsbereich [V]         | (-10%) 198 - 264 (+10%)  |
| DC-Voltage Range [V]                             | Gleichspannungsbereich [V]                    | 176 - 280  |
| Overvoltage Consistency [V AC, 1h]               | Überspannungsfestigkeit [V AC, 1h]            | 320  |
| Maximum Line Current [A]                         | Max. Leitungsstrom [A]                        | a) - b): 0.085; 0.085  |
| Input Wattage (Lamp+Ballast) [W]                 | Systemleistung (Lampe+EVG) [W]                | a) - b): 19.5; 19.5  |
| Input Power Factor (PF) [λ]                      | (Eingangs-) LeistungsFaktor [λ]               | a) - b): 0.98; 0.98  |
| Line Current Harmonics (THD) [%]                 | Korrigierte Netzstromoberschwingungen [%]     | <10  |
| Lamp Designation System                          | Lampenbezeichnungssystem                      | ZVEI - LBS   |
| a) Numbers / Lamp Types Operated                 | a) Lampen: Anzahl / Name / Leistung           | 1 x TC-DEL 18 W  |
| b) Numbers / Lamp Types Operated                 | b) Lampen: Anzahl / Name / Leistung           | 1 x TC-TEL 18 W  |
| c) Numbers / Lamp Types Operated                 | c) Lampen: Anzahl / Name / Leistung           |  |
| d) Numbers / Lamp Types Operated                 | d) Lampen: Anzahl / Name / Leistung           |  |
| e) Numbers / Lamp Types Operated                 | e) Lampen: Anzahl / Name / Leistung           |  |
| Dimmable   |   | <input type="checkbox"/> Yes <input checked="" type="checkbox"/> No                            |
| Lamp Operating Frequency [KHz]                   | Lampenbetriebsfrequenz [kHz]                  | > 40   |
| Ignition Method (PH, RS or IS)                   | Startmechanismus                              | <input checked="" type="checkbox"/> PH <input type="checkbox"/> RS <input type="checkbox"/> IS |
| Preheat Time [S]                                 | Vorheizzeit [S]                               | 0.4 < PT < 1.5   |
| Automatic restart after lamp change              | Autom. Wiederstart nach Lampenwechsel         | <input checked="" type="checkbox"/> Yes <input type="checkbox"/> No                            |
| Thermal Protection (EN 61347-2-3)                | Wärmeschutz (EN 61347-2-3)                    | <input checked="" type="checkbox"/> Yes <input type="checkbox"/> No                            |
| End Of Life (EOL) Protection                     | Sicherheitsabschaltung bei Lampendefekt       | <input checked="" type="checkbox"/> Yes <input type="checkbox"/> No                            |
| Suitable for luminaires with protection class    | Schutzklasse der Leuchten                     | <input checked="" type="checkbox"/> I <input checked="" type="checkbox"/> II                   |
| Master Carton Quantity                           | Menge im Masterkarton                         | 60   |
| Label  | Etikettengestaltung                           | <input checked="" type="checkbox"/> Fulham <input type="checkbox"/> Private                    |
| Weight [gr]                                      | Gewicht [gr]                                  | 120  |
| Weight of the Carton [gr]                        | Gewicht des Versandkartons [gr]               | 8,200  |
| Case Dimensions-Length with Mount [mm]           | Gehäusemass - Gesamt [mm]                     | L 103  |
| Case Dimensions-Length w/o Mount [mm]            | Gehäusemass - Befestigungsabstand [mm]        | L 103  |
| Case Dimensions-Length betw. mounting holes [mm] | Gehäusemass - Abstand Befestigungslöcher [mm] | L 110 (diagonal)   |
| Case Dimensions-Width [mm]                       | Gehäusemass - Breite [mm]                     | W 67   |
| Case Dimensions-Height [mm]                      | Gehäusemass - Höhe [mm]                       | H 31   |
| Case Material                                    | Gehäusematerial                               | Thermoplast (inflammable)  |
| Primary strip length [mm]                        | Abisolierlänge Primärseitig [mm]              | Min. 8,5 ... Max. 9,5  |
| Secondary strip length [mm]                      | Abisolierlänge Sekundärseitig [mm]            | Min. 8,5 ... Max. 9,5  |
| Permissible cable lengths --- Hot wires [m]      | Gestattete Leitungslänge - Hot [m]            | 1  |
| Permissible cable lengths --- Cold wires [m]     | Gestattete Leitungslänge - Cold [m]           | 2  |
| EEL Classification                               | EEL Klassifizierung                           | EEL = A3   |
| CE (with compliance RoHS)                        | CE (mit RoHS Tauglichkeit)                    | EN 61347-2-3   |
| EMC Immunity                                     | Immunität                                     | EN 61547   |
| Harmonic Content                                 | Oberwellengehalt                              | IEC / EN 61000-3-2   |
| Radio Interference Suppression                   | Funkentstörung                                | DIN VDE 0875 / EN 55015  |
| Performance ENEC                                 | ENEC Prüfzeichen                              | IEC 60929  |
| Approval Mark                                    | Prüfzeichen                                   | ENEC, VDE, EMV (VDE-Germany)   |
| Max. Case Hot Spot Temperature [°C]              | Zulässige Gehäusetemperatur tc [°C]           | + 70   |
| Max. Case Temperature in case of Failure [°C]    | Max. Gehäusetemperatur im Fehlerfall [°C]     | + 110  |
| Min. Ambient Temperature [°C]                    | Min. Umgebungstemperatur ta [°C]              | - 25   |
| Max. Ambient Temperature [°C]                    | Max. Umgebungstemperatur ta [°C]              | + 60   |
| Min. Storage Temperature [°C]                    | Min. Lagerungstemperatur [°C]                 | - 40   |
| Max. Storage Temperature [°C]                    | Max. Lagerungstemperatur [°C]                 | + 85   |



Fulham Company extends limited warranty only to the original purchaser or to the first user for the period of **5 years** from the date of manufacture as indicated by the date code stamped on each product and when properly installed and under normal conditions of use.

DUE TO A PROGRAM OF CONTINUOUS IMPROVEMENT FULHAM Co., INC RESERVES THE RIGHT TO MAKE ANY VARIATION IN DESIGN OR CONSTRUCTION TO THE EQUIPMENT DESCRIBED.

Fulham Co., Inc. Address: 12705 South Van Ness Ave., Hawthorne, CA 90250 Tel.: 1-323-599-5000 Fax.: 1-323-754-9060 Website: www.fulham.com

2008-1004

Fulham Company GmbH Adresse: Karolinenstrasse 18, D-58507 Lüdenscheid, Germany Fon: +49 2351 4327416 Fax: +49 2351 6567349 Handelsregister Iserlohn: HR B 6286