

SPECIFICATION SHEET : RHA-UNV-224-LT5

This Is An Original Product From Fulham Co., Inc

Description : RACEHORSE Series, Universal Operating Voltage, Program Preheat Start Ballast, End Of Life Protection, Auto Restart,

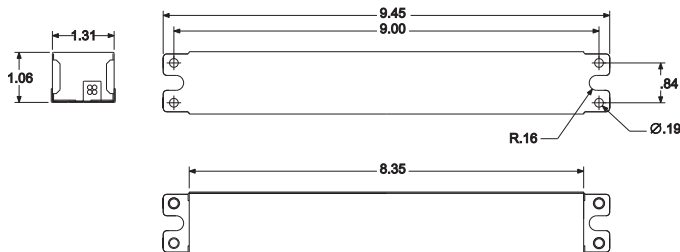
This Ballast Will Operate Following Lamps.



ELECTRICAL DATA (With 120 Volt Application)

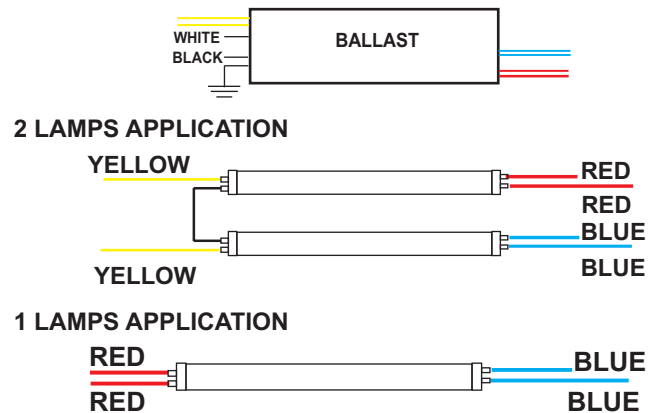
INPUT VOLT: 120V ± 10%, 50/60Hz										
LAMP WATTS/TYPE	F24T5HO	F39T5HO	FT24W	T5CR22W	T5CR40W	FT40W	FT36W	F24T5HO	FT24W	T5CR22W
LAMPS OPERATED	1							2		
INPUT WATTS	27	34	27	27	39	45	31	52	51	54
LINE CURRENT:	0.23	0.28	0.22	0.23	0.32	0.38	0.26	0.44	0.42	0.45
POWER FACTOR	0.98 Type									
BALLAST FACTOR	0.97	0.91	0.92	1.11	0.85	1.01	0.77	0.94	0.92	1.1
EFFICACY FACTOR	3.59	2.67	3.41	4.11	2.18	2.24	2.48	1.81	1.84	2.04
THD	10.0%	10.0%	10.0%	10.0%	10.0%	10.0%	10.0%	10.0%	10.0%	10.0%
CURRENT CREST FACTOR	< 1.7									
EMI/RFI COMPLIANCE	FCC PART 18-A									
SOUND RATING	" A "									
BALLAST TYPE	PROGRAMMED START									
VOLTAGE TRANSIENTS	ANSI 62.41									
OUTPUT/PROTECTION	EOL									
COMPLIANCE	RoHS									
APPROVED	TYPE "HL"									
MIN. OPERATING TEMP	-18 °C (0 ° F)									
MAX. CASE TEMP	90 °C (194 ° F) SEE FOOT NOTE WARRANTY									
APPROVALS/CLASS	UL /cUL LISTED, CLASS " P ", 1 OUTDOOR									
REMOTE MOUNTING	18 FT MAX.									

MECHANICAL DATA



WIRING DIAGRAMS

WIRE	BLACK	WHITE	RED	BLUE	YELLOW	BROWN
LENGTH - INCHES	24 ± 1"	24 ± 1"	28 ± 1"	28 ± 1"	44 ± 1"	



NOTE : This Ballast Must Be Grounded

Fulham extends a limited warranty only to the original purchaser or to the first user for a period of **3 years @90°C & 5 years @ 70°C** from the date of manufacture when properly installed and operated under normal conditions of use. For complete terms and conditions, please reference the Fulham product catalog (www.fulham.com)

Due to a program of continuous improvement, Fulham reserves the right to make modifications or variations in design or construction to the equipment described.

SPECIFICATION SHEET : RHA-UNV-224-LT5

This Is An Original Product From Fulham Co., Inc

Description : RACEHORSE Series, Universal Operating Voltage, Program Preheat Start Ballast, End Of Life Protection, Auto Restart,

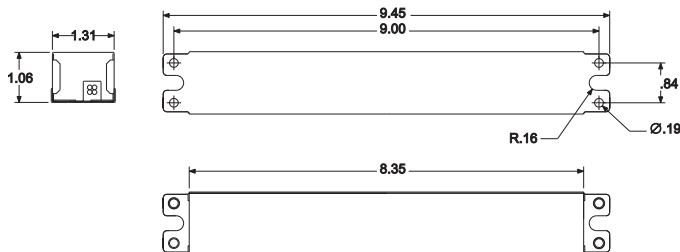
This Ballast Will Operate Following Lamps.



ELECTRICAL DATA (With 277 Volt Application)

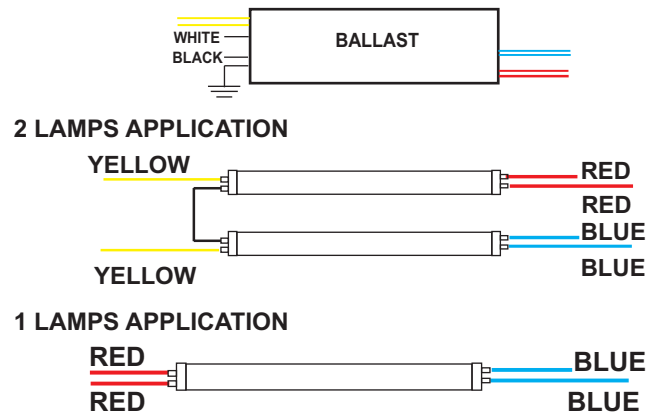
INPUT VOLT: 277V ± 10%, 50/60Hz										
LAMP WATTS/TYPE	F24T5HO	F39T5HO	FT24W	T5CR22W	T5CR40W	FT40W	FT36W	F24T5HO	FT24W	T5CR22W
LAMPS OPERATED	1							2		
INPUT WATTS	27	34	27	27	39	45	31	52	50	54
LINE CURRENT:	0.11	0.13	0.11	0.10	0.15	0.16	0.12	0.19	0.19	0.20
POWER FACTOR	0.98 Type									
BALLAST FACTOR	0.97	0.91	0.94	1.13	0.87	1.02	0.77	0.95	0.92	1.11
EFFICACY FACTOR	3.59	2.67	3.48	4.19	2.23	2.27	2.52	1.82	1.84	2.06
THD	10.0%	10.0%	10.0%	10.0%	10.0%	10.0%	10.0%	10.0%	10.0%	10.0%
CURRENT CREST FACTOR	< 1.7									
EMI/RFI COMPLIANCE	FCC PART 18-A									
SOUND RATING	" A "									
BALLAST TYPE	PROGRAMMED START									
VOLTAGE TRANSIENTS	ANSI 62.41									
OUTPUT/PROTECTION	EOL									
COMPLIANCE	RoHS									
APPROVED	TYPE "HL"									
MIN. OPERATING TEMP	-18 °C (0 ° F)									
MAX. CASE TEMP	90 °C (194 ° F) SEE FOOT NOTE WARRANTY									
APPROVALS/CLASS	UL /cUL LISTED, CLASS " P ", 1 OUTDOOR									
REMOTE MOUNTING	18 FT MAX.									

MECHANICAL DATA



WIRING DIAGRAMS

WIRE	BLACK	WHITE	RED	BLUE	YELLOW	BROWN
LENGTH - INCHES	24 ± 1"	24 ± 1"	28 ± 1"	28 ± 1"	44 ± 1"	



NOTE : This Ballast Must Be Grounded

Fulham extends a limited warranty only to the original purchaser or to the first user for a period of **3 years @90°C & 5 years @ 70°C** from the date of manufacture when properly installed and operated under normal conditions of use. For complete terms and conditions, please reference the Fulham product catalog (www.fulham.com)

Due to a program of continuous improvement, Fulham reserves the right to make modifications or variations in design or construction to the equipment described.