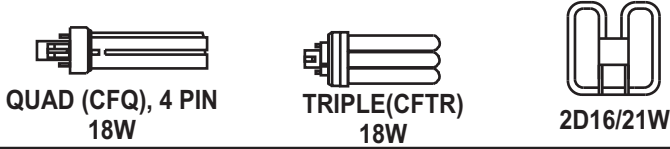


SPECIFICATION SHEET : RHA-UNV-218-C

This Is An Original Product From Fulham Co., Inc

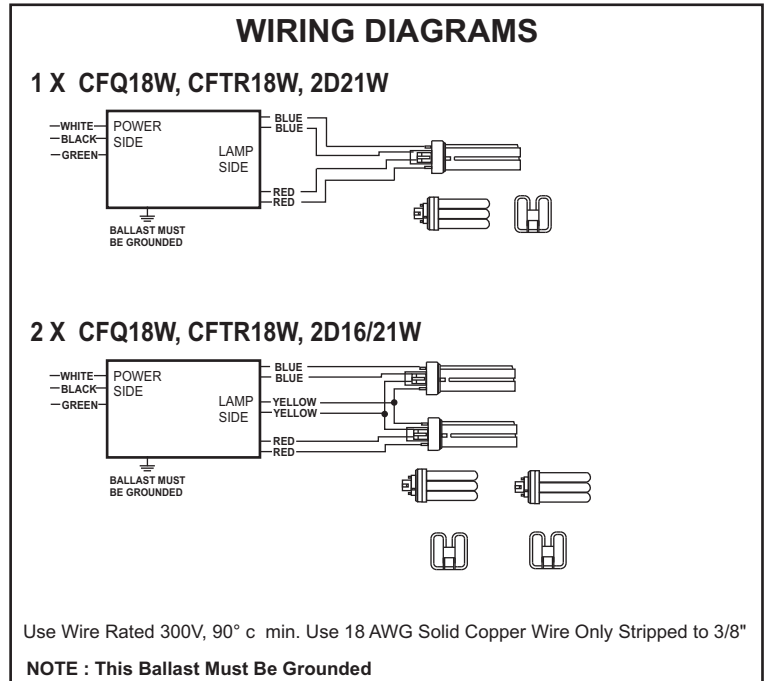
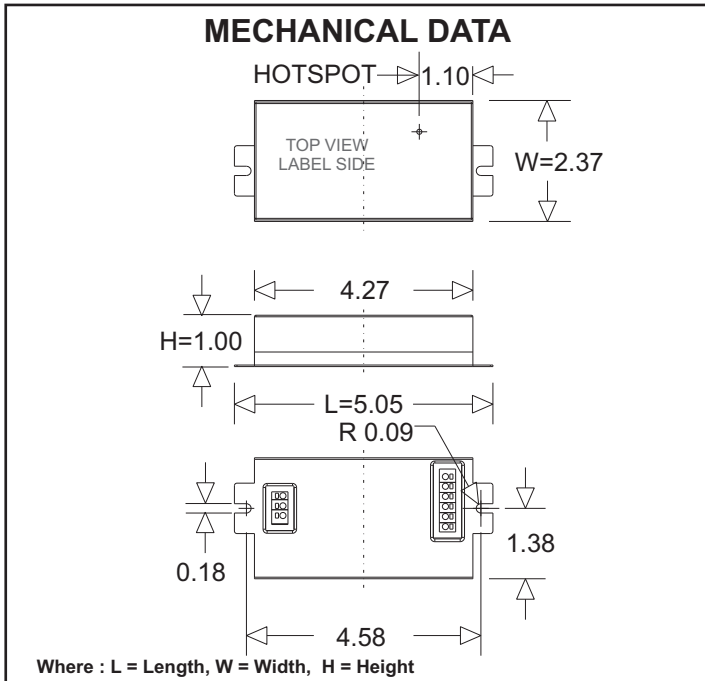
Description : RACEHORSE Series, Universal Operating Voltage, Programmed Start Ballast, End Of Life Protection, Auto Restart, Cold Starting Feature.

This Ballast Will Operate Following Lamps.



ELECTRICAL DATA (With 120 Volt Application)

INPUT VOLT: 120V ± 10%, 50/60Hz								
LAMP WATTS/TYPE	CFQ18	CFTR18	2D21	CFQ18	CFTR18	2D21	2D16	
LAMPS OPERATED	1			2				
INPUT WATTS	21	19	21	40	33	38	38	
LINE CURRENT:	0.17	0.16	0.23	0.33	0.30	0.32	0.32	
POWER FACTOR	0.99	0.99	0.99	0.99	0.99	0.99	0.99	
BALLAST FACTOR	1.12	1.12	1.06	1.04	1.05	0.98	1.18	
EFFICACY FACTOR	5.43	5.99	5.06	2.60	3.21	2.56	3.07	
THD	< 10%							
CURRENT CREST FACTOR	< 1.7							
EMI/RFI COMPLIANCE	FCC PART 18-A (NON-CONSUMER)							
SOUND RATING	" A "							
BALLAST TYPE	PROGRAMMED START							
VOLTAGE TRANSIENTS	MOV (ANSI C82.11)							
INPUT/PROTECTION	FUSE							
OUTPUT/PROTECTION	OPEN LAMP, SHORTED LAMP, END-OF-LIFE							
MIN. OPERATING TEMP	-30°C (-22°F)							
MAX. CASE TEMP	90°C (194°F) SEE FOOT NOTE WARRANTY							
APPROVALS/CLASS	UL /cUL LISTED, CLASS " P ", 1 OUTDOOR							
REMOTE MOUNTING	18 FT MAX.							



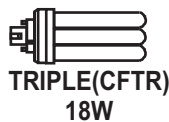
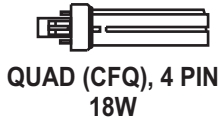
Fulham extends a limited warranty only to the original purchaser or to the first user for a period of 5 years @ 75°C or 3 years @ 90°C from the date of manufacture when properly installed and operated under normal conditions of use. For complete terms and conditions, please reference the Fulham product catalog (www.fulham.com) Due to a program of continuous improvement, Fulham reserves the right to make modifications or variations in design or construction to the equipment described.

SPECIFICATION SHEET : RHA-UNV-218-C

This Is An Original Product From Fulham Co., Inc

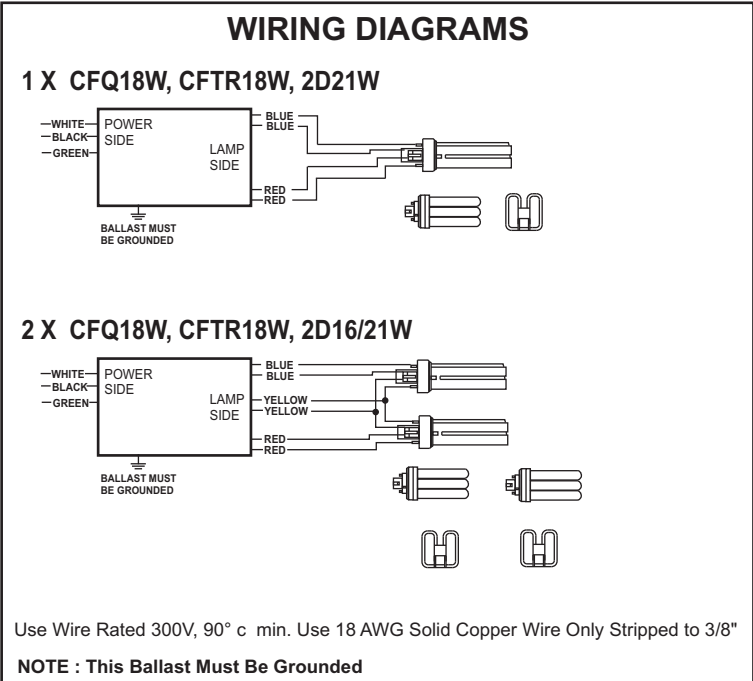
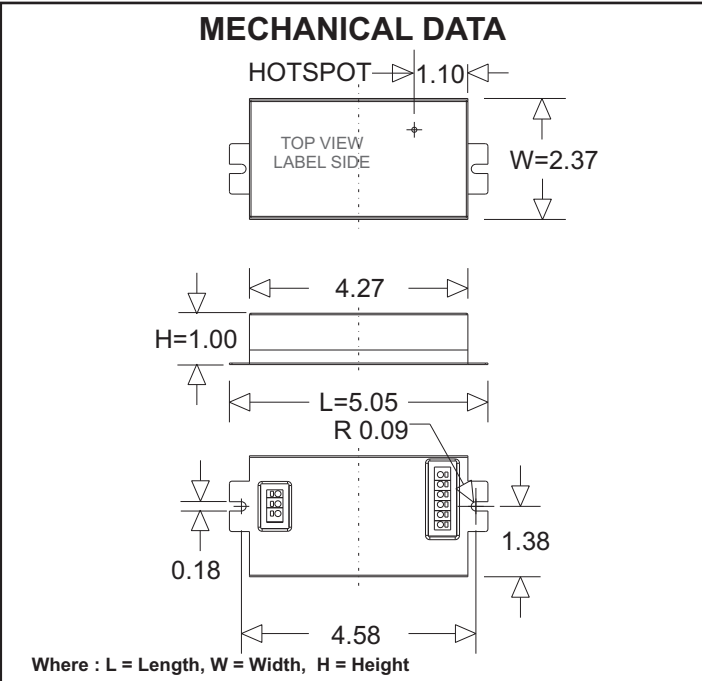
Description : RACEHORSE Series, Universal Operating Voltage, Programmed Start Ballast, End Of Life Protection, Auto Restart, Cold Starting Feature.

This Ballast Will Operate Following Lamps.



ELECTRICAL DATA (With 277 Volt Application)

INPUT VOLT: 277V ± 10%, 50/60Hz								
LAMP WATTS/TYPE	CFQ18	CFTR18	2D21	CFQ18	CFTR18	2D21	2D16	
LAMPS OPERATED	1			2				
INPUT WATTS	20	18	21	40	35	38	37	
LINE CURRENT:	0.08	0.07	0.08	0.15	0.13	0.14	0.11	
POWER FACTOR	0.95	0.94	0.95	0.98	0.98	0.98	0.98	
BALLAST FACTOR	1.12	1.12	1.06	1.04	1.05	0.97	1.19	
EFFICACY FACTOR	5.48	6.04	4.96	2.62	3.00	2.57	3.22	
THD	< 10%							
CURRENT CREST FACTOR	< 1.7							
EMI/RFI COMPLIANCE	FCC PART 18-A (NON-CONSUMER)							
SOUND RATING	" A "							
BALLAST TYPE	PROGRAMMED START							
VOLTAGE TRANSIENTS	MOV (ANSI C82.11)							
INPUT/PROTECTION	FUSE							
OUTPUT/PROTECTION	OPEN LAMP, SHORTED LAMP, END-OF-LIFE							
MIN. OPERATING TEMP	-30°C (-22°F)							
MAX. CASE TEMP	90°C (194°F) SEE FOOT NOTE WARRANTY							
APPROVALS/CLASS	UL /cUL LISTED, CLASS " P ", 1 OUTDOOR							
REMOTE MOUNTING	18 FT MAX.							



Fulham extends a limited warranty only to the original purchaser or to the first user for a period of 5 years @ 75°C or 3 years @ 90°C from the date of manufacture when properly installed and operated under normal conditions of use. For complete terms and conditions, please reference the Fulham product catalog (www.fulham.com) **Due to a program of continuous improvement, Fulham reserves the right to make modifications or variations in design or construction to the equipment described.**