

### INSTALLATION SHEET : RHA-347-226-K

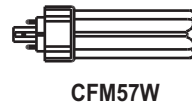
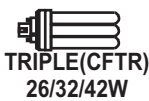
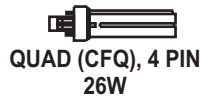
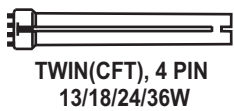
This Is An Original Product From Fulham Co., Inc

**Description:** This Kit contains a 347V CFL Electronic Ballast, which features Program Start, End-Of-Life Protection (EOL), Flicker-Free Operation, and Auto-Restart. Includes Ballast, Snap-on-plate, Required Wires, Wire Removing Tool, Nuts and Screws. Numerous Applications, such as retrofit down light.

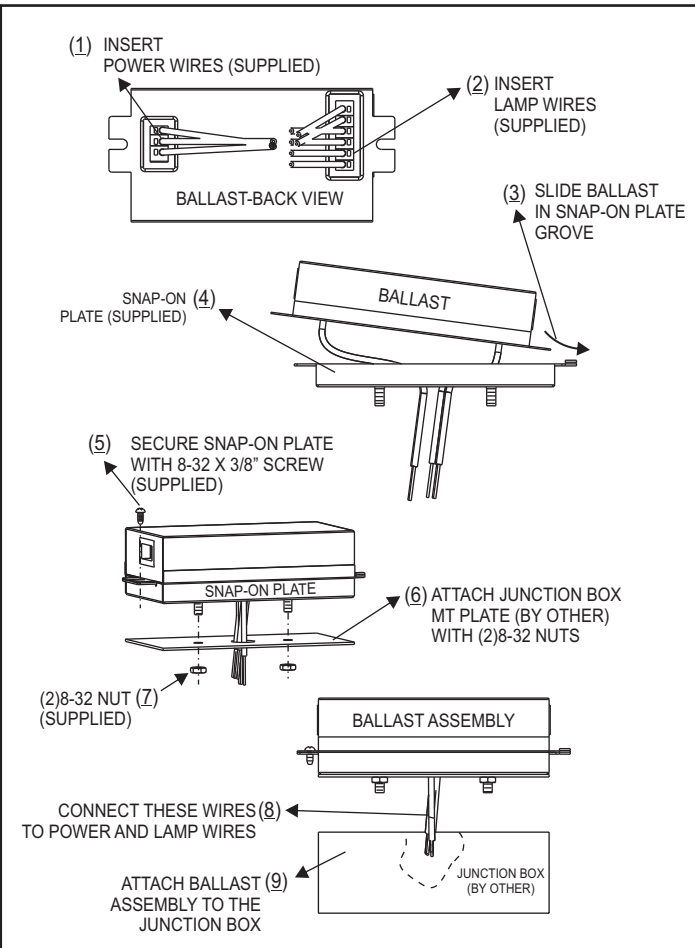
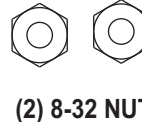
#### Safety, Warning and Suggestions

(1) Qualified electrician is required to install this product/s. (2) To prevent electrical shock and injury, be sure to disconnect power prior to mounting of this fixture/s. (3) All wiring and installations should meet local, state and national electrical codes. (4) Install correct lamp type and wattage.

#### This Ballast Will Operate Following Lamps.



#### List Of Item Enclosed



#### Las Instrucciones En Español.

- 1) insertar los alambres de la energía (proveída).
- 2) insertar los alambres de la lámpara (proveída).
- 3) resbalar el lastre en arboleda.
- 4) placa snap-on (proveída)
- 5) asegurar la placa snap-on con 8-32 x 3/8 " tornillo (proveída).
- 6) unir la placa MT con la caja de ensambladura con (2) 8-32 tuercas
- 7) (2) tuerca 8-32 (proveída).
- 8) Conecte Estos Alambres Con La Energía y Los Alambres De La Lámpara.
- 9) unir el montaje del lastre a la caja de ensambladura.

#### L'instruction d'installation en français

- 1) INSÉREZ LES FILS CONDUCTEUR (FOURNIS)
- 2) INSÉREZ LES FILS DE LAMPES (FOURNIS)
- 3) GLISSEZ LE BALLAST DANS LA FENTE DE LA PLAQUE "SNAP-ON"
- 4) PLAQUE "SNAP-ON" (FOURNIS)
- 5) VISSEZ LA PLAQUE "SNAP-ON" AVEC DES VIS 8.32X3/8" (FOURNIS)
- 6) INSTALLEZ LA BOITE DE JONCTION A LA PLAQUE DE MONAGE AVEC DES ÉCROUS (2) 8-32
- 7) (2) ÉCROUS 8-32 (FOURNIS)
- 8) RACCORDEZ CES FILS AUX FILS CONDUCTEUR ET AUX FILS DE LAMPES
- 9) UNISSEZ LE BALLAST À LA BOITE DE JONCTION

### SPECIFICATION SHEET : RHA-347-226-C

This Is An Original Product From Fulham Co., Inc

**Description : RACEHORSE Series, Operating Voltage 347V, Programmed Start Ballast, End Of Life Protection, Auto Restart, Cold Starting Feature.**

**This Ballast Will Operate Following Lamps.**



TWIN (CFT), 4 PIN  
13/18/24/36W



QUAD (CFQ), 4 PIN  
26W



TRIPLE (CFTR)  
26/32/42W



2D21/28/38W



CFM57W



CIRCLINE  
T5CR22/40W



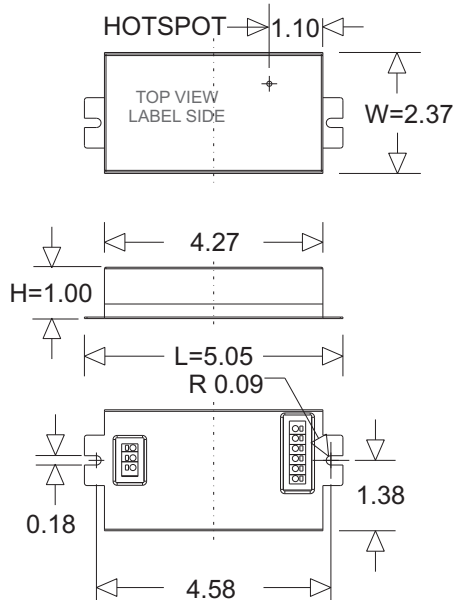
F24T5HO

### ELECTRICAL DATA ( With 347 Volt Application )

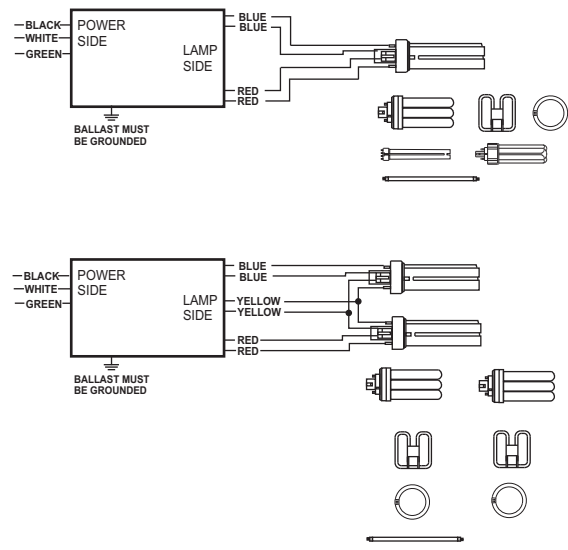
INPUT VOLT: 347V ± 10%, 50/60Hz

LAMP WATTS/TYPE	CFQ26W	CFTR26W	CFTR32W	CFTR42W	FT13W	FT18W	FT24W	FT36W	2D21W
LAMPS OPERATED	1								
INPUT WATTS	29	28	30	50	15	19	27	34	25
LINE CURRENT:	0.08	0.08	0.09	0.15	0.05	0.06	0.08	0.10	0.08
POWER FACTOR	0.98	0.98	0.98	0.99	0.94	0.96	0.98	0.98	0.97
BALLAST FACTOR	1.05	1.05	0.98	0.97	1.25	1.00	1.05	0.87	1.43
EFFICACY FACTOR	3.67	3.71	3.24	1.94	8.10	5.25	3.91	2.55	5.62
THD	< 10%								
CURRENT CREST FACTOR	< 1.7								
EMI/RFI COMPLIANCE	FCC PART 18-A (NON-CONSUMER)								
SOUND RATING	" A "								
BALLAST TYPE	PROGRAMMED START								
VOLTAGE TRANSIENTS	MOV (ANSI C82.11)								
INPUT/PROTECTION	FUSE								
OUTPUT/PROTECTION	OPEN LAMP, SHORTED LAMP, END-OF-LIFE								
MIN. OPERATING TEMP	-30°C (-22°F)								
MAX. CASE TEMP	90°C ( 194°F ) SEE FOOT NOTE WARRANTY								
APPROVALS/CLASS	UL /cUL LISTED, CLASS " P ", 1 OUTDOOR								
REMOTE MOUNTING	18 FT MAX.								

### MECHANICAL DATA



### WIRING DIAGRAMS



Use Wire Rated 300V, 90°C min. Use 18 AWG Solid Copper Wire Only Stripped to 3/8"

**NOTE : This Ballast Must Be Grounded**

## SPECIFICATION SHEET : RHA-347-226-C

This Is An Original Product From Fulham Co., Inc

**Description : RACEHORSE Series, Operating Voltage 347V, Programmed Start Ballast, End Of Life Protection, Auto Restart, Cold Starting Feature.**

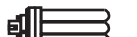
**This Ballast Will Operate Following Lamps.**



TWIN (CFT), 4 PIN  
13/18/24/36W



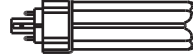
QUAD (CFQ), 4 PIN  
26W



TRIPLE (CFTR)  
26/32/42W



2D21/28/38W



CFM57W



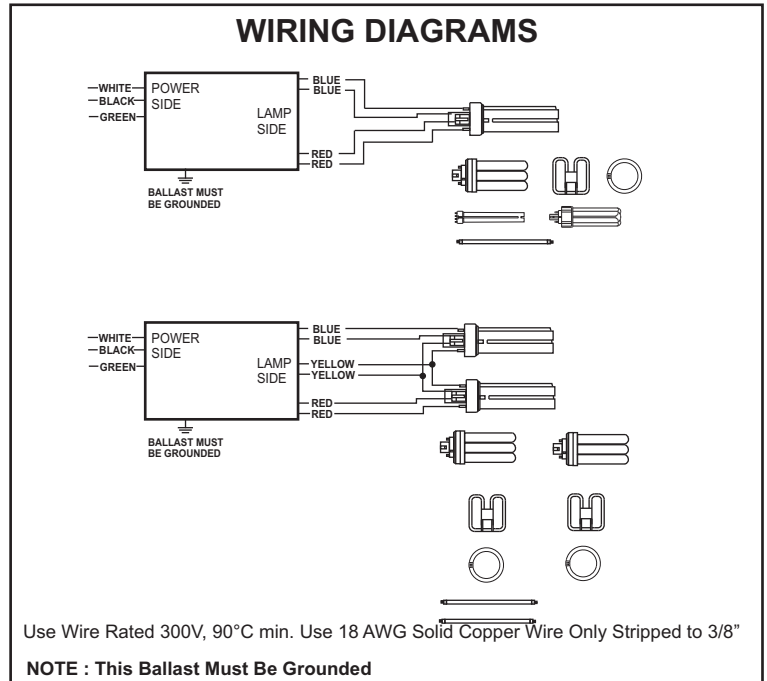
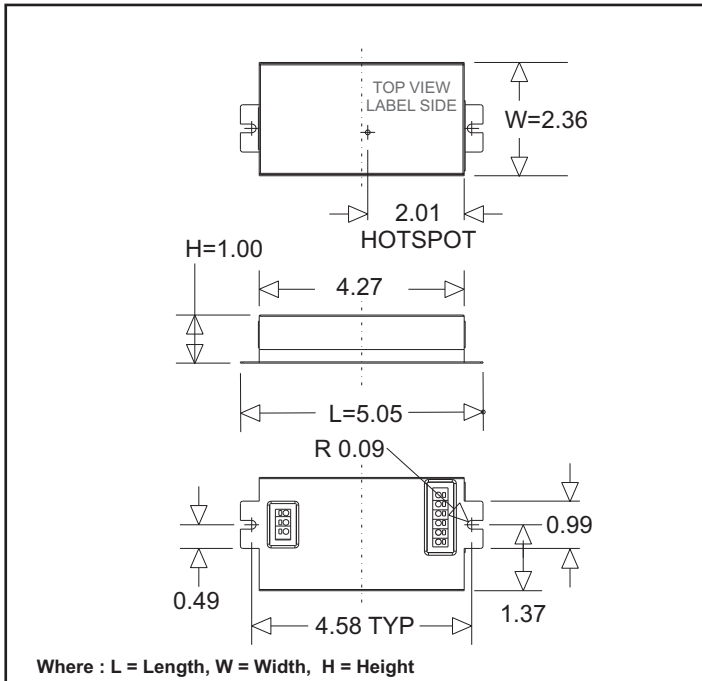
CIRCLINE  
T5CR22/40W



F24T5HO

### ELECTRICAL DATA ( With 347 Volt Application )

INPUT VOLT: 347V ± 10%, 50/60Hz										
LAMP WATTS/TYPE	2D28W	2D38W	T5CR22W	T5CR40W	CFM57W	CFQ26W	CFTR26W	FT18W	FT24W	
LAMPS OPERATED	1					2				
INPUT WATTS	33	34	28	39	51	57	57	34	50	
LINE CURRENT:	0.10	0.10	0.08	0.11	0.15	0.17	0.17	0.10	0.14	
POWER FACTOR	0.98	0.98	0.98	0.98	0.99	0.99	0.99	0.98	0.99	
BALLAST FACTOR	1.25	0.88	1.05	0.98	0.96	0.98	0.98	0.95	0.98	
EFFICACY FACTOR	3.80	2.60	3.77	2.50	1.89	1.72	1.74	2.77	1.98	
THD	< 10%									
CURRENT CREST FACTOR	< 1.7									
EMI/RFI COMPLIANCE	FCC PART 18-A (NON-CONSUMER)									
SOUND RATING	" A "									
BALLAST TYPE	PROGRAMMED START									
VOLTAGE TRANSIENTS	MOV (ANSI C82.11)									
INPUT/PROTECTION	FUSE									
OUTPUT/PROTECTION	OPEN LAMP, SHORTED LAMP, END-OF-LIFE									
MIN. OPERATING TEMP	-30°C (-22°F)									
MAX. CASE TEMP	90°C ( 194°F ) SEE FOOT NOTE WARRANTY									
APPROVALS/CLASS	UL /cUL LISTED, CLASS " P ", 1 OUTDOOR									
REMOTE MOUNTING	18 FT MAX.									



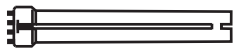
Fulham extends a limited warranty only to the original purchaser or to the first user for a period of 5 years @ 75°C or 3 years @ 90°C from the date of manufacture when properly installed and operated under normal conditions of use. For complete terms and conditions, please reference the Fulham product catalog ([www.fulham.com](http://www.fulham.com)) Due to a program of continuous improvement, Fulham reserves the right to make modifications or variations in design or construction to the equipment described. © Fulham Company Limited, All Rights Reserved.

### SPECIFICATION SHEET : RHA-347-226-C

This Is An Original Product From Fulham Co., Inc

**Description :** RACEHORSE Series, Operating Voltage 347V, Programmed Start Ballast, End Of Life Protection, Auto Restart, Cold Starting Feature.

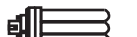
**This Ballast Will Operate Following Lamps.**



TWIN (CFT), 4 PIN  
13/18/24/36W



QUAD (CFQ), 4 PIN  
26W



TRIPLE (CFTR)  
26/32/42W



2D21/28/38W



CFM57W



CIRCLINE  
T5CR22/40W

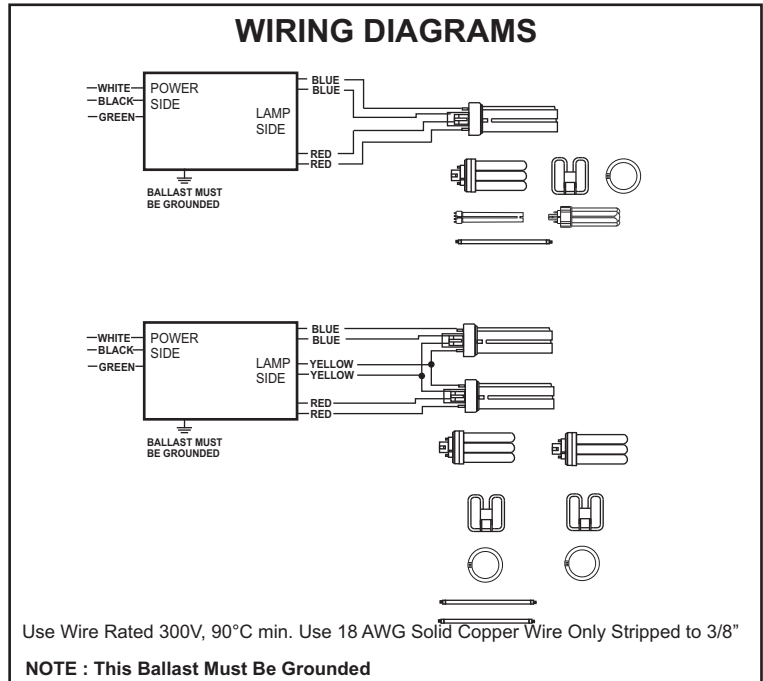
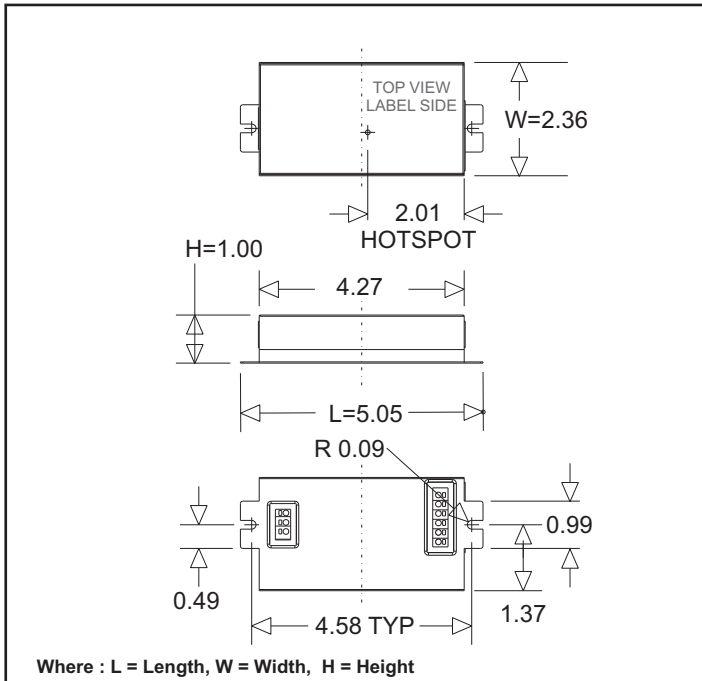


F24T5HO

### ELECTRICAL DATA ( With 347 Volt Application )

INPUT VOLT: 347V ± 10%, 50/60Hz

LAMP WATTS/TYPE	FT13W	2D21W	F24T5HO					
LAMPS OPERATED	2							
INPUT WATTS	31	54	53					
LINE CURRENT:	0.09	0.16	0.15					
POWER FACTOR	0.98	0.99	0.99					
BALLAST FACTOR	1.20	1.32	0.97					
EFFICACY FACTOR	3.93	2.46	1.84					
THD	< 10%							
CURRENT CREST FACTOR	< 1.7							
EMI/RFI COMPLIANCE	FCC PART 18-A (NON-CONSUMER)							
SOUND RATING	" A "							
BALLAST TYPE	PROGRAMMED START							
VOLTAGE TRANSIENTS	MOV (ANSI C82.11)							
INPUT/PROTECTION	FUSE							
OUTPUT/PROTECTION	OPEN LAMP, SHORTED LAMP, END-OF-LIFE							
MIN. OPERATING TEMP	-30°C (-22°F)							
MAX. CASE TEMP	90°C ( 194°F ) SEE FOOT NOTE WARRANTY							
APPROVALS/CLASS	UL /cUL LISTED, CLASS " P ", 1 OUTDOOR							
REMOTE MOUNTING	18 FT MAX.							



Fulham extends a limited warranty only to the original purchaser or to the first user for a period of 5 years @ 75°C or 3 years @ 90°C from the date of manufacture when properly installed and operated under normal conditions of use. For complete terms and conditions, please reference the Fulham product catalog ([www.fulham.com](http://www.fulham.com)) Due to a program of continuous improvement, Fulham reserves the right to make modifications or variations in design or construction to the equipment described. © Fulham Company Limited, All Rights Reserved.