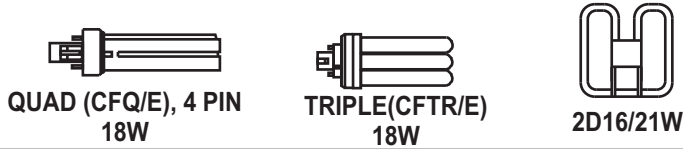


SPECIFICATION SHEET : RH2-UNV-218-C

This Is An Original Product From Fulham Co., Inc

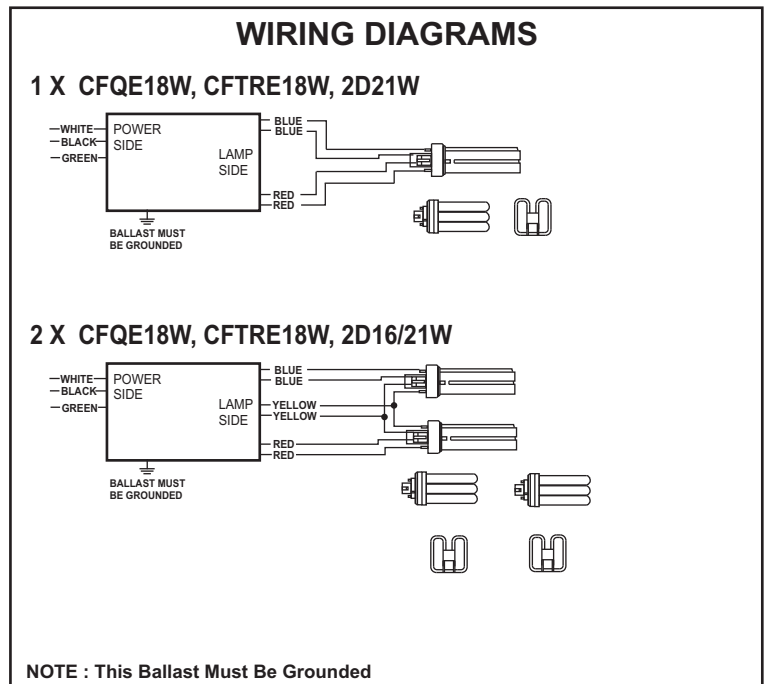
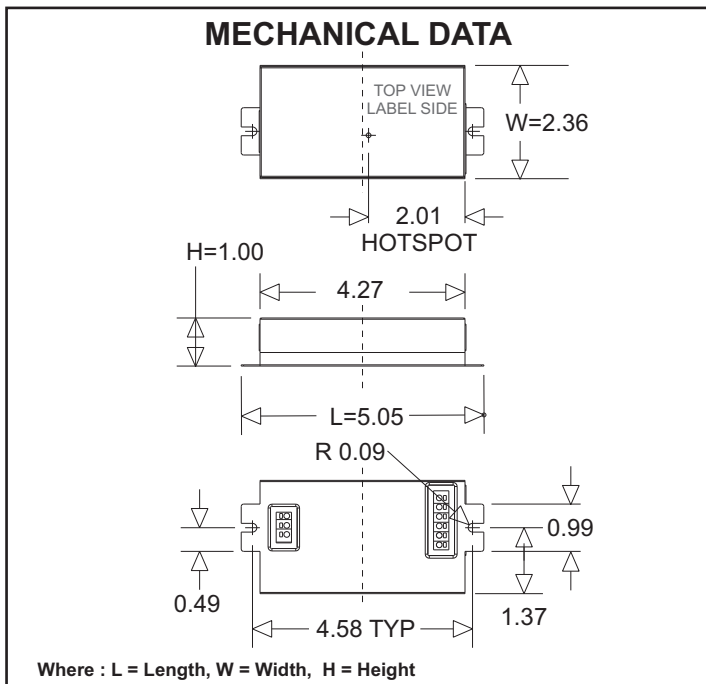
Description : RACEHORSE Series, Universal Operating Voltage, Programmed Start Ballast, End Of Life Protection, Auto Restart, Cold Starting Feature.

This Ballast Will Operate Following Lamps.



ELECTRICAL DATA (With 120 Volt Application)

INPUT VOLT: 120V ± 10%, 50/60Hz								
LAMP WATTS/TYPE	18CFQ/E	18CFTR/E	2D21W	18CFQ/E	18CFTR/E	2D16W	2D21W	
LAMPS OPERATED	1			2				
INPUT WATTS	23.34	21.01	20.43	43.54	39.03	37.82	37.61	
LINE CURRENT:	0.194	0.176	0.171	0.363	0.326	0.316	0.314	
POWER FACTOR	0.998	0.997	0.997	0.999	0.998	0.999	0.998	
BALLAST FACTOR	1.120	1.031	0.840	1.080	0.982	1.020	0.802	
EFFICACY FACTOR	4.800	4.910	4.112	2.480	2.516	2.690	2.133	
THD	< 10 %							
CURRENT CREST FACTOR	< 1.7							
EMI/RFI COMPLIANCE	FCC PART 18-B (Consumer)							
SOUND RATING	" A "							
BALLAST TYPE	PROGRAMMED START							
VOLTAGE TRANSIENTS	MOV (ANSI C82.11)							
INPUT/PROTECTION	FUSE							
OUTPUT/PROTECTION	OPEN LAMP, SHORTED LAMP, END-OF-LIFE							
MIN. OPERATING TEMP	-30 °C (-22 ° F)							
MAX. CASE TEMP	90 °C (194 ° F) SEE FOOT NOTE WARRANTY							
TYPE "CC" APPROVED	APPROVED							
APPROVALS/CLASS	UL /cUL LISTED, CLASS " P ", 1 OUTDOOR							
REMOTE MOUNTING	18 FT MAX.							

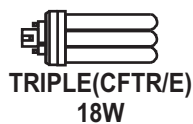
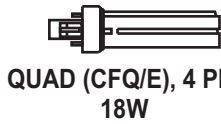


SPECIFICATION SHEET : **RH2-UNV-218-C**

This Is An Original Product From Fulham Co., Inc

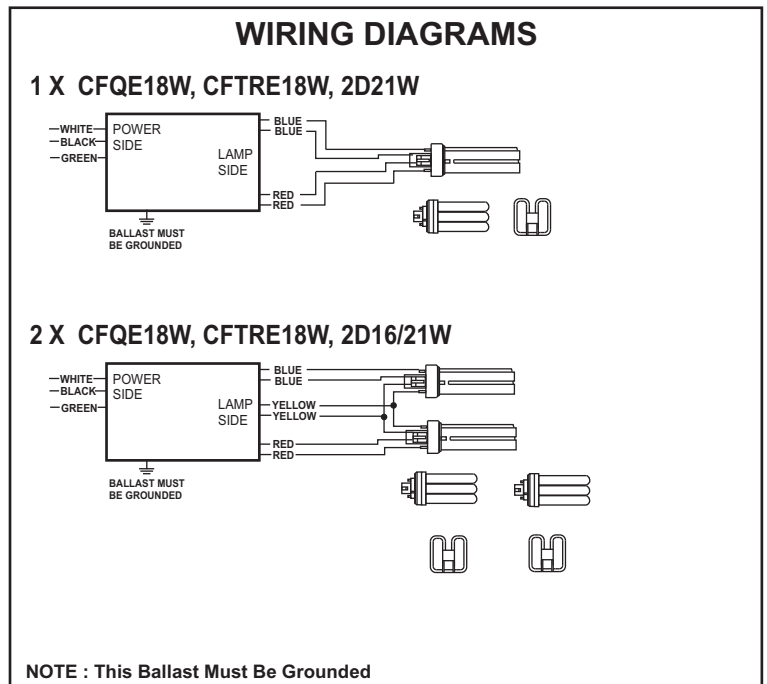
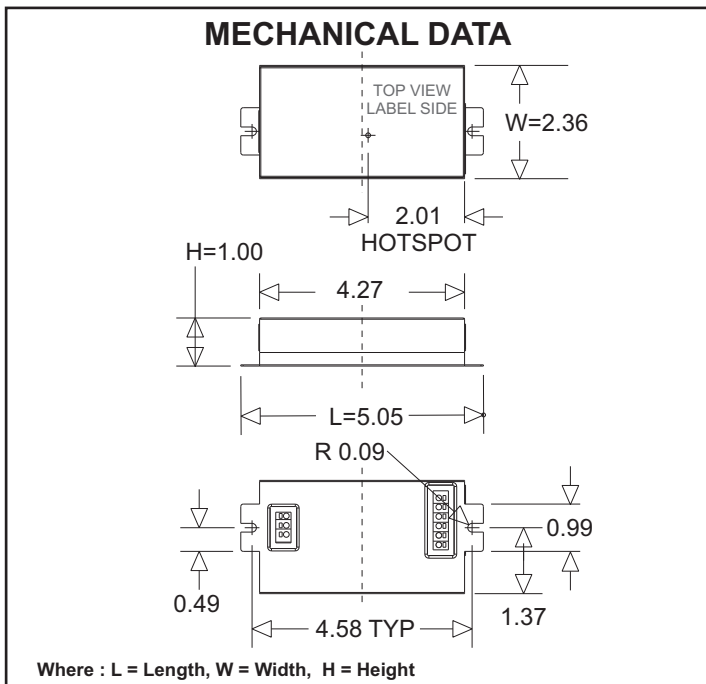
Description : RACEHORSE Series, Universal Operating Voltage, Programmed Start Ballast, End Of Life Protection, Auto Restart, Cold Starting Feature.

This Ballast Will Operate Following Lamps.



ELECTRICAL DATA (With 230 Volt Application)

INPUT VOLT: 230V ± 10%, 50/60Hz								
LAMP WATTS/TYPE	18CFQ/E	18CFTR/E	2D21W	18CFQ/E	18CFTR/E	2D16W	2D21W	-
LAMPS OPERATED	1			2				
INPUT WATTS	22.70W	21.53W	21.18W	42.82W	39.93W	38.92W	38.83W	
LINE CURRENT:	0.102A	0.097A	0.095A	0.188A	0.176A	0.171A	0.170A	
POWER FACTOR	0.967	0.964	0.966	0.989	0.988	0.990	0.990	
BALLAST FACTOR	1.126	1.089	0.910	1.101	1.102	1.121	0.879	
EFFICACY FACTOR	4.961	5.057	4.297	2.571	2.760	2.880	2.265	
THD	< 15 %			< 10 %				
CURRENT CREST FACTOR	< 1.7							
EMI/RFI COMPLIANCE	FCC PART 18-B (Consumer)							
SOUND RATING	" A "							
BALLAST TYPE	PROGRAMMED START							
VOLTAGE TRANSIENTS	MOV (ANSI C82.11)							
INPUT/PROTECTION	FUSE							
OUTPUT/PROTECTION	OPEN LAMP, SHORTED LAMP, END-OF-LIFE							
MIN. OPERATING TEMP	-30 °C (-22 ° F)							
MAX. CASE TEMP	90 °C (194 ° F) SEE FOOT NOTE WARRANTY							
TYPE "CC" APPROVED	APPROVED							
APPROVALS/CLASS	UL /cUL LISTED, CLASS " P ", 1 OUTDOOR							
REMOTE MOUNTING	18 FT MAX.							

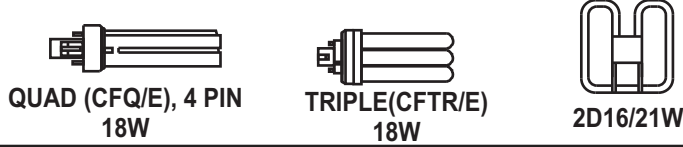


SPECIFICATION SHEET : RH2-UNV-218-C

This Is An Original Product From Fulham Co., Inc

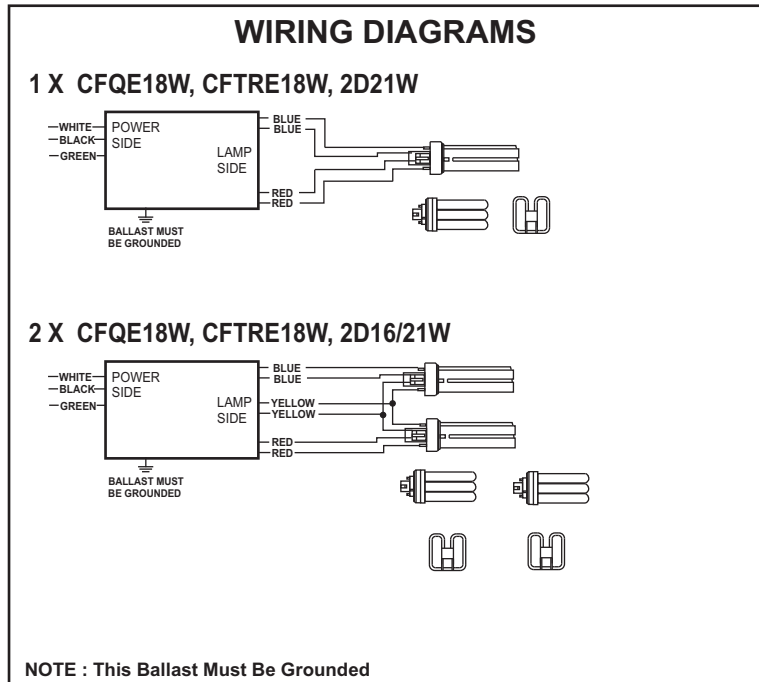
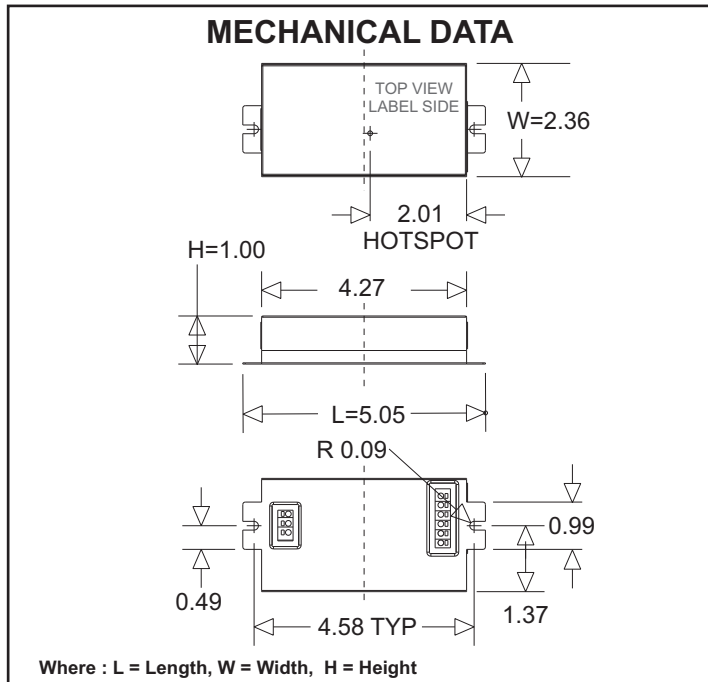
Description : RACEHORSE Series, Universal Operating Voltage, Programmed Start Ballast, End Of Life Protection, Auto Restart, Cold Starting Feature.

This Ballast Will Operate Following Lamps.



ELECTRICAL DATA (With 277 Volt Application)

INPUT VOLT: 277V ± 10%, 50/60Hz								
LAMP WATTS/TYPE	18CFQ/E	18CFTR/E	2D21W	18CFQ/E	18CFTR/E	2D16W	2D21W	
LAMPS OPERATED	1			2				
INPUT WATTS	23.42	21.37	20.59	42.41	38.62	38.35	36.92	
LINE CURRENT:	0.088	0.081	0.078	0.155	0.142	0.141	0.136	
POWER FACTOR	0.960	0.953	0.998	0.985	0.984	0.981	0.980	
BALLAST FACTOR	1.131	1.043	0.838	1.078	1.113	1.078	0.795	
EFFICACY FACTOR	4.827	4.880	4.070	2.541	2.877	2.810	2.155	
THD	< 15 %			< 10 %				
CURRENT CREST FACTOR	< 1.7							
EMI/RFI COMPLIANCE	FCC PART 18-B (Consumer)							
SOUND RATING	" A "							
BALLAST TYPE	PROGRAMMED START							
VOLTAGE TRANSIENTS	MOV (ANSI C82.11)							
INPUT/PROTECTION	FUSE							
OUTPUT/PROTECTION	OPEN LAMP, SHORTED LAMP, END-OF-LIFE							
MIN. OPERATING TEMP	-30 °C (-22 °F)							
MAX. CASE TEMP	90 °C (194 °F) SEE FOOT NOTE WARRANTY							
TYPE "CC" APPROVED	APPROVED							
APPROVALS/CLASS	UL /cUL LISTED, CLASS " P ", 1 OUTDOOR							
REMOTE MOUNTING	18 FT MAX.							



Fulham Co., Inc extends limited warranty only to the original purchaser or to the first user for the period of 3 years @ 90° C & 5 years @ 75° C from the date of manufacture as indicated by the date code stamped on each product and when properly installed and under normal conditions of use. For additional warranty guide line, please refer to our Complete Product Catalog OR call Customer Service at 1-323-599-5000.

DUE TO A PROGRAM OF CONTINUOUS IMPROVEMENT, FULHAM Co., INC RESERVES THE RIGHT TO MAKE ANY VARIATION IN DESIGN OR CONSTRUCTION TO THE EQUIPMENT DESCRIBED.

Address : 12705 South Van Ness Ave., Hawthorne, CA 90250 Tel.: 1-323-599-5000, Fax.: 1-323-754-9060. Website: www.fulham.com