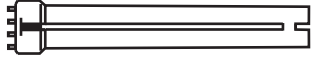


SPECIFICATION SHEET : RH1-UNV-213-C

This Is An Original Product From Fulham Co., Inc

Description : RACEHORSE Series, Universal Operating Voltage, Programmed Start Ballast, End Of Life Protection, Auto Restart, Cold Starting Feature.

This Ballast Will Operate Following Lamps.



TWIN(CFT/E), 4 PIN
7W, 9W



QUAD (CFQ/E), 4 PIN
13W



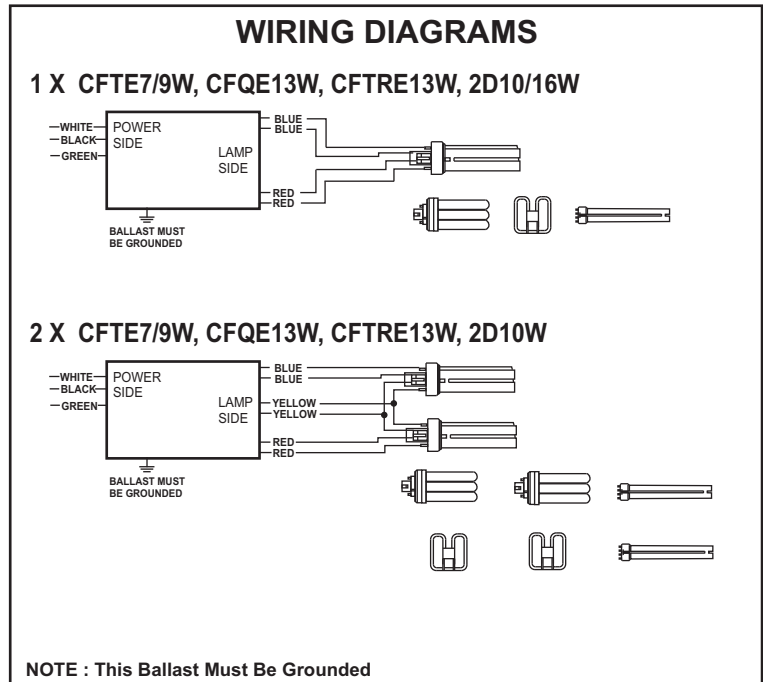
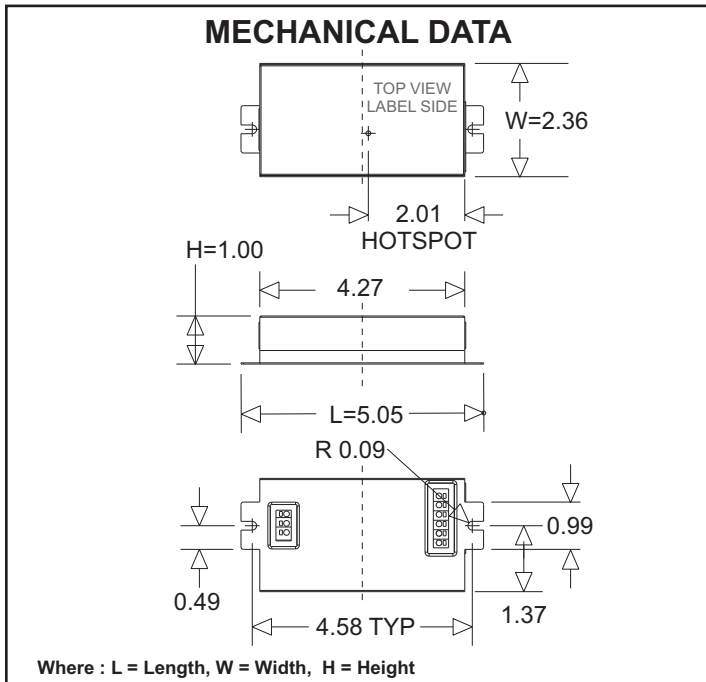
TRIPLE(CFTR/E)
13W



2D10/16W

ELECTRICAL DATA (With 120 Volt Application)

INPUT VOLT: 120V ± 10%, 50/60Hz												
LAMP WATTS/TYPE	7CFT/E	9CFT/E	13CFQ/E	13CFTR/E	2D10W	2D16W	7CFT/E	9CFT/E	13CFQ/E	13CFTR/E	2D10W	
LAMPS OPERATED	1						2					
INPUT WATTS	9.2	10.97	17.34	16.08	13.01	17.72	16.32	19.48	32.55	29.65	24.17	
LINE CURRENT:	0.077	0.092	0.145	0.135	0.109	0.148	0.136	0.162	0.272	0.248	0.202	
POWER FACTOR	0.986	0.990	0.996	0.995	0.993	0.996	0.995	0.997	0.998	0.998	0.997	
BALLAST FACTOR	0.877	0.918	1.044	0.972	0.922	0.900	0.912	0.916	1.033	0.920	0.942	
EFFICACY FACTOR	9.527	8.375	6.000	6.045	7.084	5.081	5.600	4.703	3.173	3.104	3.896	
THD	< 10 %											
CURRENT CREST FACTOR	< 1.7											
EMI/RFI COMPLIANCE	FCC PART 18-B (Consumer)											
SOUND RATING	"A"											
BALLAST TYPE	PROGRAMMED START											
VOLTAGE TRANSIENTS	MOV (ANSI C82.11)											
INPUT/PROTECTION	FUSE											
OUTPUT/PROTECTION	OPEN LAMP, SHORTED LAMP, END-OF-LIFE											
MIN. OPERATING TEMP	-30 °C (-22 °F)											
MAX. CASE TEMP	90 °C (194 °F) SEE FOOT NOTE WARRANTY											
TYPE "CC" APPROVED	APPROVED											
APPROVALS/CLASS	UL /cUL LISTED, CLASS " P ", 1 OUTDOOR											
REMOTE MOUNTING	18 FT MAX.											



Fulham Co., Inc extends limited warranty only to the original purchaser or to the first user for the period of **3 years @ 90° C & 5 years @ 75° C** from the date of manufacture as indicated by the date code stamped on each product and when properly installed and under normal conditions of use. For additional warranty guide line, please refer to our Complete Product Catalog OR call Customer Service at 1-323-599-5000.

DUE TO A PROGRAM OF CONTINUOUS IMPROVEMENT, FULHAM Co., INC RESERVES THE RIGHT TO MAKE ANY VARIATION IN DESIGN OR CONSTRUCTION TO THE EQUIPMENT DESCRIBED.

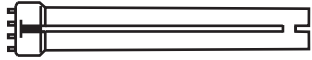
Address : 12705 South Van Ness Ave., Hawthorne, CA 90250 Tel.: 1-323-599-5000, Fax.: 1-323-754-9060. Website: www.fulham.com

SPECIFICATION SHEET : RH1-UNV-213-C

This Is An Original Product From Fulham Co., Inc

Description : RACEHORSE Series, Universal Operating Voltage, Programmed Start Ballast, End Of Life Protection, Auto Restart, Cold Starting Feature.

This Ballast Will Operate Following Lamps.



TWIN(CFT/E), 4 PIN
7W, 9W



QUAD (CFQ/E), 4 PIN
13W



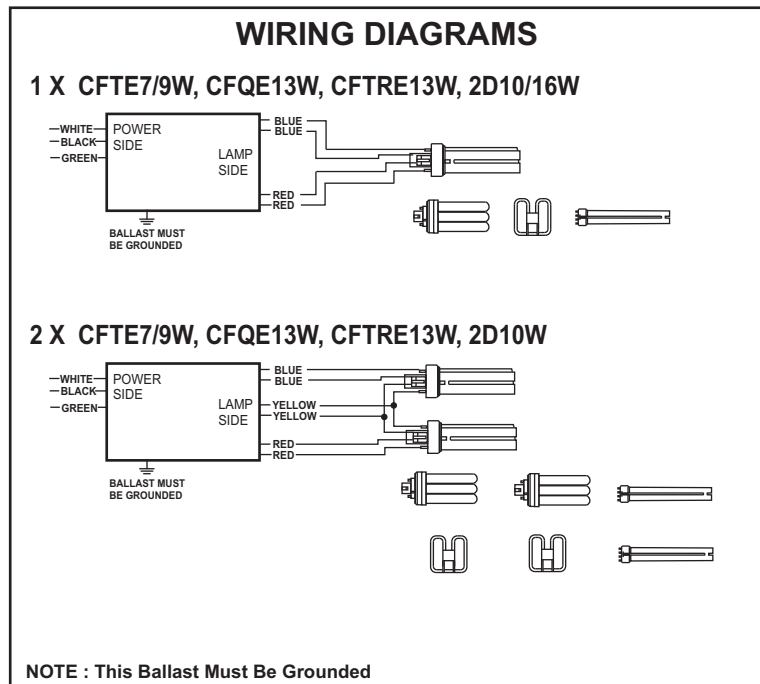
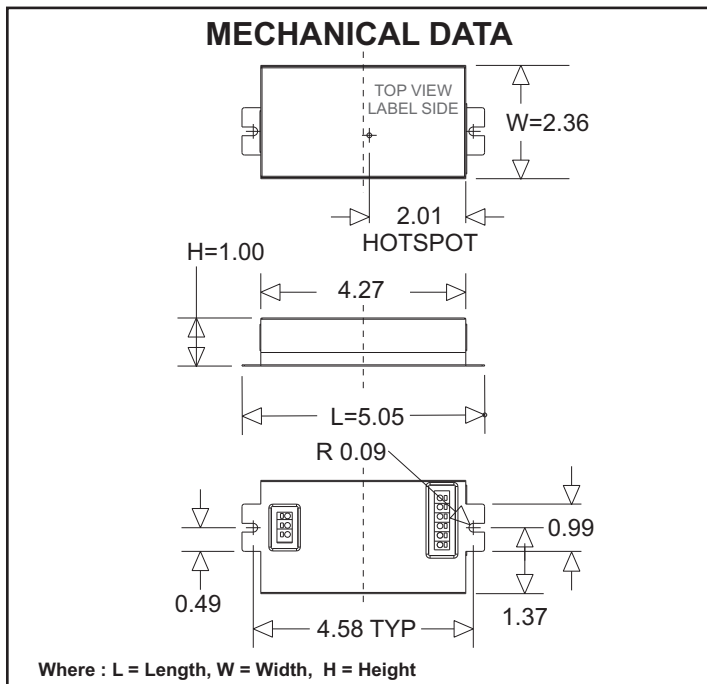
TRIPLE(CFTR/E)
13W



2D10/16W

ELECTRICAL DATA (With 230 Volt Application)

INPUT VOLT: 230V ± 10%, 50/60Hz												
LAMP WATTS/TYPE	7CFT/E	9CFT/E	13CFQ/E	13CFTR/E	2D10W	2D16W	7CFT/E	9CFT/E	13CFQ/E	13CFTR/E	2D10W	
LAMPS OPERATED	1						2					
INPUT WATTS	10.12W	12.32W	17.95W	16.33W	13.95W	18.29W	17.37W	21.42W	32.19W	29.45W	24.88W	
LINE CURRENT:	0.050A	0.058A	0.085A	0.075A	0.064A	0.082A	0.079A	0.076A	0.142A	0.130A	0.110A	
POWER FACTOR	0.886	0.926	0.950	0.952	0.948	0.967	0.951	0.970	0.985	0.985	0.980	
BALLAST FACTOR	0.996	1.080	1.114	0.996	1.020	0.953	0.987	1.067	1.038	0.973	0.993	
EFFICACY FACTOR	9.843	8.762	6.208	6.102	7.315	5.209	5.684	4.983	3.223	3.302	3.993	
THD	< 20 %						< 10 %		< 10 %		< 10 %	
CURRENT CREST FACTOR	< 1.7											
EMI/RFI COMPLIANCE	FCC PART 18-B (Consumer)											
SOUND RATING	"A"											
BALLAST TYPE	PROGRAMMED START											
VOLTAGE TRANSIENTS	MOV (ANSI C82.11)											
INPUT/PROTECTION	FUSE											
OUTPUT/PROTECTION	OPEN LAMP, SHORTED LAMP, END-OF-LIFE											
MIN. OPERATING TEMP	-30 °C (-22 °F)											
MAX. CASE TEMP	90 °C (194 °F) SEE FOOT NOTE WARRANTY											
TYPE "CC" APPROVED	APPROVED											
APPROVALS/CLASS	UL /cUL LISTED. CLASS " P ". 1 OUTDOOR											
REMOTE MOUNTING	18 FT MAX.											

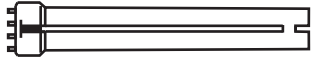


SPECIFICATION SHEET : RH1-UNV-213-C

This Is An Original Product From Fulham Co., Inc

Description : RACEHORSE Series, Universal Operating Voltage, Programmed Start Ballast, End Of Life Protection, Auto Restart, Cold Starting Feature.

This Ballast Will Operate Following Lamps.



**TWIN(CFT/E), 4 PIN
7W, 9W**



**QUAD (CFQ/E), 4 PIN
13W**



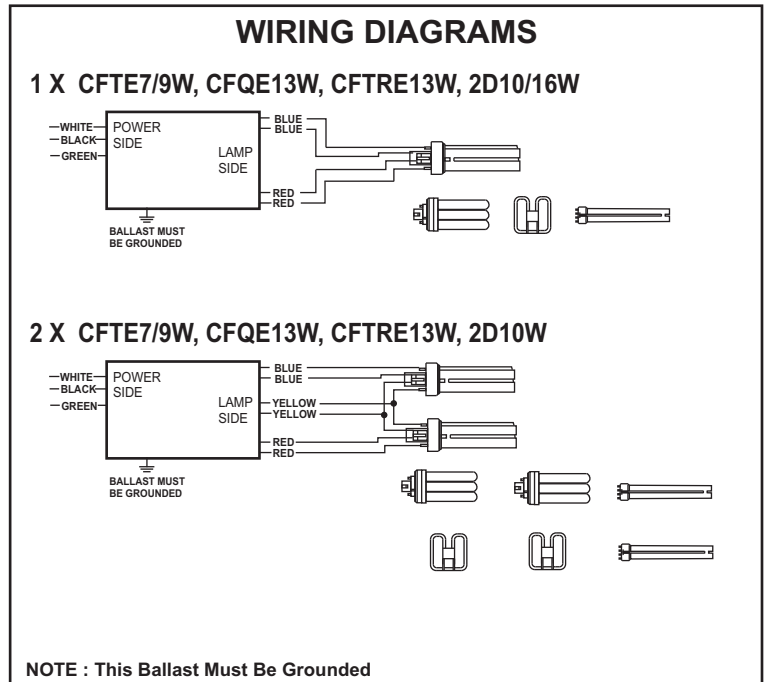
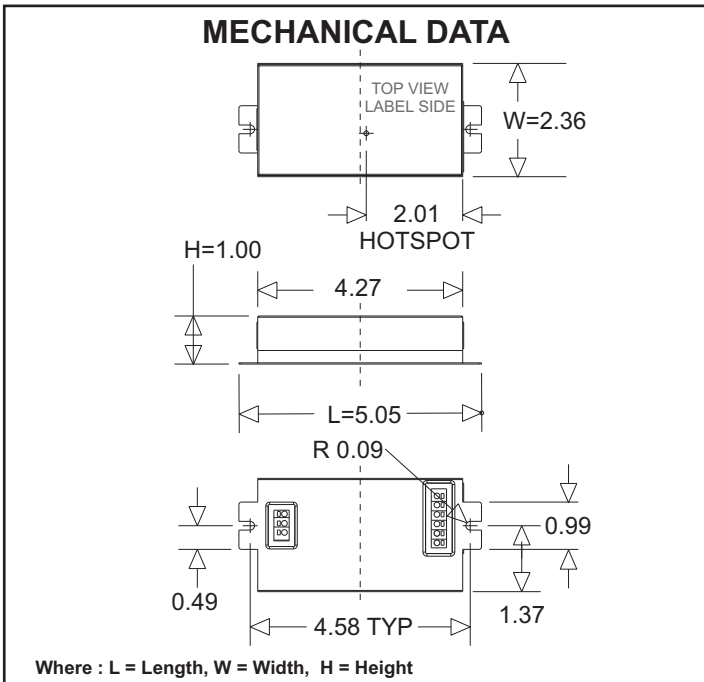
**TRIPLE(CFTR/E)
13W**



2D10/16W

ELECTRICAL DATA (With 277 Volt Application)

INPUT VOLT: 277 ± 10%, 50/60Hz											
LAMP WATTS/TYPE	7CFT/E	9CFT/E	13CFQ/E	13CFTR/E	2D10W	2D16W	7CFT/E	9CFT/E	13CFQ/E	13CFTR/E	2D10W
LAMPS OPERATED	1					2					
INPUT WATTS	9.91	11.89	17.65	16.21	13.43	17.84	16.58	20.56	32.09	29.17	24.04
LINE CURRENT:	0.042	0.048	0.068	0.063	0.005	0.069	0.064	0.078	0.119	0.108	0.090
POWER FACTOR	0.856	0.888	0.939	0.929	0.902	0.937	0.933	0.951	0.976	0.972	0.961
BALLAST FACTOR	0.934	1.001	1.047	0.957	0.931	0.900	0.908	0.980	1.035	0.925	0.965
EFFICACY FACTOR	9.421	8.423	5.934	5.901	6.948	5.998	5.477	4.766	3.225	3.171	4.012
THD	< 20 %						< 15 %		< 10 %		< 15 %
CURRENT CREST FACTOR	< 1.7										
EMI/RFI COMPLIANCE	FCC PART 18-B (Consumer)										
SOUND RATING	" A "										
BALLAST TYPE	PROGRAMMED START										
VOLTAGE TRANSIENTS	MOV (ANSI C82.11)										
INPUT/PROTECTION	FUSE										
OUTPUT/PROTECTION	OPEN LAMP, SHORTED LAMP, END-OF-LIFE										
MIN. OPERATING TEMP	-30 °C (-22 °F)										
MAX. CASE TEMP	90 °C (194 °F) SEE FOOT NOTE WARRANTY										
TYPE "CC" APPROVED	APPROVED										
APPROVALS/CLASS	UL /cUL LISTED, CLASS " P ", 1 OUTDOOR										
REMOTE MOUNTING	18 FT MAX.										



Fulham Co., Inc extends limited warranty only to the original purchaser or to the first user for the period of **3 years @ 90° C & 5 years @ 75° C** from the date of manufacture as indicated by the date code stamped on each product and when properly installed and under normal conditions of use. For additional warranty guide line, please refer to our Complete Product Catalog OR call Customer Service at 1-323-599-5000.

DUE TO A PROGRAM OF CONTINUOUS IMPROVEMENT, FULHAM Co., INC RESERVES THE RIGHT TO MAKE ANY VARIATION IN DESIGN OR CONSTRUCTION TO THE EQUIPMENT DESCRIBED.

Address : 12705 South Van Ness Ave., Hawthorne, CA 90250 Tel.: 1-323-599-5000, Fax.: 1-323-754-9060. Website: www.fulham.com