

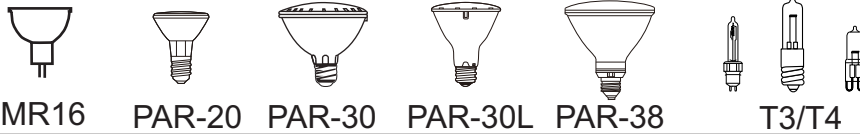


## SPECIFICATION SHEET : PET-120-12-300W-L

This Is An Original Product From Fulham Co., Inc

**Description : PONY ET Series, High Frequency Electronic, Short Circuit, Over Load &, Thermal Protection. Dimming Capability.**

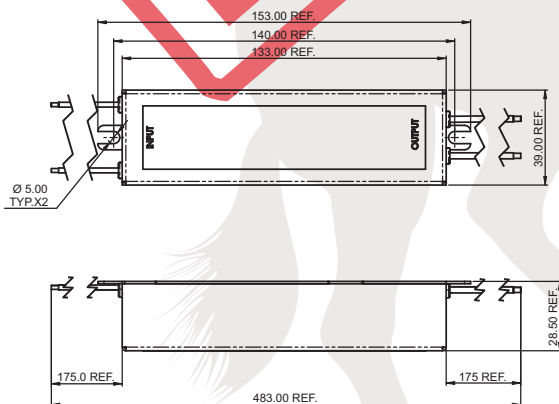
**This Ballast Will Operate Following Lamps with max load of 300W.**



### ELECTRICAL DATA

INPUT VOLT: 120V ± 10%, 50/60Hz	
LAMPS OPERATED	HALOGEN TYPE LAMP
MAX LOAD	300W MAX.
MINI LOAD	50W MINI
INPUT CURRENT @ MAX LOAD:	2.5 AMP
OUTPUT CURRENT @ MAX LOAD:	24.4 AMP
POWER FACTOR	0.982
MAX. HARMONIC DISTORTION	< 11.0 %
MIN LOAD W/O DIMMER	20W
MIN LOAD WITH DIMMER	50W
EMI/RFI COMPLIANCE	FCC PART 18-A (Non-Consumer)
SOUND RATING	" A "
DIMMER CAPABILITY	YES
AUTO-RESET THERMAL CUTOFF @125C	YES
SHORT CIRCUIT/OVERLOAD PROTECTION	YES
VOLTAGE TRANSIENTS	ANSI 62.41
PROTECTION	AUTO RESET
MIN. OPERATING TEMP	35 °C
MAX. CASE TEMP	90 °C ( 194 ° F )
APPROVALS/CLASS	UR /cUR RECOGNIZED COMPONENT

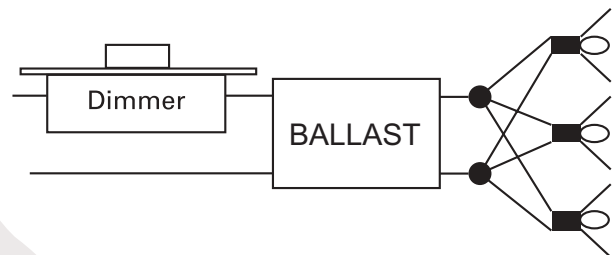
### MECHANICAL DATA



Where : L = Length, W = Width, H = Height

### WIRING DIAGRAMS

WIRE	BLACK	WHITE	RED	BLUE	YELLOW	BROWN
LENGTH - INCHES	6 ± 1"	6 ± 1"		6 ± 1"		



Fulham Co., Inc extends limited warranty only to the original purchaser or to the first user for the period of 2 years from the date of manufacture as indicated by the date code stamped on each product and when properly installed and under normal conditions of use. For additional warranty guide line, please refer to our Complete Product Catalog OR call Customer Service at 1-323-599-5000.

DUE TO A PROGRAM OF CONTINUOUS IMPROVEMENT, FULHAM Co., INC RESERVES THE RIGHT TO MAKE ANY VARIATION IN DESIGN OR CONSTRUCTION TO THE EQUIPMENT DESCRIBED.

Address : 12705 South Van Ness Ave., Hawthorne, CA 90250 Tel.: 1-323-599-5000, Fax.: 1-323-754-9060. Website: [www.fulham.com](http://www.fulham.com)

2011-258 rev