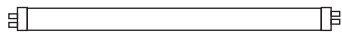


## SPECIFICATION SHEET : NPY-120-232-LT8

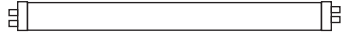
This Is An Original Product From Fulham Co., Inc

**Description : PONY Series, High Frequency Electronic, Rapid Start Ballast,**  
\* Meets Energy Star 4.0 Criteria For Applications Listed.

**This Ballast Will Operate Following Lamps.**



**F25T8 / F32T8**

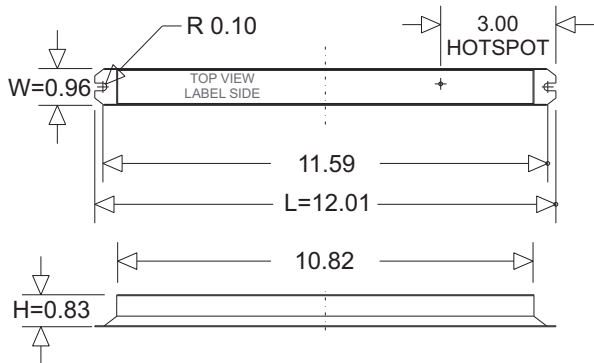


**F25T12 / F30T12 / F34T12 / F40T12**

### ELECTRICAL DATA

INPUT VOLT: 120V ± 10% , 50/60Hz							
LAMP WATTS/TYPE	F32T8	* F25T8	* F32T8	F25T12	F30T12	F34T12	F40T12
LAMPS OPERATED	1	2					
INPUT WATTS	37	55	65	44	51	52	58
LINE CURRENT:	0.59	0.84	0.97	0.69	0.78	0.80	0.88
POWER FACTOR	> .50						
BALLAST FACTOR	1.22	1.19	1.07	0.99	0.96	0.85	0.84
EFFICACY FACTOR	3.29	2.16	1.64	2.23	1.88	1.65	1.44
THD	149%	133%	125%	144%	136%	138%	132%
CURRENT CREST FACTOR	< 1.7						
EMI/RFI COMPLIANCE	FCC PART 18 B (CONSUMER)						
SOUND RATING	" A "						
BALLAST TYPE	RAPID START						
VOLTAGE TRANSIENTS	ANSI 62.41						
INPUT/PROTECTION	FUSE						
OUTPUT/PROTECTION	EOL						
MIN. OPERATING TEMP	-20 °C ( -4 °F )						
MAX. CASE TEMP	75 °C ( 167 °F )						
TYPE	"CC" AND "HL" APPROVED						
ENERGY STAR 4.0	* YES						
APPROVALS/CLASS	UL /cUL LISTED, CLASS " P ", 1 OUTDOOR						

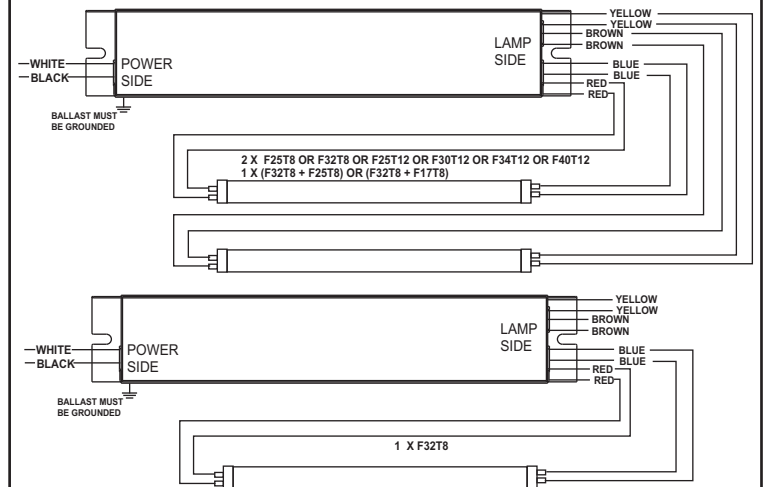
### MECHANICAL DATA



Where : L = Length, W = Width, H = Height

### WIRING DIAGRAMS

WIRE	BLACK	WHITE	RED	BLUE	YELLOW	BROWN
LENGTH - INCHES	12 ± 1"	12 ± 1"	36 ± 1"	36 ± 1"	36 ± 1"	36 ± 1"



**NOTE : This Ballast Case Must Be Grounded**

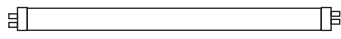
Fulham extends a limited warranty only to the original purchaser or to the first user for a period of 2 years from the date of manufacture when properly installed and operated under normal conditions of use. For complete terms and conditions, please reference the Fulham product catalog ([www.fulham.com](http://www.fulham.com))  
**Due to a program of continuous improvement, Fulham reserves the right to make modifications or variations in design or construction to the equipment described.**

## SPECIFICATION SHEET : NPY-120-232-LT8

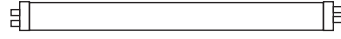
This Is An Original Product From Fulham Co., Inc

**Description : PONY Series, High Frequency Electronic, Rapid Start Ballast,**  
**\* Meets Energy Star 4.0 Criteria For Applications Listed.**

**This Ballast Will Operate Following Lamps.**



**F17T8/F25T8 / F32T8**

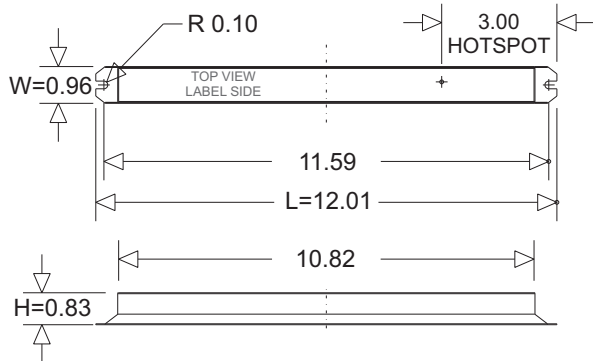


**F25T12 / F30T12 / F34T12 / F40T12**

### ELECTRICAL DATA

INPUT VOLT: 120V ± 10% , 50/60Hz					
LAMP WATTS/TYPE	F32T8 + F17T8		F32T8 + F25T8		
LAMPS OPERATED	1 OF EACH		1 OF EACH		
INPUT WATTS	55		60		
LINE CURRENT:	0.84		0.91		
POWER FACTOR	> .50				
BALLAST FACTOR	1.13	1.27	1.10	1.12	
EFFICACY FACTOR	2.06	2.31	1.83	1.87	
THD	133%		130%		
CURRENT CREST FACTOR	< 1.7				
EMI/RFI COMPLIANCE	FCC PART 18 B (CONSUMER)				
SOUND RATING	" A "				
BALLAST TYPE	RAPID START				
VOLTAGE TRANSIENTS	ANSI 62.41				
INPUT/PROTECTION	FUSE				
OUTPUT/PROTECTION	EOL				
MIN. OPERATING TEMP	-20 °C ( -4 °F )				
MAX. CASE TEMP	75 °C ( 167 °F )				
TYPE	"CC" AND "HL" APPROVED				
ENERGY STAR 4.0	* YES				
APPROVALS/CLASS	UL /cUL LISTED, CLASS " P ", 1 OUTDOOR				

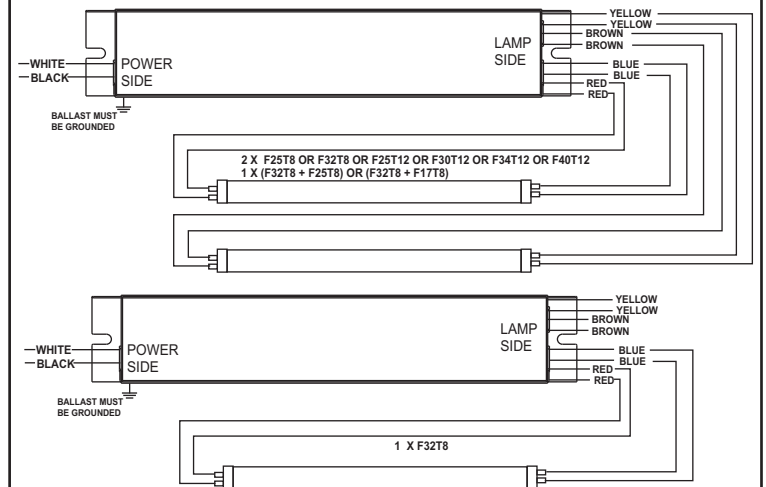
### MECHANICAL DATA



Where : L = Length, W = Width, H = Height

### WIRING DIAGRAMS

WIRE	BLACK	WHITE	RED	BLUE	YELLOW	BROWN
LENGTH - INCHES	12 ± 1"	12 ± 1"	36 ± 1"	36 ± 1"	36 ± 1"	36 ± 1"



**NOTE : This Ballast Case Must Be Grounded**

Fulham Co., Inc extends limited warranty only to the original purchaser or to the first user for the period of 2 years from the date of manufacture as indicated by the date code stamped on each product and when properly installed and under normal conditions of use. For additional warranty guide line, please refer to our Complete Product Catalog OR call Customer Service at 1-323-599-5000.

DUE TO A PROGRAM OF CONTINUOUS IMPROVEMENT, FULHAM Co., INC RESERVES THE RIGHT TO MAKE ANY VARIATION IN DESIGN OR CONSTRUCTION TO THE EQUIPMENT DESCRIBED.

Address : 12705 South Van Ness Ave., Hawthorne, CA 90250 Tel.: 1-323-599-5000, Fax.: 1-323-754-9060. Website: [www.fulham.com](http://www.fulham.com) 2006-75-2 rev E