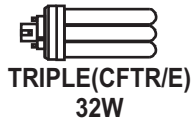


## SPECIFICATION SHEET : NPY-120-132-CFL

This Is An Original Product From Fulham Co., Inc

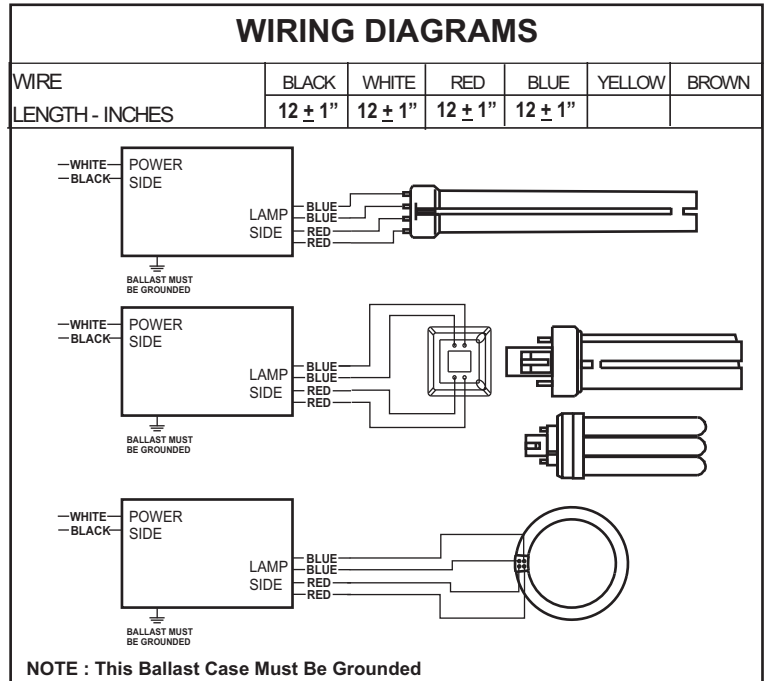
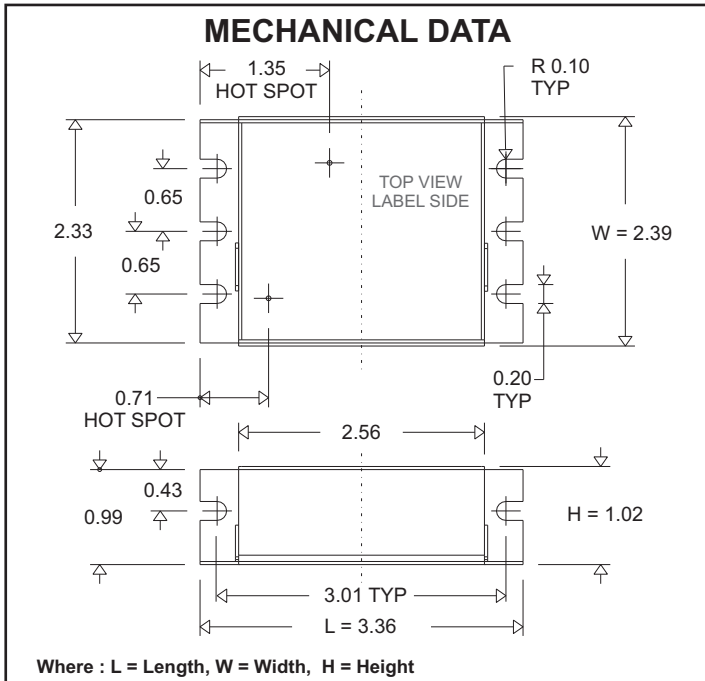
**Description : PONY Series, High Frequency Electronic, Rapid Start Ballast,  
\* Meets Energy Star 4.0 Criteria For Applications Listed.**

**This Ballast Will Operate Following Lamps.**



### ELECTRICAL DATA

INPUT VOLT: 120V ± 10%, 50/60Hz									
LAMP WATTS/TYPE	*36/39CFTE/E	32CFTR/E	32CRT9	-	-	-	-	-	-
LAMPS OPERATED	1	1	1						
INPUT WATTS	34.820	32.700	32.780						
LINE CURRENT:	0.519	0.480	0.473						
POWER FACTOR	0.559	0.566	0.572						
BALLAST FACTOR	0.950	0.885	1.083						
EFFICACY FACTOR	2.730	2.708	3.304						
THD	139.37	139.37	137.06						
CURRENT CREST FACTOR	< 1.7								
EMI/RFI COMPLIANCE	FCC PART 18-B (Consumer)								
SOUND RATING	" A "								
BALLAST TYPE	RAPID START								
VOLTAGE TRANSIENTS	ANSI 62.41								
INPUT/PROTECTION	FUZE								
OUTPUT/PROTECTION	EOL								
MIN. OPERATING TEMP	0 °C ( 32 °F )								
MAX. CASE TEMP	75 °C ( 167 °F )								
ENERGY STAR 4.0	YES								
APPROVALS/CLASS	UL /cUL LISTED, CLASS " P ", 1 OUTDOOR								



Fulham extends a limited warranty only to the original purchaser or to the first user for a period of 2 years from the date of manufacture when properly installed and operated under normal conditions of use. For complete terms and conditions, please reference the Fulham product catalog ([www.fulham.com](http://www.fulham.com))  
**Due to a program of continuous improvement, Fulham reserves the right to make modifications or variations in design or construction to the equipment described.**