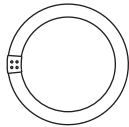


SPECIFICATION SHEET : NPY-120-126-CR

This Is An Original Product From Fulham Co., Inc

Description : PONY Series, High Frequency Electronic, Rapid Start Ballast,
*** Meets Energy Star 4.0 Criteria For Applications Listed.**

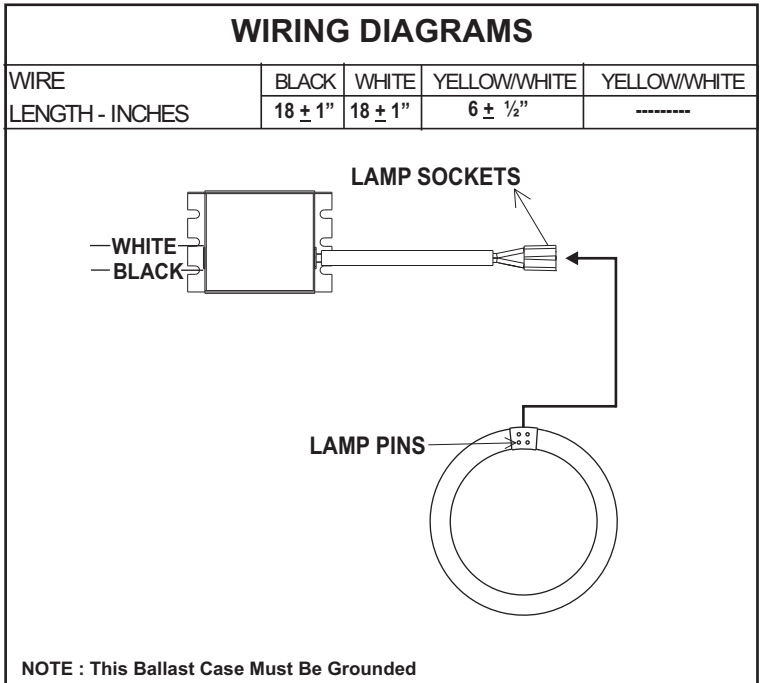
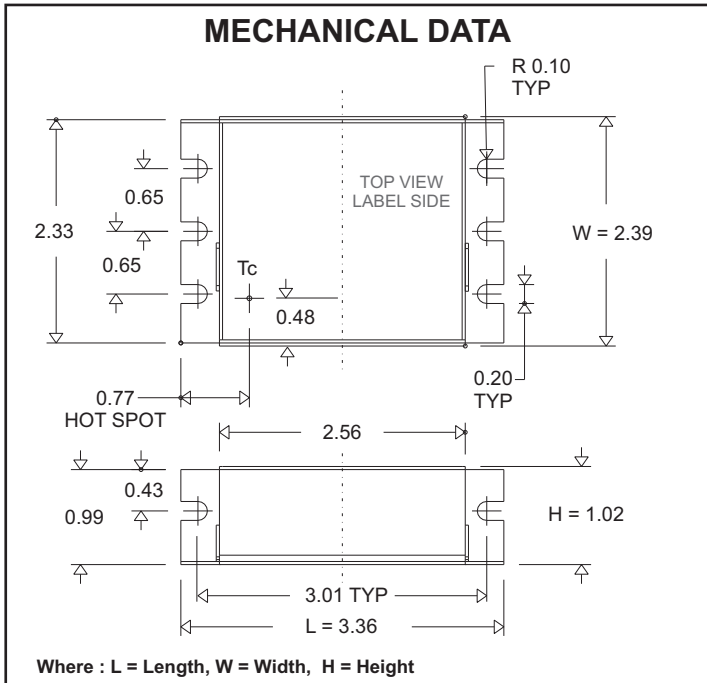
This Ballast Will Operate Following Lamps.



FC8T9-22W

ELECTRICAL DATA

INPUT VOLT: 120V ± 10%, 50/60Hz									
LAMP WATTS/TYPE	* FC8T9-22W	-	-	-	-	-	-	-	-
LAMPS OPERATED	1								
INPUT WATTS	22.07								
LINE CURRENT:	0.351								
POWER FACTOR	0.524								
BALLAST FACTOR	1.229								
EFFICACY FACTOR	5.569								
THD	156.80								
CURRENT CREST FACTOR	< 1.7								
EMI/RFI COMPLIANCE	FCC PART 18-B (Consumer)								
SOUND RATING	" A "								
BALLAST TYPE	RAPID START								
VOLTAGE TRANSIENTS	ANSI 62.41								
INPUT/PROTECTION	FUSE								
OUTPUT/PROTECTION	EOL								
MIN. OPERATING TEMP	0 °C (32 ° F)								
MAX. CASE TEMP	85 °C (185 ° F)								
ENERGY STAR 4.0	YES								
APPROVALS/CLASS	UL /cUL LISTED, CLASS " P ", 1 OUTDOOR								



Fulham extends a limited warranty only to the original purchaser or to the first user for a period of 2 years from the date of manufacture when properly installed and operated under normal conditions of use. For complete terms and conditions, please reference the Fulham product catalog (www.fulham.com)
Due to a program of continuous improvement, Fulham reserves the right to make modifications or variations in design or construction to the equipment described.