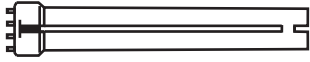


SPECIFICATION SHEET : **NPY-120-126-BLS**

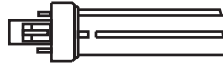
This Is An Original Product From Fulham Co., Inc

**Description : PONY Series, High Frequency Electronic, Rapid Start Ballast,
* Meets Energy Star 4.0 Criteria For Applications Listed.**

This Ballast Will Operate Following Lamps.



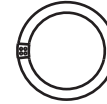
TWIN(CFTE)
18W, 24/27W



QUAD(CDQ/E)
26W



TRIPLE(CFTR/E)
26W

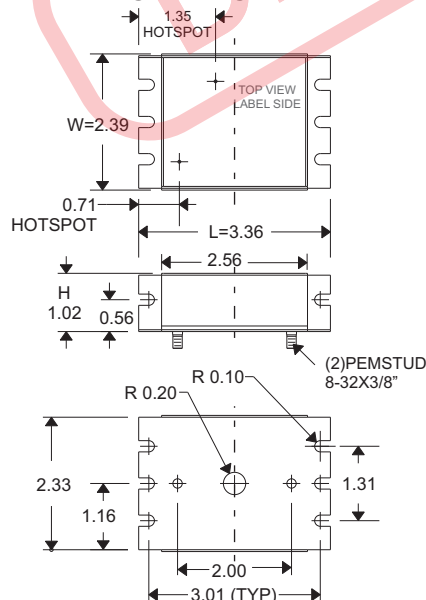


CIRCLINE
(FC8T9) 22W

ELECTRICAL DATA

INPUT VOLT: 120V ± 10%, 50/60Hz										
LAMP WATTS/TYPE	*18CFT/E	*24/27CFT/E	*26CFQ/E	*26CFTR/E	*32CFTR/E	22CRT9	-	-	-	-
LAMPS OPERATED	1	1	1	1	1	1				
INPUT WATTS	20.200	26.960	26.980	26.360	31.910	22.070				
LINE CURRENT:	0.321	0.395	0.401	0.399	0.448	0.351				
POWER FACTOR	0.521	0.565	0.559	0.550	0.577	0.524				
BALLAST FACTOR	1.039	1.046	1.002	0.945	0.842	1.038				
EFFICACY FACTOR	5.140	3.879	3.534	3.584	2.698	4.703				
THD	161.87	141.47	141.30	147.87	135.17	156.80				
CURRENT CREST FACTOR	< 1.7									
EMI/RFI COMPLIANCE	FCC PART 18-B (Consumer)									
SOUND RATING	" A "									
BALLAST TYPE	RAPID START									
VOLTAGE TRANSIENTS	ANSI 62.41									
INPUT/PROTECTION	FUSE									
OUTPUT/PROTECTION	EOL									
MIN. OPERATING TEMP	0 °C (32 °F)									
MAX. CASE TEMP	85 °C (185 °F)									
ENERGY STAR 4.0	YES									
APPROVALS/CLASS	UL /cUL LISTED, CLASS " P ", 1 OUTDOOR									

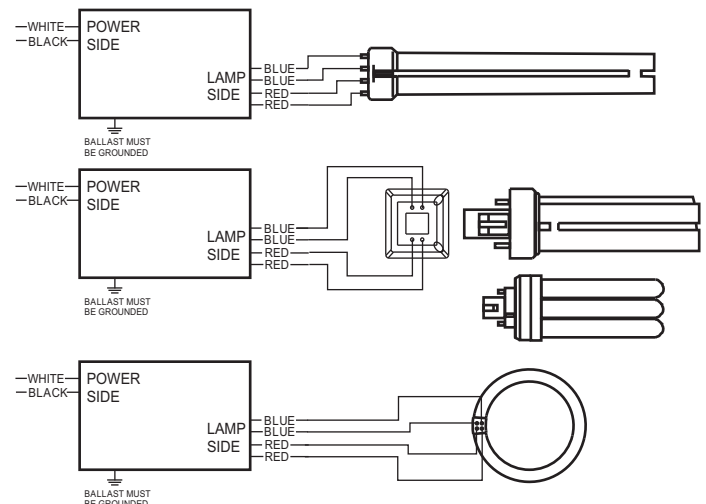
MECHANICAL DATA



Where : L = Length, W = Wid th, H = Height

WIRING DIAGRAMS

WIRE	BLACK	WHITE	RED	BLUE	YELLOW	BROWN
LENGTH - INCHES	12 ± 1"	12 ± 1"	12 ± 1"	12 ± 1"		



NOTE : This Ballast Case Must Be Grounded