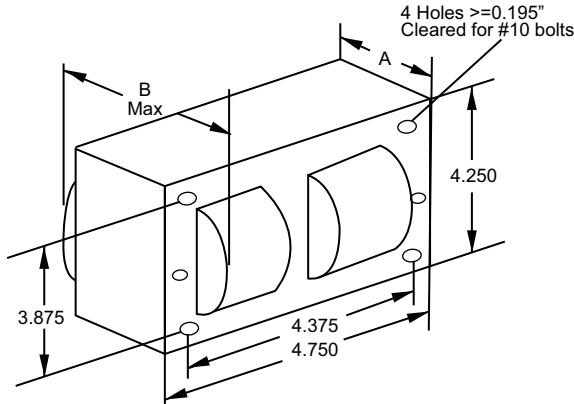


Mechanical Data:

4.25" X 4.75" Core



DIMENSION A
DIMENSION B
TOTAL WEIGHT
LEAD LENGTHS

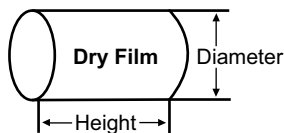
DIMENSION A	2.32 IN
DIMENSION B	4.26 IN
TOTAL WEIGHT	11.4 LBS
LEAD LENGTHS	12 IN

Electrical Data:

INPUT VOLTS
MIN. STARTING TEMP
POWER FACTOR (>%)
ANSI CODE
CIRCUIT TYPE
WATTS INPUT
NOM OPEN CIRCUIT VOLTAGE (V)
RECOMMENDED FUSE (AMPS)
REGULATION
LINE VOLTS
LAMP WATTS
INPUT VOLTAGE AT LAMP DROPOUT
LINE CURRENT (AMPS)
OPERATING
OPEN CIRCUIT
STARTING
UL TEMPERATURE RATINGS
180° CLASS H
COIL TEMPERATURE CODE
CAPACITOR REQUIREMENT
MFD
MIN VOLT
IGNITOR
PART NUMBER
MAX DIST TO LAMP
HIGH POTENTIAL TEST (V)
OPEN CIRCUIT VOLTAGE TEST (VOLTS)
SHORT CIRCUIT CURRENT TEST (AMPS)
COIL MATERIAL

	120	208	240	277	480	
MIN. STARTING TEMP	-20°F/-30°C					
POWER FACTOR (>%)	90%					
ANSI CODE	400W, M-59					
CIRCUIT TYPE	CWA					
WATTS INPUT	452					
NOM OPEN CIRCUIT VOLTAGE (V)	300					
RECOMMENDED FUSE (AMPS)	12	8	6	6	4	
REGULATION	±10%					
LINE VOLTS	±10%					
LAMP WATTS	±10%					
INPUT VOLTAGE AT LAMP DROPOUT	65	110	130	160	270	
LINE CURRENT (AMPS)						
OPERATING	4.0	2.3	2.0	1.8	1.0	
OPEN CIRCUIT	2.9	1.7	1.5	1.2	0.7	
STARTING	2.9	1.7	1.5	1.1	0.7	
UL TEMPERATURE RATINGS						
180° CLASS H	B	B	C	C	C	
COIL TEMPERATURE CODE	1029					
CAPACITOR REQUIREMENT						
MFD	24mF					
MIN VOLT	360V					
IGNITOR						
PART NUMBER	N/A					
MAX DIST TO LAMP	50FT					
HIGH POTENTIAL TEST (V)	1 MIN: 2000, 1 SEC: 2400					
OPEN CIRCUIT VOLTAGE TEST (VOLTS)	280 - 330					
SHORT CIRCUIT CURRENT TEST (AMPS)						
SECONDARY	MIN	3.2				
	MAX	5.0				
INPUT	MIN	1.1	0.7	0.6	0.5	0.3
	MAX	3.3	2.0	1.7	1.5	0.9
COIL MATERIAL	Cu/Al					

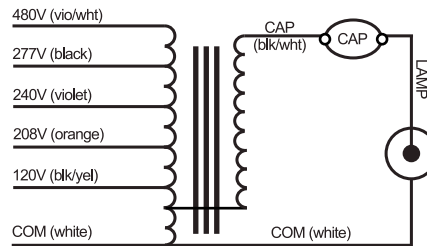
Capacitor: HHMHDCAP5400 (Dry Type)



Diameter 1.78"
Height 3.15"

24µF 360V

Wiring Diagram:



LEAD LENGTH (INCHES):
12

Options:

Basic Ballast Kit includes Ballast, Dry Capacitor, and Mounting Hardware only.
HID Ballast and Lamp Kits also available; please see website www.fulham.com