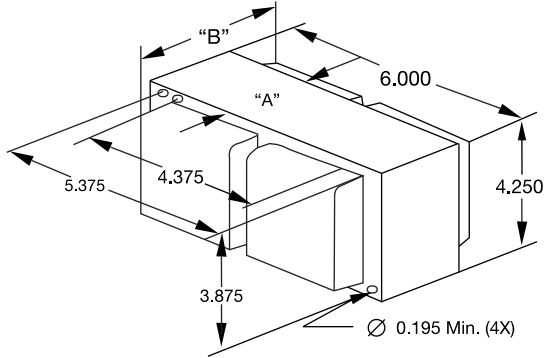


Mechanical Data:

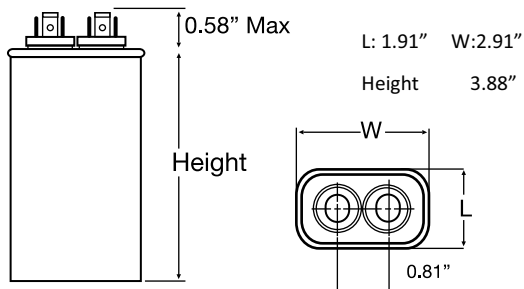
4.25" X 6.0" Core



DIMENSION A
DIMENSION B
TOTAL WEIGHT
LEAD LENGTHS

DIMENSION A	3.25 IN
DIMENSION B	5.19 IN
TOTAL WEIGHT	19.9 LBS
LEAD LENGTHS	12 IN

Capacitor: HHMHWCAP51000 (Oil Oval Type)



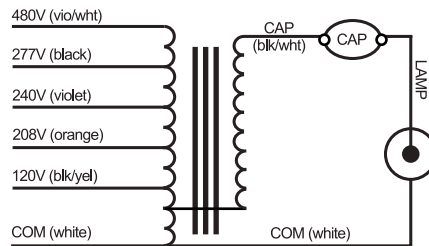
24µF 480V

Electrical Data:

INPUT VOLTS
MIN. STARTING TEMP
POWER FACTOR (>%)
ANSI CODE
CIRCUIT TYPE
WATTS INPUT
NOM OPEN CIRCUIT VOLTAGE (V)
RECOMMENDED FUSE (AMPS)
REGULATION
LINE VOLTS
LAMP WATTS
INPUT VOLTAGE AT LAMP DROPOUT
LINE CURRENT (AMPS)
OPERATING
OPEN CIRCUIT
STARTING
UL TEMPERATURE RATINGS
180° CLASS H
COIL TEMPERATURE CODE
CAPACITOR REQUIREMENT
MFD
MIN VOLT
IGNITOR
PART NUMBER
MAX DIST TO LAMP
HIGH POTENTIAL TEST (V)
OPEN CIRCUIT VOLTAGE TEST (VOLTS)
SHORT CIRCUIT CURRENT TEST (AMPS)
COIL MATERIAL

	120	208	240	277	480		
MIN. STARTING TEMP	-20°F/-30°C						
POWER FACTOR (>%)	90%						
ANSI CODE	1000W, M-47						
CIRCUIT TYPE	CWA						
WATTS INPUT	1087						
NOM OPEN CIRCUIT VOLTAGE (V)	420						
RECOMMENDED FUSE (AMPS)	20	15	10	10	6		
REGULATION	±10%						
LINE VOLTS	±10%						
LAMP WATTS	±10%						
INPUT VOLTAGE AT LAMP DROPOUT	70	130	150	180	280		
LINE CURRENT (AMPS)	9.2	5.3	4.6	4.0	2.3		
OPERATING	4.0	2.4	2.1	1.9	1.1		
OPEN CIRCUIT	8.3	4.8	4.2	3.6	2.1		
STARTING							
UL TEMPERATURE RATINGS	D	C	C	B	C		
180° CLASS H							
COIL TEMPERATURE CODE	1029						
CAPACITOR REQUIREMENT	24mF						
MFD	480V						
MIN VOLT	N/A						
IGNITOR	50FT						
PART NUMBER	1 MIN: 2000, 1 SEC: 2400						
MAX DIST TO LAMP	340 - 470						
HIGH POTENTIAL TEST (V)	MIN 4.2						
OPEN CIRCUIT VOLTAGE TEST (VOLTS)	MAX 6.5						
SHORT CIRCUIT CURRENT TEST (AMPS)	SECONDARY						
	MIN	4.2					
	MAX	6.5					
	INPUT	MIN	3.0	1.7	1.5	1.3	0.7
		MAX	8.9	5.2	4.6	4.0	2.2
COIL MATERIAL	Cu/Al						

Wiring Diagram:



LEAD LENGTH (INCHES):
12

Options:

Basic Ballast Kit includes Ballast, Wet Capacitor, and Mounting Hardware only.
HID Ballast and Lamp Kits also available; please see website www.fulham.com