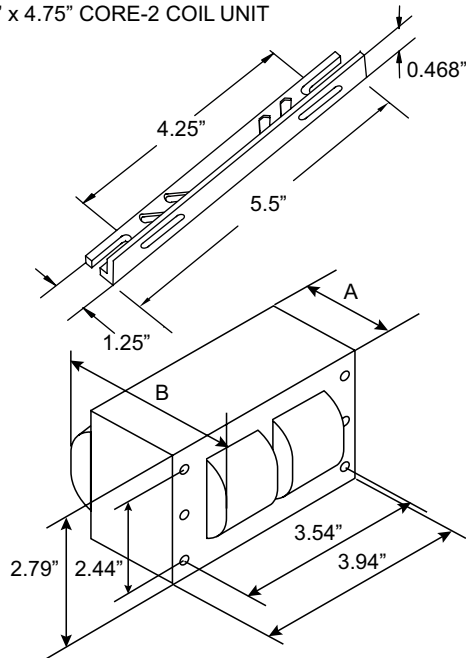


Mechanical Data:

4.25" x 4.75" CORE-2 COIL UNIT

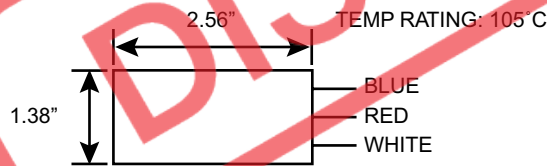


DIMENSION A	1.69 IN
DIMENSION B	3.00 IN
TOTAL WEIGHT	5.73 LBS
LEAD LENGTHS	12 IN
HARDWARE KIT: HH-MH-HDW2	CLAMP: HH-MH-IGCLMP
2 2" Thru-Bolts	4 Flat Washers
2 Lock Washers	2 Nuts

Electrical Data:

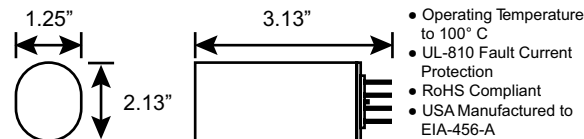
INPUT VOLTS	120	208	240	277
MINIMUM STARTING TEMPERATURE	-20°F or -30°C			
POWER FACTOR	90%			
ANSI CODE	100 WATT LAMP, M-90			
CIRCUIT TYPE	HX-HPF			
WATTS INPUT	121			
MAX INPUT CURRENT	1.15	0.64	0.55	0.48
NOM. OPEN CURRENT VOLTAGE	250			
RECOMMENDED FUSE (Amps)	3	2	2	2
REGULATION	±10%			
LINE VOLTS	±10%			
LAMPS WATTS	±10%			
INPUT WATTS AT LAMP DROPOUT	88	147	178	210
LINE CURRENT (AMPS)	OPERATING			
OPERATING	1.15	0.64	0.55	0.48
OPEN CIRCUIT	0.342	0.200	0.174	0.151
STARTING	0.940	0.536	0.470	0.410
UL TEMPERATURE RATINGS	D	D	E	D
INSULATION CLASS	H(180)			
COIL TEMPERATURE CODE	1029			
CAPACITOR REQUIREMENT	10uF			
MFD	280			
MIN VOLT	280			
IGNITOR	HHMH-IG70-150			
PART NUMBER	2 FT			
MAX DIST TO LAMP	1 MIN: 2000, 2 SEC: 2500			
60Hz TEST PROCEDURES	235-255			
HIGH POTENTIAL TEST (VOLTS)	1.25-1.65			
OPEN CIRCUIT VOLTAGE TEST (VOLTS)	3.25			
SHORT CIRCUIT CURRENT TEST (AMPS)	1.90	1.65	1.45	
SECONDARY CURRENT	INPUT CURRENT			

Ignitor:

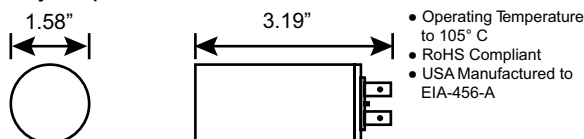


Capacitor:

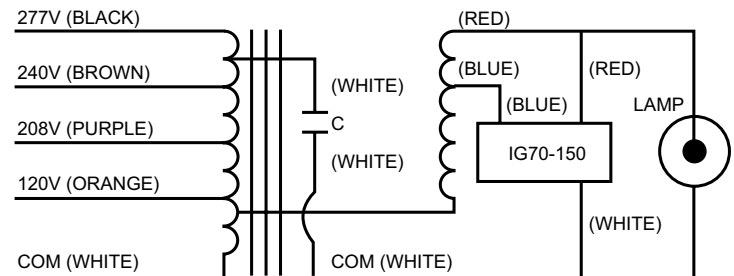
Wet Capacitor: HHMH-WCAP-100



Dry Capacitor: HHMH-DCAP-100



Wiring Diagram:



Options:

Basic Ballast Kit includes Ballast, Ignitor and Mounting Hardware only. For capacitor option, add Base Model No. and one Capacitor code:
D = Dry Kit: Ballast + Ignitor + Dry Capacitor + Mounting Hardware
W = Wet Kit: Ballast + Ignitor + Wet Capacitor + Mounting Hardware

HID Ballast and Lamp Kits also available; please see website www.fulham.com.