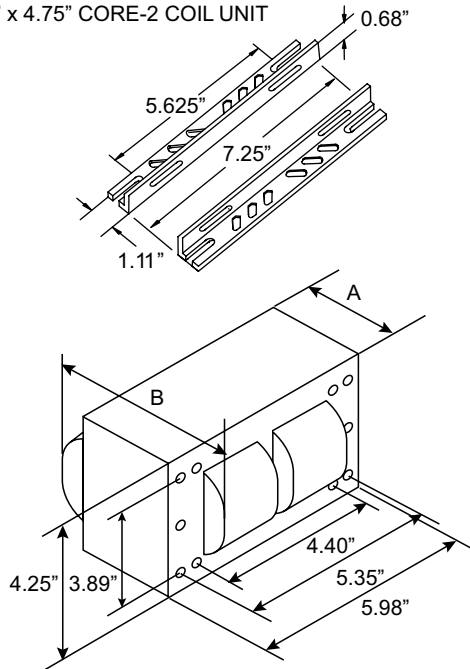


### Mechanical Data:

4.25" x 4.75" CORE-2 COIL UNIT

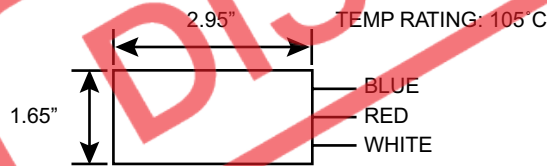


DIMENSION A	3.15 IN
DIMENSION B	5.12 IN
TOTAL WEIGHT	22.05 LBS
LEAD LENGTHS	12 IN
HARDWARE KIT: HH-MH-HDW5	CLAMP: HH-MH-IGCLMP
2 5" Thru-Bolts    4 Flat Washers	
2 Lock Washers    2 Nuts	

### Electrical Data:

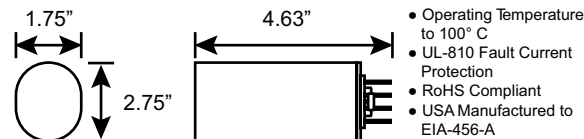
INPUT VOLTS	120	208	240	277
MINIMUM STARTING TEMPERATURE	-20°F or -30°C			
POWER FACTOR	90%			
ANSI CODE	600 WATT LAMP S-106			
CIRCUIT TYPE	CWA			
WATTS INPUT	1100			
MAX INPUT CURRENT	6.00	3.25	2.85	2.50
NOM. OPEN CURRENT VOLTAGE	230			
RECOMMENDED FUSE (Amps)	15	9	8	7
REGULATION	±10%			
LINE VOLTS	±10%			
LAMPS WATTS	±10%			
INPUT WATTS AT LAMP DROPOUT	64	71	148	150
LINE CURRENT (AMPS)				
OPERATING	6.00	3.25	2.85	2.50
OPEN CIRCUIT	2.83	1.75	1.58	1.40
STARTING	4.85	2.79	2.51	2.18
UL TEMPERATURE RATINGS	I	I	H	G
INSULATION CLASS	H(180)			
COIL TEMPERATURE CODE	1029			
CAPACITOR REQUIREMENT				
MFD	64µF			
MIN VOLT	300			
IGNITOR				
PART NUMBER	HH-HPS-IG600			
MAX DIST TO LAMP	2 FT			
60Hz TEST PROCEDURES				
HIGH POTENTIAL TEST (VOLTS)	1 MIN: 2000, 2 SEC: 2500			
OPEN CIRCUIT VOLTAGE TEST (VOLTS)	205-255			
SHORT CIRCUIT CURRENT TEST (AMPS)	7.40-9.00			
SECONDARY CURRENT				
INPUT CURRENT	4.15	2.35	2.00	1.65

### Ignitor:

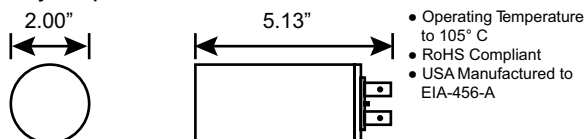


### Capacitor:

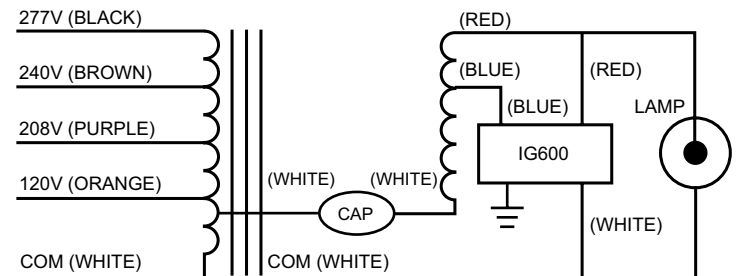
Wet Capacitor: HHHPS-WCAP-600



Dry Capacitor: HHHPS-DCAP-600



### Wiring Diagram:



### Options:

Basic Ballast Kit includes Ballast, Ignitor and Mounting Hardware only. For capacitor option, add Base Model No. and one Capacitor code:  
**D** = Dry Kit: Ballast + Ignitor + Dry Capacitor + Mounting Hardware  
**W** = Wet Kit: Ballast + Ignitor + Wet Capacitor + Mounting Hardware

HID Ballast and Lamp Kits also available; please see website [www.fulham.com](http://www.fulham.com).