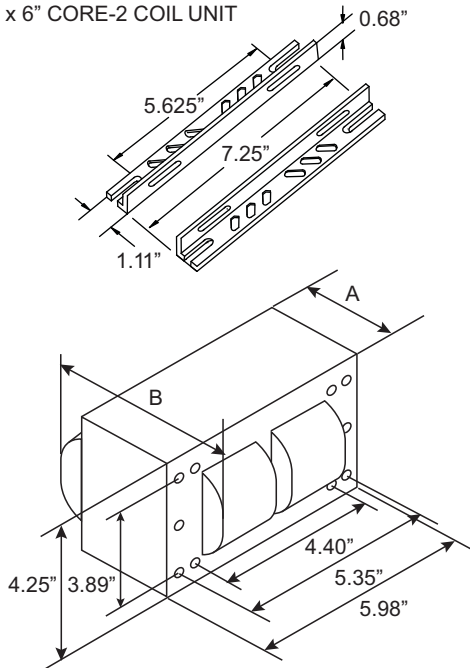


Mechanical Data:

4.25" x 6" CORE-2 COIL UNIT



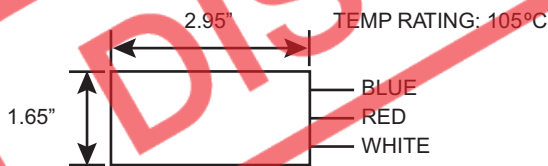
| | |
|--------------|-----------|
| DIMENSION A | 3.78 IN |
| DIMENSION B | 5.59 IN |
| TOTAL WEIGHT | 26.90 LBS |
| LEAD LENGTHS | 12 IN |

HARDWARE KIT: HH-MH-HDW5 CLAMP: HH-MH-IGCLMP
 2 5" Thru-Bolts 4 Flat Washers
 2 Lock Washers 2 Nuts

Electrical Data:

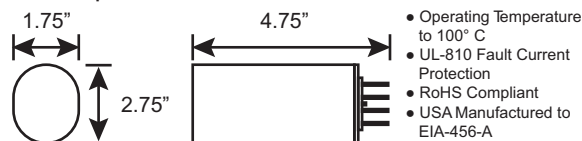
| | | | | |
|-----------------------------------|-----------------------------|------|------|------|
| INPUT VOLTS | 120 | 208 | 240 | 277 |
| MINIMUM STARTING TEMPERATURE | -20°F or -30°C | | | |
| POWER FACTOR | 90% | | | |
| ANSI CODE | 1000 WATT LAMP, S-52 | | | |
| CIRCUIT TYPE | CWA | | | |
| WATTS INPUT | 1100 | | | |
| MAX INPUT CURRENT | 9.50 | 5.50 | 4.75 | 4.15 |
| NOM. OPEN CURRENT VOLTAGE | 445 | | | |
| RECOMMENDED FUSE (Amps) | 24 | 14 | 12 | 11 |
| REGULATION | ±10% | | | |
| LINE VOLTS | ±10% | | | |
| LAMPS WATTS | ±10% | | | |
| INPUT WATTS AT LAMP DROPOUT | 80 | 125 | 131 | 138 |
| LINE CURRENT (AMPS) | OPERATING | | | |
| OPERATING | 9.50 | 5.50 | 4.75 | 4.15 |
| OPEN CIRCUIT | 4.80 | 2.73 | 2.40 | 2.20 |
| STARTING | 7.52 | 4.34 | 3.77 | 3.27 |
| UL TEMPERATURE RATINGS | B | D | D | D |
| INSULATION CLASS | H(180) | | | |
| COIL TEMPERATURE CODE | 1029 | | | |
| CAPACITOR REQUIREMENT | MFD | | | |
| MFD | 26µF | | | |
| MIN VOLT | 525 | | | |
| IGNITOR | PART NUMBER | | | |
| PART NUMBER | HH-HPS-IG1000 | | | |
| MAX DIST TO LAMP | 2 FT | | | |
| 60Hz TEST PROCEDURES | HIGH POTENTIAL TEST (VOLTS) | | | |
| HIGH POTENTIAL TEST (VOLTS) | 1 MIN: 2000, 2 SEC: 2500 | | | |
| OPEN CIRCUIT VOLTAGE TEST (VOLTS) | 405-485 | | | |
| SHORT CIRCUIT CURRENT TEST (AMPS) | 6.40-7.80 | | | |
| SECONDARY CURRENT | INPUT CURRENT | | | |
| INPUT CURRENT | 6.50 | 3.75 | 3.20 | 2.83 |

Ignitor:

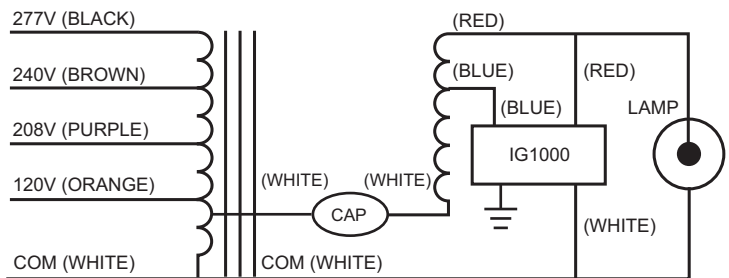


Capacitor:

Wet Capacitor: HHHPS-WCAP-1000



Wiring Diagram:



Options:

Basic Ballast Kit includes Ballast, Ignitor and Mounting Hardware only. For capacitor option, add Base Model No. and Capacitor code:

W = Wet Kit: Ballast + Ignitor + Wet Capacitor + Mounting Hardware

HID Ballast and Lamp Kits also available; please see website www.fulham.com.