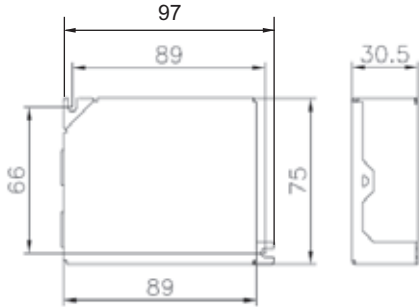


Mechanical Data:



CASE MATERIAL	ALUMINUM
CASE LENGTH	89mm, 3.5"
CASE WIDTH	75mm, 2.95"
HEIGHT	30.5mm, 1.20"
OVERALL LENGTH	97mm, 3.82"
MOUNTING LENGTH	89mm, 3.5"
WEIGHT	0.62 lbs

Hot Spot:



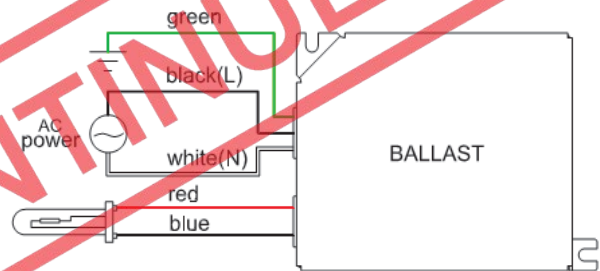
Electrical Data:

LAMP	1 LAMP, 20-22W MH
INPUT VOLTS	120
LINE CURRENT (AMPS)	0.21
INPUT POWER (WATTS)	25W
MIN POWER FACTOR	>0.98
MIN STARTING TEMPERATURE	-30°C/-20°F
THD	<15%
ANSI CODE	M156, C156, C175, M175
CCF	<1.5
EMI/RFI	FCC PART18 CLASS A, NON-CONSUMER
FREQUENCY	140-220 Hz
TYPE	1 OUTDOOR

Wiring Diagram:

WIRE LENGTH	BLACK	WHITE	RED	BLUE	GREEN
	9"	9"	9"	9"	9"

Bottom View, Side Leads



Ballast Case Must Be Grounded.

Installation & Application:

1. Maximum allowable case temperature is 85°C. See Hot Spot section for measurement location.
2. Ignition pulse is 4kV max.
3. Ballast output will shutdown after 25 minutes if lamp fails to ignite.
4. Power must be cycled off then on, after replacing lamp.
5. Do not install insulation above or within 3 inches of ballast sides
6. Can be remotely installed up to 12 feet from lamp.

Performance:

1. Short Circuit Operation Protection
2. Open Circuit Operation Protection
3. Ignitor Failure Protection
4. End of Lamp Life Protection