



Specification Sheet : FHS5-AR-6W-CL

Discontinued

Contact Fulham for availability. Not for use in new designs.

This is an original product from Fulham Co., Inc.

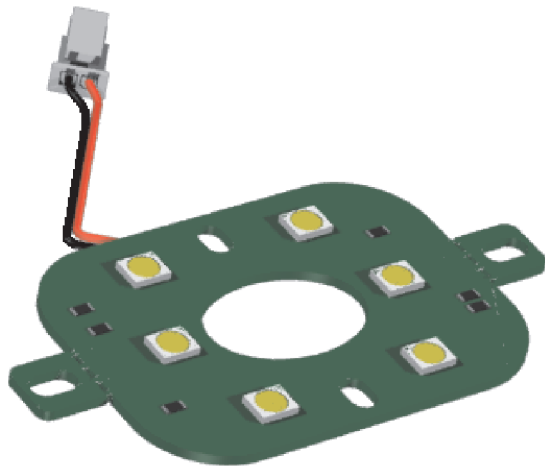
Description: Emergency LED Array, only to be operated with FHS1-UNV-3.6L

This LED Array Will Operate At The Following:

6W, 750 Lumens

Array:

LED Color Temperature: Pure White (6300K)



Wiring Data:

Lead Length - inches: 24"

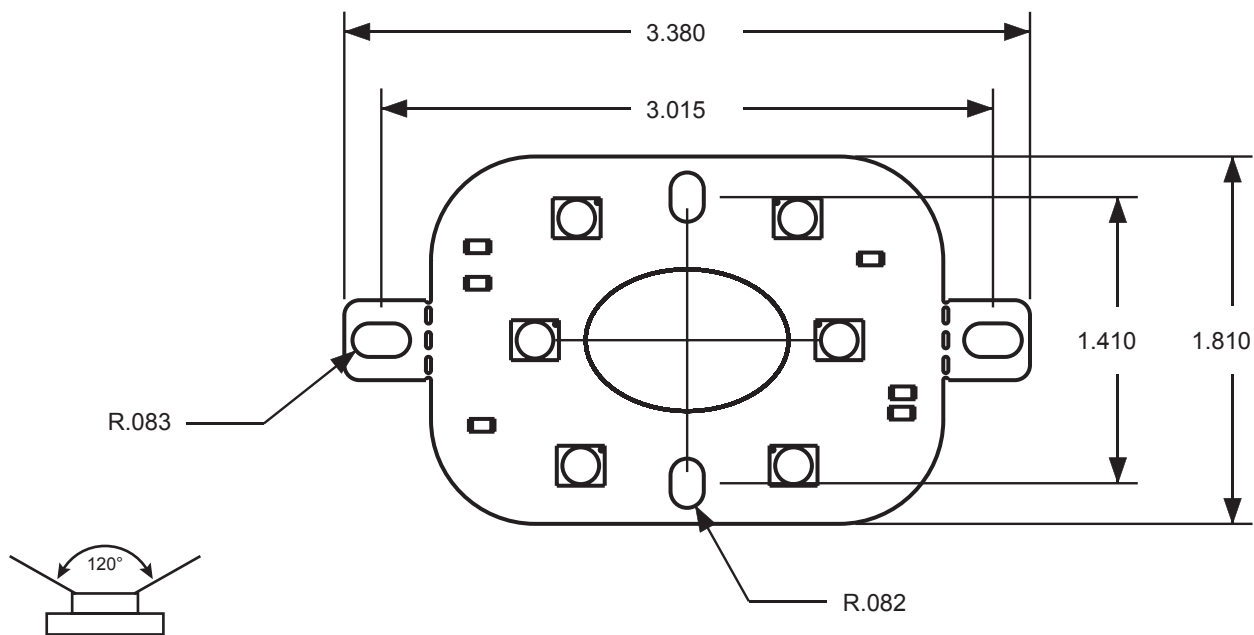
Battery Data:

Fulham Part #	Battery Pack	No. of LEDs	Run Time*
FHSBATT3-C3	3 C Cell	6	90 min.
FHSBATT3-D4	3 D Cell	6	110 min.
FHSBATT3-F7	3 F Cell	6	180 min.

* Run times are based on fully charged batteries.

CAUTION: Replace battery only with corresponding part number.

Mechanical Data:



Beam Angle (typical)

Fulham Co., Inc extends limited warranty only to the original purchaser or to the first user for the period of **5 years** from the date of manufacture as indicated by the date code stamped on each product and when properly installed and under normal conditions of use. For additional warranty guide line, please refer to our complete product catalog or call customer service at **1-323-599-5000**. DUE TO A PROGRAM OF CONTINUOUS IMPROVEMENT, FULHAM Co., INC RESERVES THE RIGHT TO MAKE ANY VARIATION IN DESIGN OR CONSTRUCTION TO THE EQUIPMENT DESCRIBED. **Data is based upon tests performed by Fulham in a controlled environment and representative of relative performance. Actual performance can vary depending on operating conditions.**
Address: 12705 S. Van Ness Ave., Hawthorne, CA 90250 **Website:** www.fulham.com **To order this product:** **Fax:** 1-323-754-9060 **Email:** order@fulham.com